

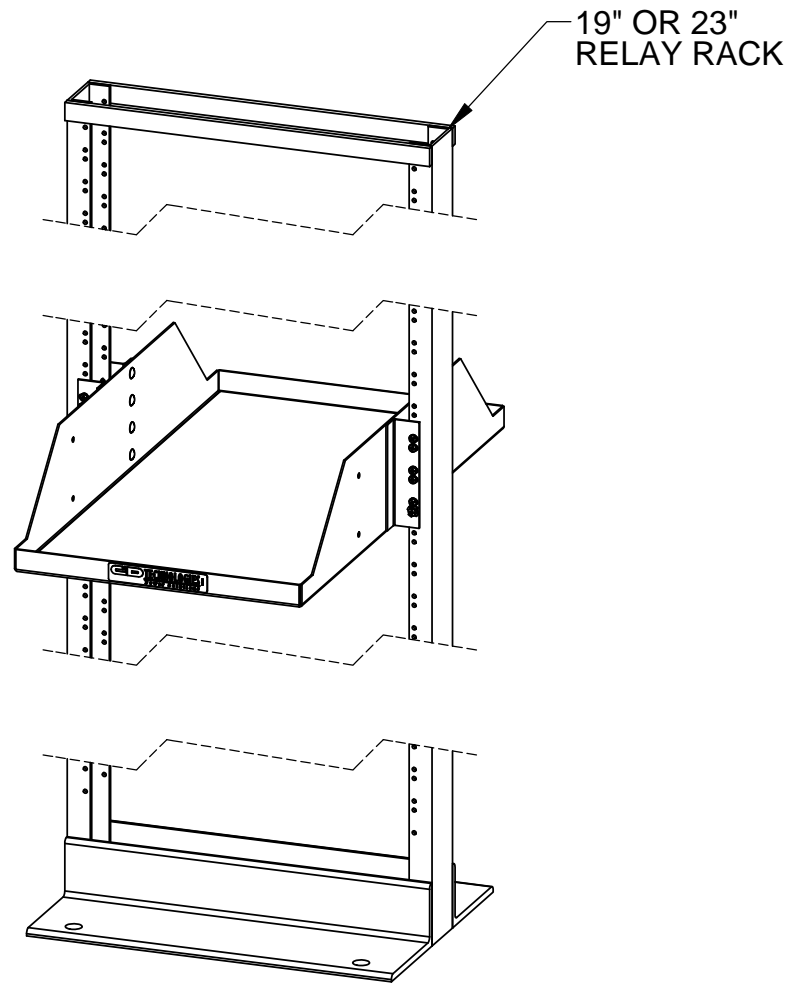
ED991-5002B1 Issue 2

A

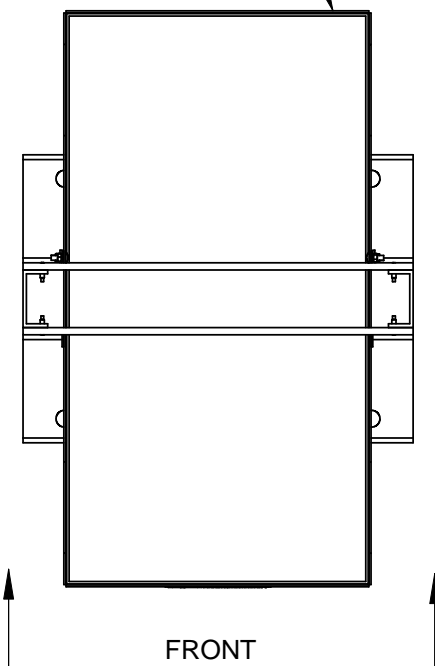
B

C

D



SIZE OF BATTERY TRAY MAY VARY



TOP VIEW

ITEM NO.	DESCRIPTION	QTY
0010	BATTERY TRAY	1
0020	BRACKET	2
0400	LABEL, CD LOGO	1
0500	BOLT, CARRIAGE	8
0501	LOCKWASHER, PAINT BREAK	2
0502	NUT	8
0503	SCREW	24
0504	LOCKWASHER, PAINT BREAK	4
1000	INSULATED RUBBER SHEET	1

BATTERY AND TRAY CONFIGURATION TABLE		
Battery	Battery tray Part #	Rack Size
TEL12-125	111.2019.02	19"
TEL12-125	111.2023.02	23"
TEL12-30 & TEL12-45	111.2019.1616	19"
TEL12-30 & TEL12-45	111.2023.1616	23"

NOTE:
1.) QUANTITY OF HARDWARE MAY VARY.

ISSUE

ISSUE	DESCRIPTION	Issue By Issue Date	App. By App. Date
1	SEE ECN 16443 Original release of documentation.	KEL 08/08/08	MCM 8/25/08
2	SEE ECN 17482	AMG 10/26/10	MCM 11/17/10
3	SEE ECN 17689. REMOVED 111.2019.1821 REFERENCE.	WD 4/27/11	MCM 5/2/11

UNLESS OTHERWISE SPECIFIED:		NAME	DATE
DIMENSIONS ARE IN INCHES			
TOLERANCES ARE:			
FRACTIONAL ± 1/32		DRAWN	K.E. LEWIS
ANGULAR: ± 1		CHECKED	MCM
ONE PLACE DECIMAL ± 0.04		ENG APPR.	DBW
TWO PLACE DECIMAL ± 0.02		MFG APPR.	
THREE PLACE DECIMAL ± 0.010			
HOLES +0.004 / -0.002			

PROPRIETARY INFORMATION

NOT TO BE COPIED, USED OR DISCLOSED
WITHOUT PRIOR WRITTEN PERMISSION
FROM UNIPOWER LLC

WORKMANSHIP:
PER SPEC ENG032

MATERIAL:

FINISH:



TITLE: BATTERY TRAY,
19" & 23" RELAY RACK MNT,
ASSEMBLY DOCUMENTATION

SIZE	DOC TYPE / NUMBER	ISSUE
B	PN 111-2025-XX	3

SCALE	SHEET	FILE
N/A	1 OF 2	PN111-2025-XX.SLDDRW

A

B

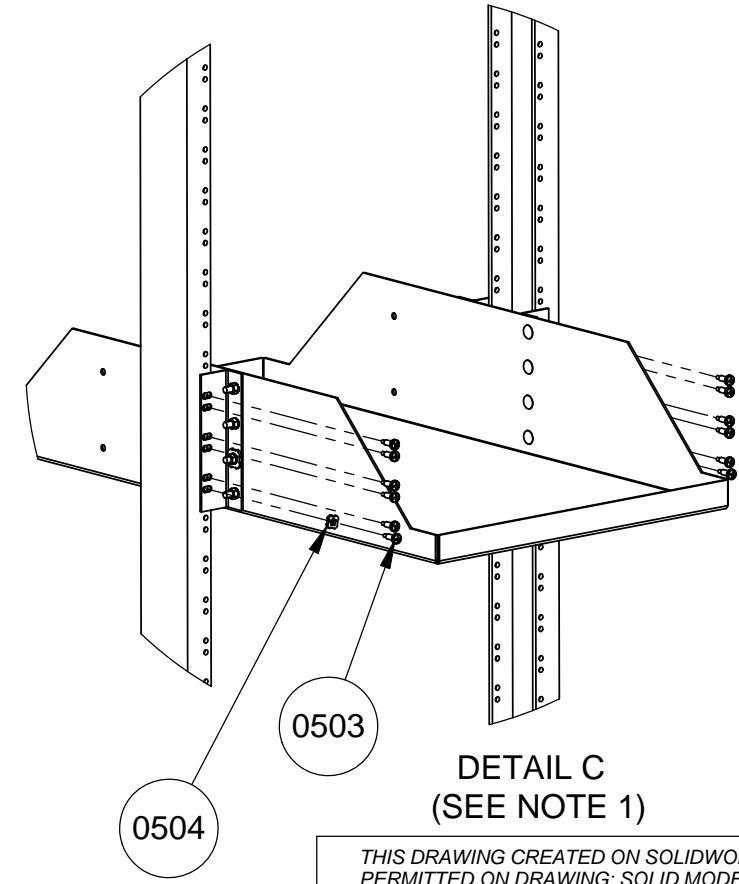
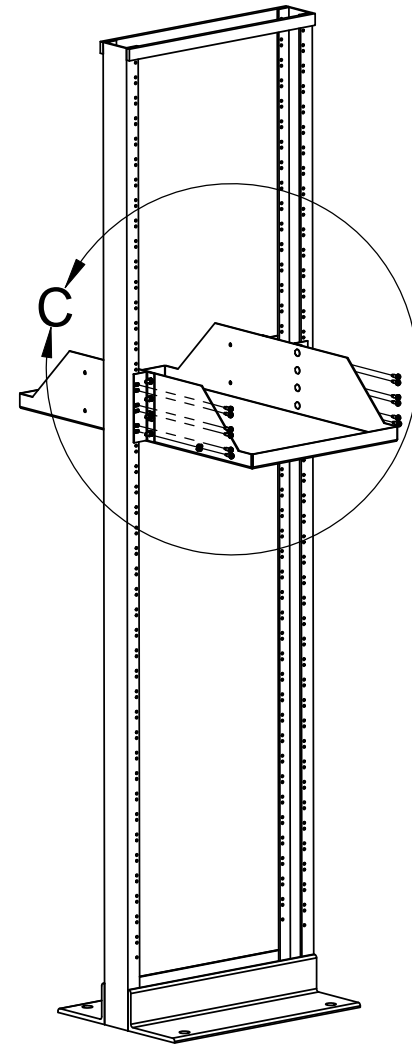
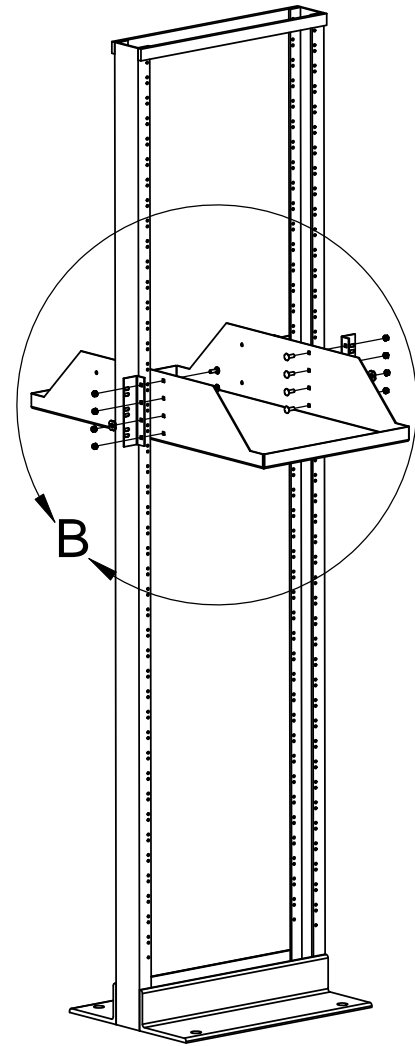
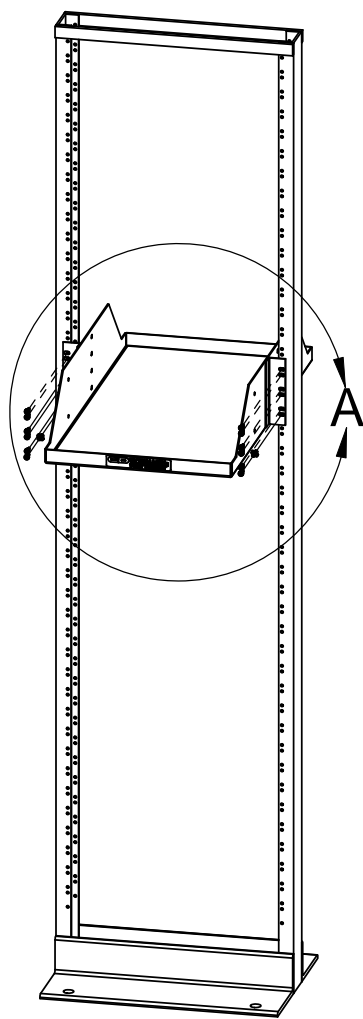
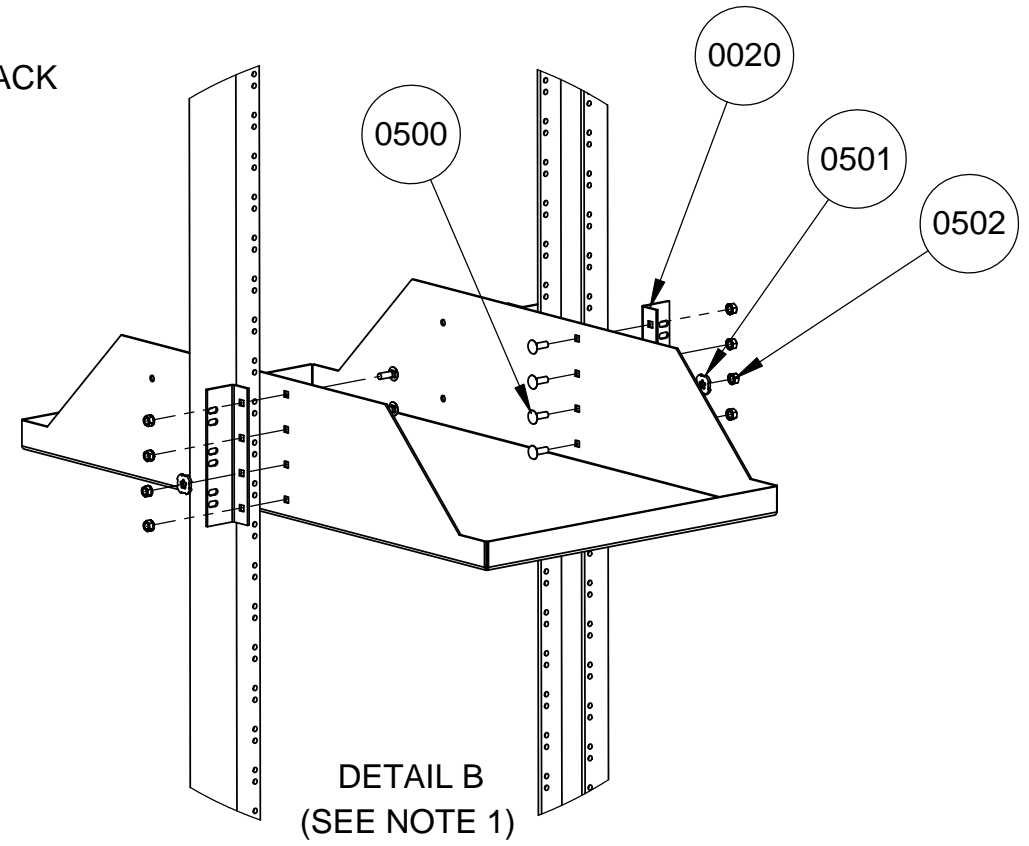
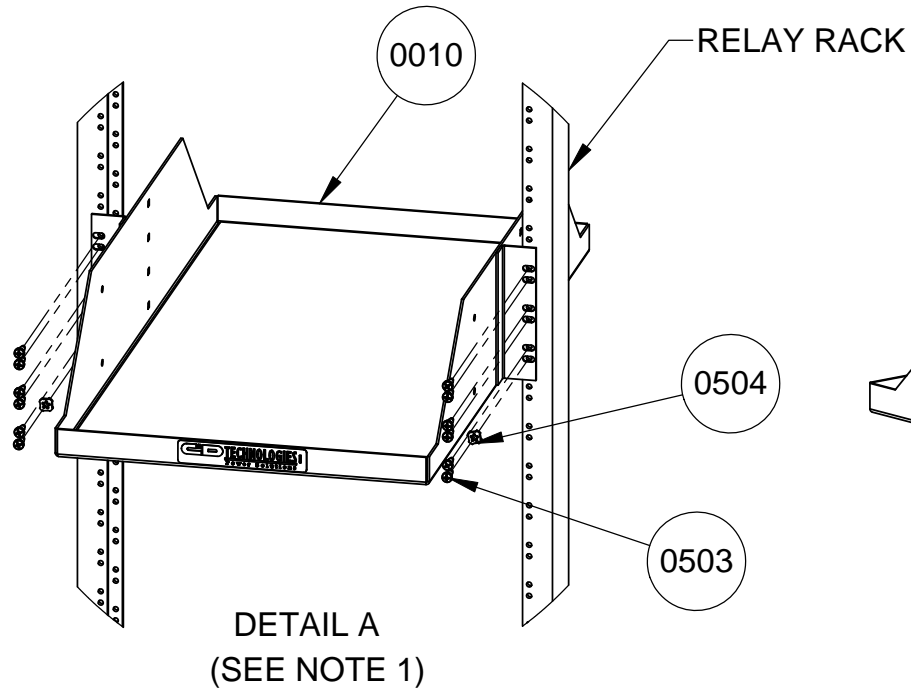
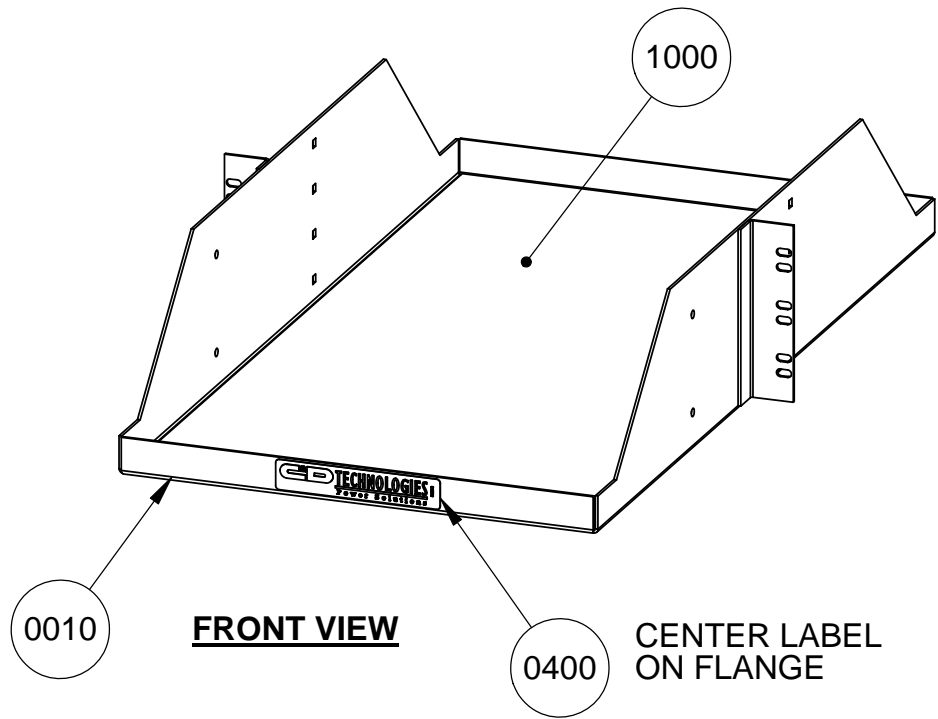
C

D

2

3

4



THIS DRAWING CREATED ON SOLIDWORKS NO CHANGES PERMITTED ON DRAWING: SOLID MODEL DRIVES ALL CHANGES

SIZE	DOC TYPE / NUMBER	ISSUE
B	PN 111-2025-XX	3
SCALE: NONE	SHEET 2 OF 2	FILE PN111-2025-XX.SLDDRW

1

2

3

4

A

B

C

D

↑