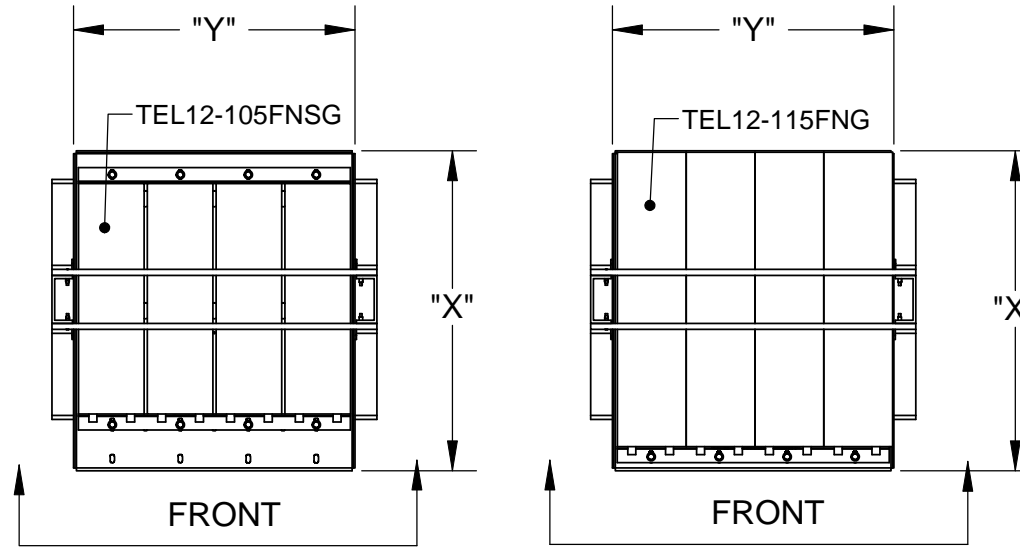
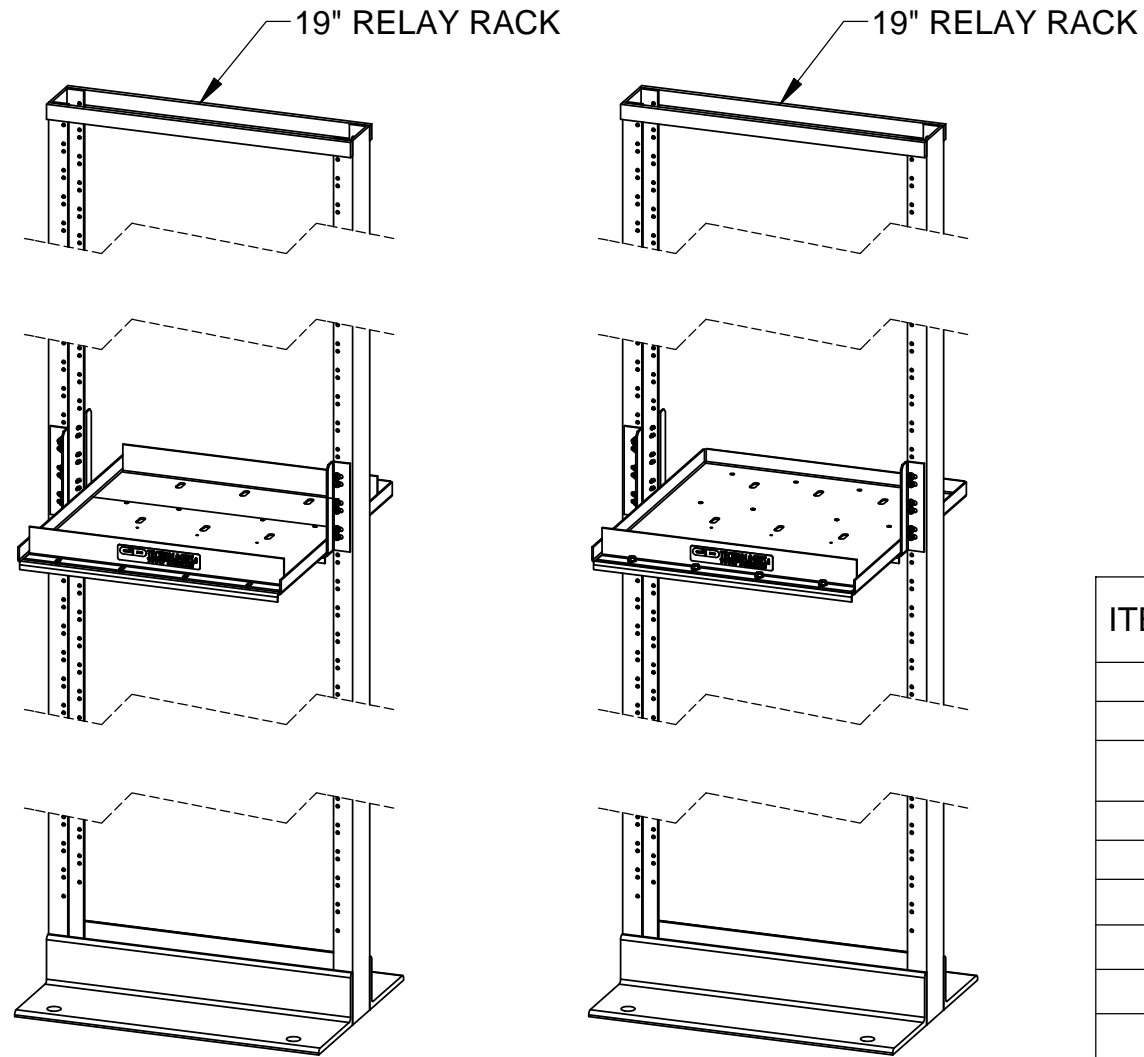


A

B

C

D



ITEM NO.	DESCRIPTION	111.2027.01A QTY.	111.2027.02A QTY.
0010	TRAY	1	1
0020	BRACKET	1	1
0030	BRACKET	2	1
0400	LABEL	1	1
0500	WASHER	2	2
0501	SCREW	24	24
0502	NUT	4	4
0503	BOLT	8	4
0504	NUT	8	4

BATTERY	Battery tray Part #	Rack Size	Tray outside "X" Dimension	Tray outside "Y" Dimension	Tray Dimension
TEL12-105FNSG	111.2027.01A	19"	20"	17.59"	14.40" X 17.25"
TEL12-115FNG	111.2027.02A	19"	20"	17.59"	18.30" X 17.25"

ISSUE

ISSUE	DESCRIPTION	Issue By Issue Date	App. By App. Date
1	SEE ECN 17704 (Original release of documentation)	KEL 5/10/2011	MCM 5/11/11
2	SEE ECN 18117 Removed the "Usable tray" columns and added "Tray dimension" column.	KEL 02/28/12	DBW 2/29/12

UNLESS OTHERWISE SPECIFIED:		NAME	DATE
DIMENSIONS ARE IN INCHES			
TOLERANCES ARE:			
FRACTIONAL ± 1/32			
ANGULAR: ± 1			
ONE PLACE DECIMAL	± 0.04	DRAWN	K.E. LEWIS
TWO PLACE DECIMAL	± 0.02	CHECKED	MCM
THREE PLACE DECIMAL	± 0.010	ENG APPR.	DBW
HOLES +0.004 / -0.002		MFG APPR.	

PROPRIETARY INFORMATION
NOT TO BE COPIED, USED OR DISCLOSED
WITHOUT PRIOR WRITTEN PERMISSION
FROM UNIPOWER LLC

WORKMANSHIP:
PER SPEC ENG032

MATERIAL:

FINISH:



TITLE: **BATTERIES & BATT TRAY,
19" RELAY RACK CONFIGURATION
DOCUMENTATION**

SIZE	DOC TYPE / NUMBER	ISSUE
B	PN 111-2027-XX	2

SCALE	SHEET	FILE
N/A	1 OF 3	PN111-2027-XX.SLDDRW

A

B

C

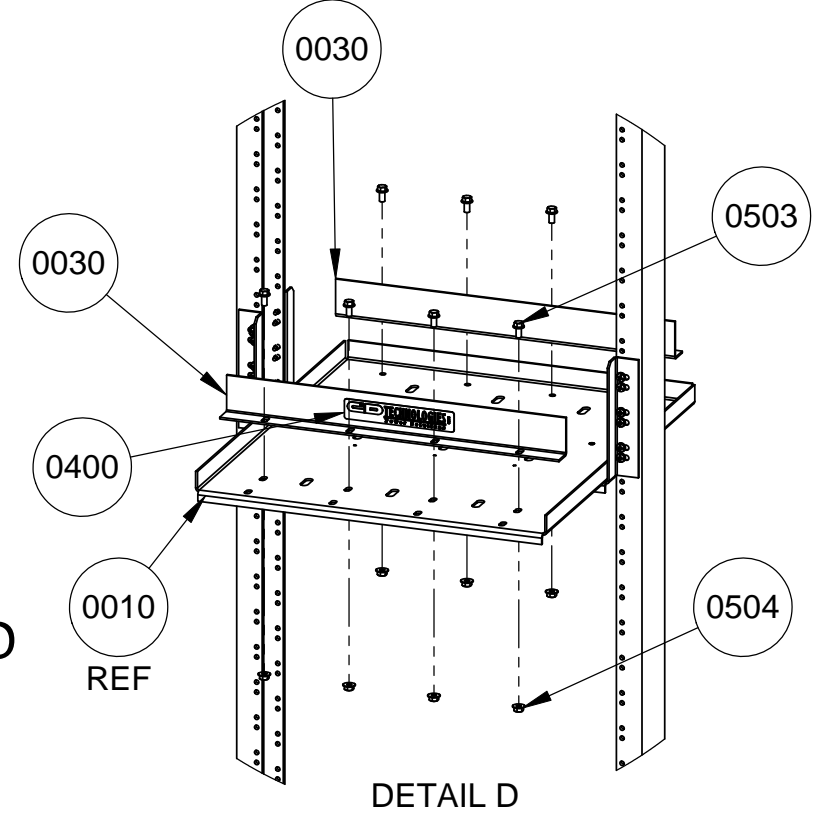
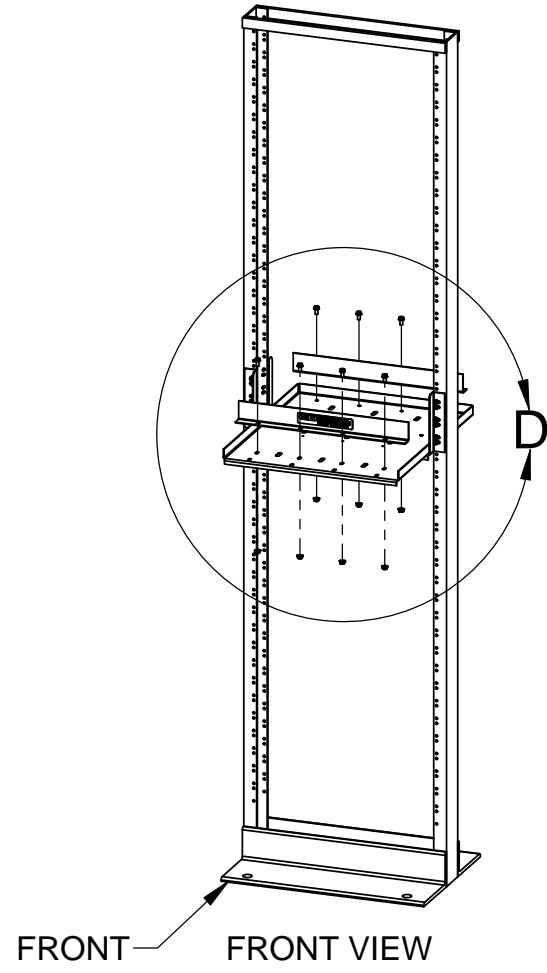
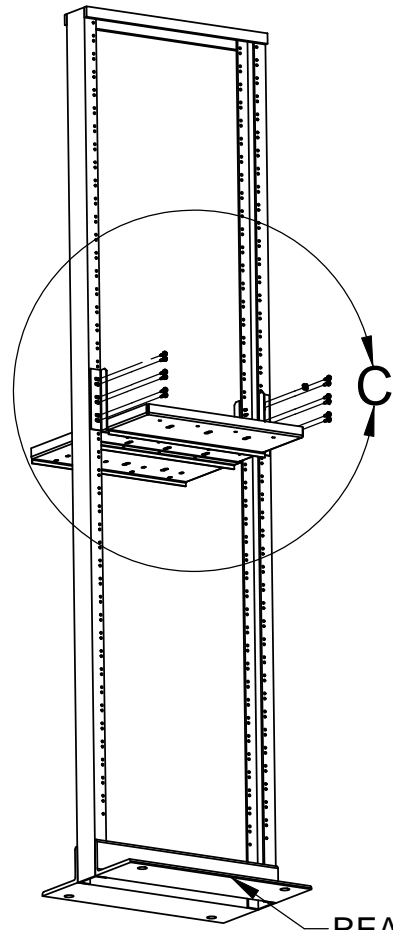
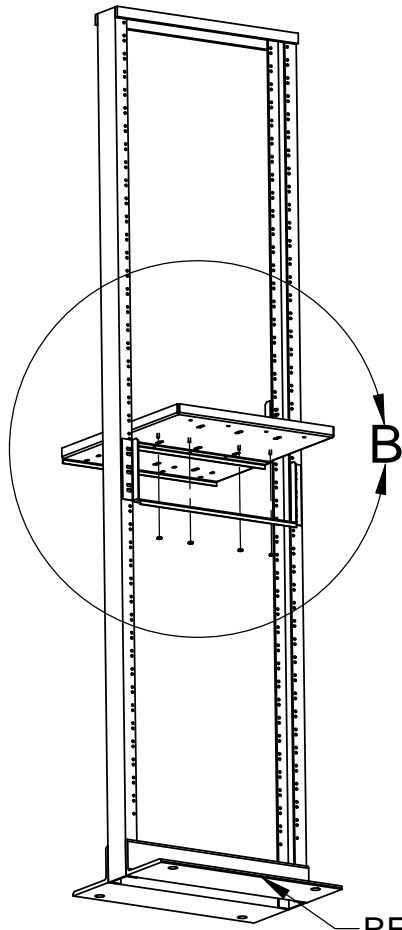
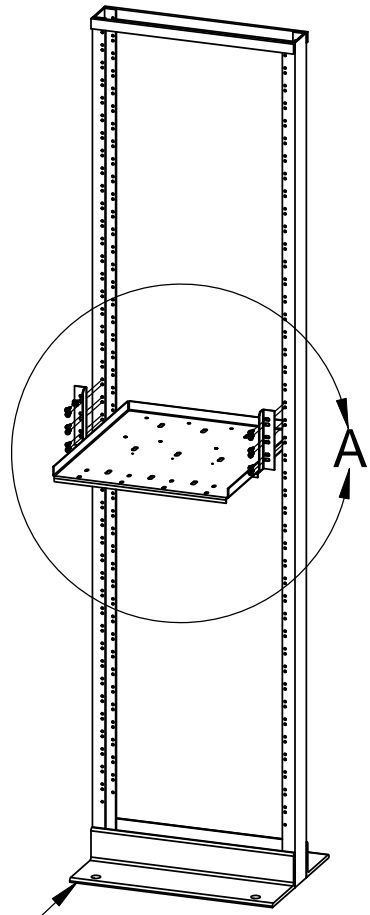
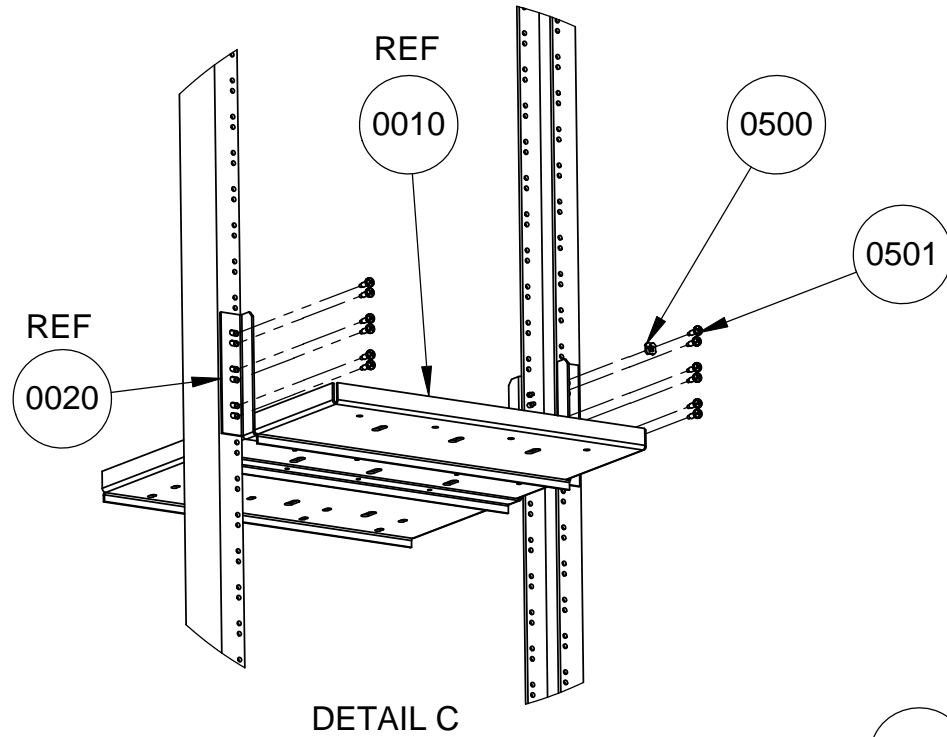
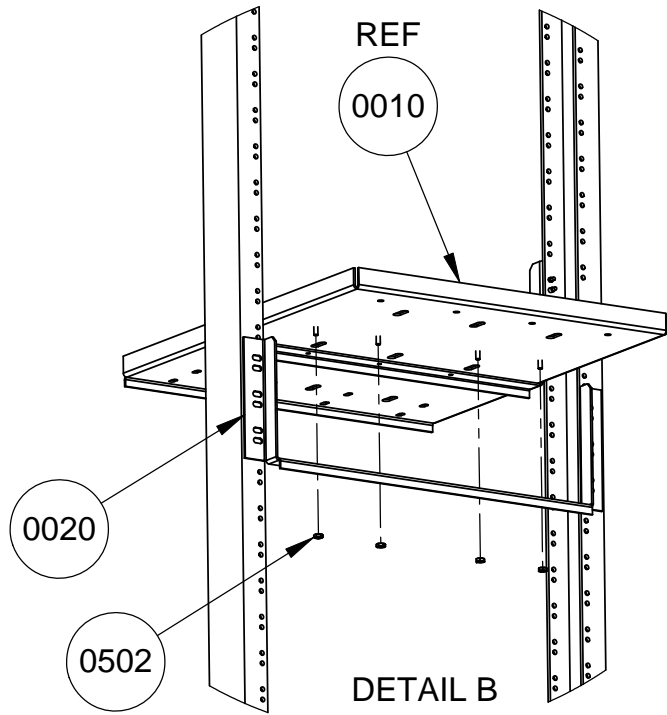
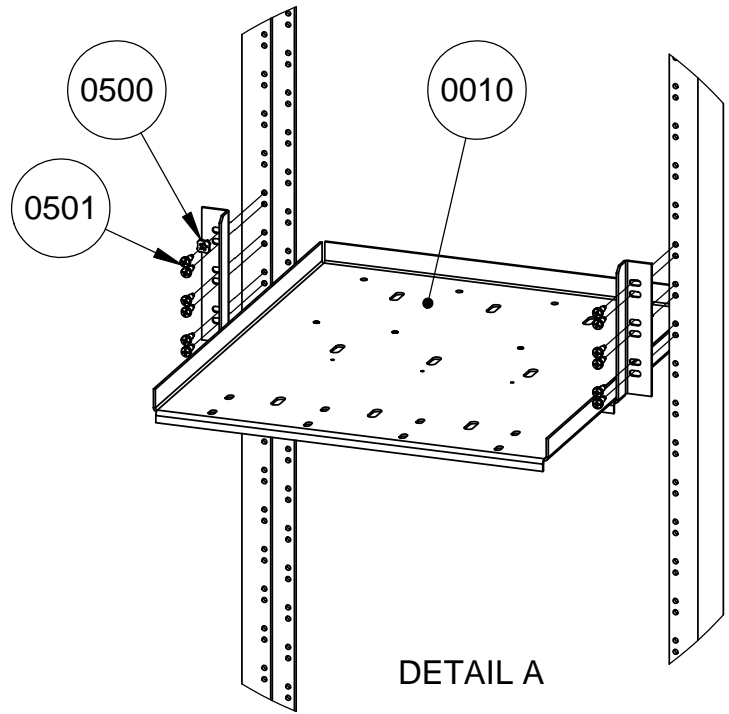
D

A

B

C

D



TRAY ASSEMBLY: 111.2027.01A

SIZE	DOC TYPE / NUMBER	ISSUE
B	PN 111-2027-XX	2
SCALE:	SHEET	FILE
N/A	2 OF 3	PN 111-2027-XX.SLDDRW

A

B

C

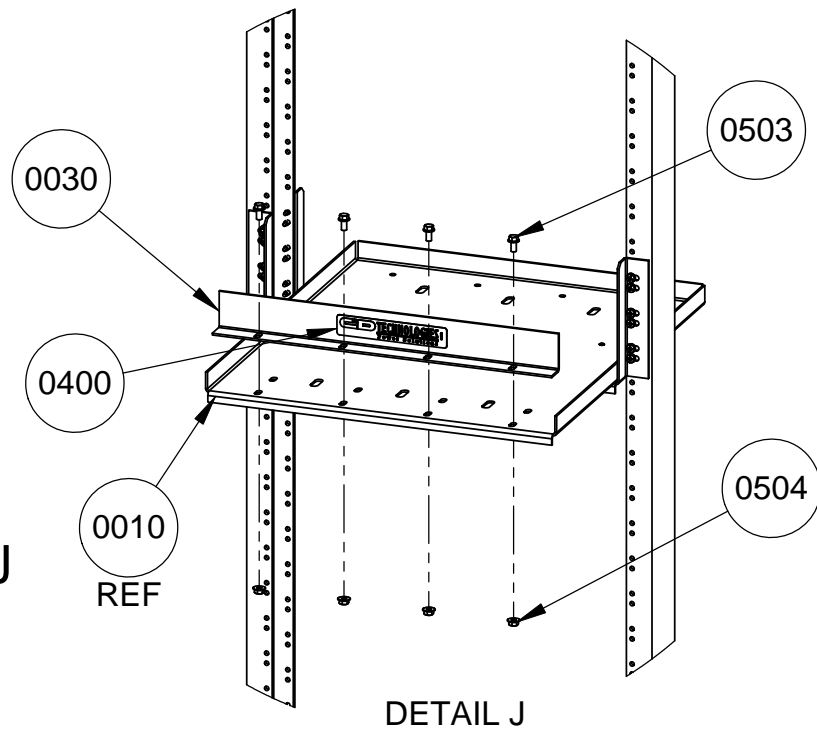
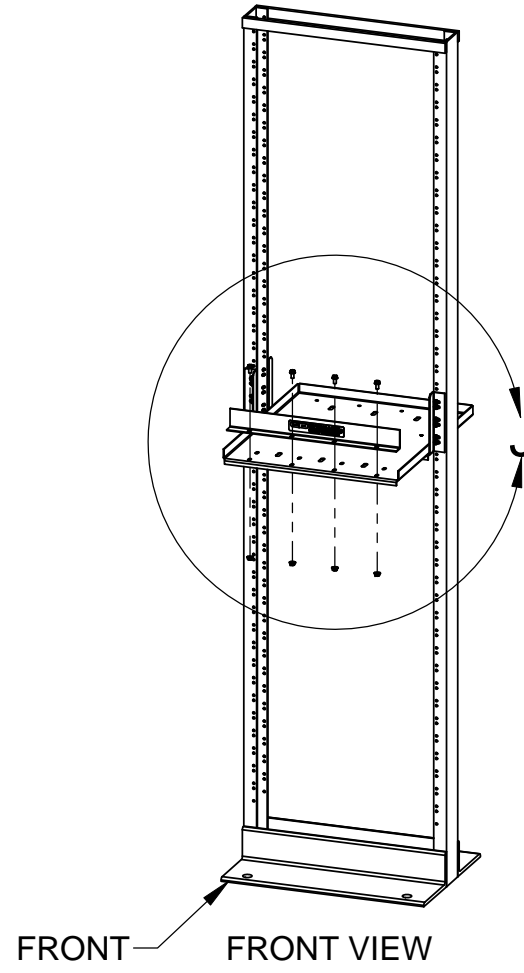
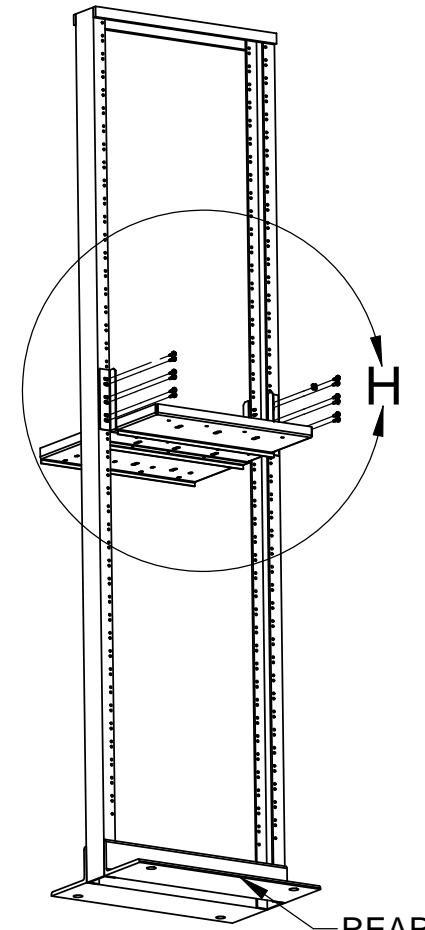
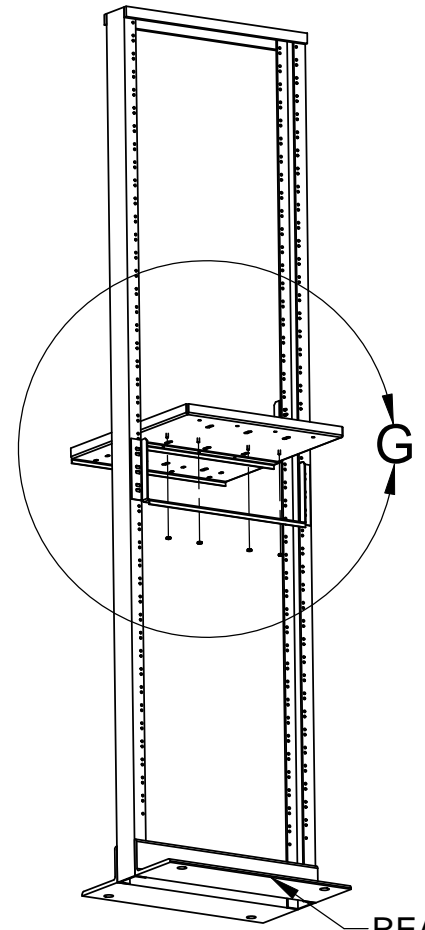
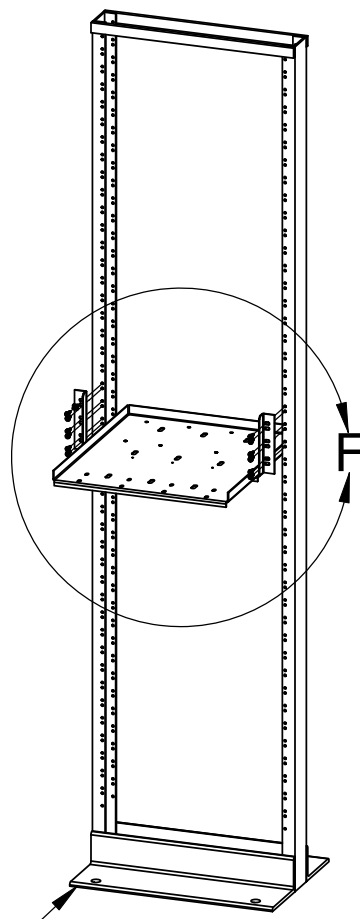
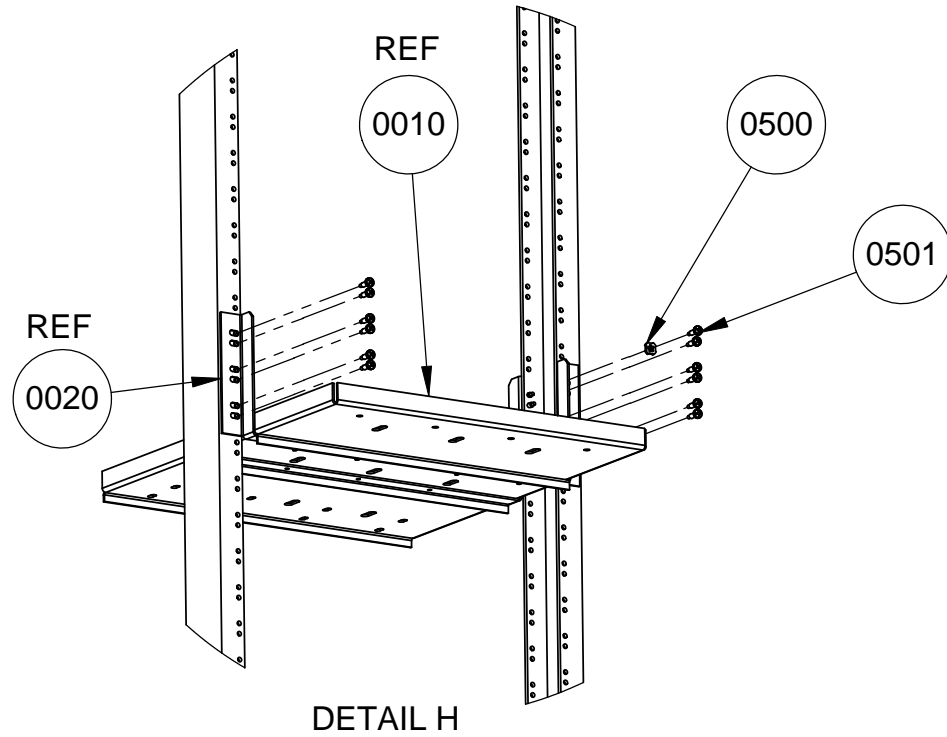
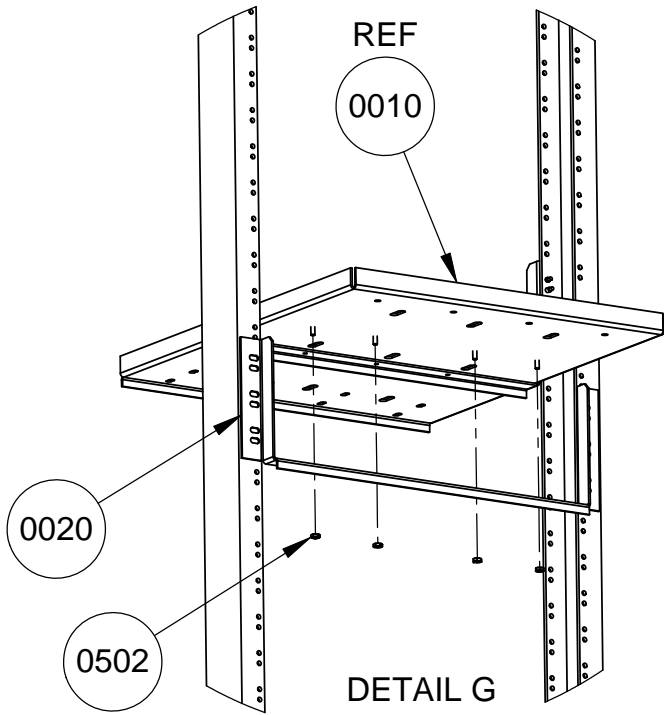
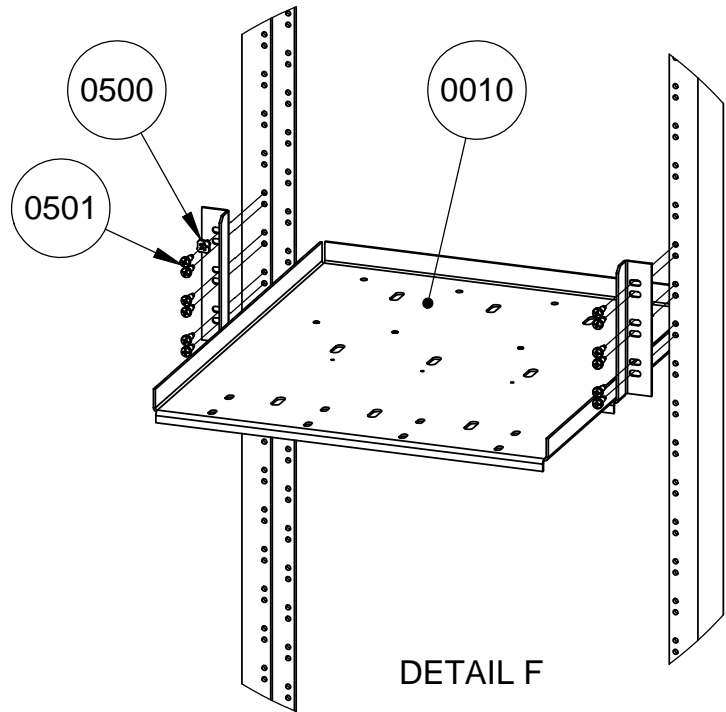
D

1

2

3

4



A

B

C

D

1

2

3

4

TRAY ASSEMBLY: 111.2027.02A

SIZE B	DOC TYPE / NUMBER PN 111-2027-XX	ISSUE 2
SCALE: N/A	SHEET 3 OF 3	FILE PN 111-2027-XX.SLDDRW