

**ENGINEERING NOTES:**

- 51. STANDARD WIRING IS FOR 48 VDC. FOR 24 VDC, REMOVE SLEEVING FROM JUMPER WIRE, SHORT ACROSS R1 AS SHOWN AND SOLDER BACK. TO CONVERT FROM 24 VDC TO 48 VDC, LIFT JUMPER WIRE AND TAPE END.
- 52. FUSE PANEL CAN BE USED ON POSITIVE OR NEGATIVE GOUNDED SYSTEMS.
- 53. INPUTS A AND B MUST BE SUPPLIED FROM A COMMON SOURCE, 30A MAXIMUM PER SECTION.
- 54. MOUNTING BRACKETS ARE ADJUSTABLE FOR 19" OR 23" RACKS AND SEVERAL PANEL OFFSET DISTANCES.
- 55. RELAY CONTACTS ARE RATED 2 AMP RESISTIVE AT 12-24 VDC, 1 AMP AT 48 VDC AND 0.5 AMP AT 120 VDC.
- 56. PAINT COLOR IS ANSI 61 GRAY.
- 57. ORDER FUSES FROM TABLE A.
- 58. UL RECOGNIZED, FILE E96099.

**MANUFACTURING NOTES:**

- 101. ALL WIRING IS 20 GA, UNLESS OTHERWISE SPECIFIED.
- 102. LOOP RESISTOR LEAD AS SHOWN, SOLDER WIRE TO LOOP.
- 103. SHEATH LUG ON FREE END OF JUMPER AND TIE WRAP TO WIRE BUNDLE.

ISSUES			
ISSUE #	DESCRIPTION	ISS. BY ISS. DATE	APP. BY APP. DATE
6	UPDATED TO CURRENT FORMAT, REVISED NOTE 56, CHG'D TABLE B TO TABLE A. CHG'D RESISTOR FROM PN 675-0120-00 TO -01. PER KC761 (PDF FORMATTED; OLD FILES= I0001989, I0001990 & I0001991)	MRB	PKD 08/25/94
7	SEE ECN 20063. UPDATED FORMAT LOGO FROM: C&D TO: UNIPOWER	KEL 01/30/15	DBW 2/6/15

**TABLE A**  
TYPE "GMT" FUSES

AMPS	PART NUMBER
0.5	280-0700-00
1.33	280-0715-00
2	280-0735-00
3	280-0760-00
5	280-0740-00
DUMMY	276-0002-00

UNLESS OTHERWISE SPECIFIED DIMENSIONS ARE IN INCHES ± TOLERANCES ON:	APPROVALS	DATE
	DRAWN SMW	08/28/85
HOLES +0.004 -0.002	CHECKED BW	08/28/85
FRACTIONS ±1/32	APPROVED	
DECIMALS (XX) ±0.020	APPROVED	
DECIMALS (XXX) ±0.010	APPROVED	
ANGLES ±1/2'		

SQUARE CORNERS AND ANGLES ARE 90° UNLESS OTHERWISE SPECIFIED.  
 WORKMANSHIP:  
 PER SPEC ENG032  
 MATERIAL:  
 FINISH:

**PROPRIETARY INFORMATION**  
 NOT TO BE COPIED, USED, TRANSMITTED, OR DISCLOSED WITHOUT  
 PRIOR WRITTEN PERMISSION FROM UNIPOWER, LLC.



FUSE PANEL  
 24 GMT, 24/48 VDC,  
 60A MAX

SIZE <b>B</b>	DOC TYPE / NUMBER PN 111-2750-00	ISSUE 7
------------------	-------------------------------------	------------

SCALE: NONE	SHEET: 1 OF 3	FILE NAME: PN111-2750-00_SHT_1_ISS_7
----------------	------------------	---

**SHEET INDEX NOTE:**

THE ISSUE OF SHEET 1 REFLECTS THE LATEST ISSUE OF THE DRAWING SET. WHEN THE DRAWING SET IS REVISED, ONLY THE ISSUE NUMBERS OF MODIFIED SHEETS ARE CHANGED. THE ISSUE NUMBERS OF UNMODIFIED SHEETS ARE NOT CHANGED.

SHEET INDEX

SH NO	1	2	3			
ISSUE	7	7	2			

A

A

B

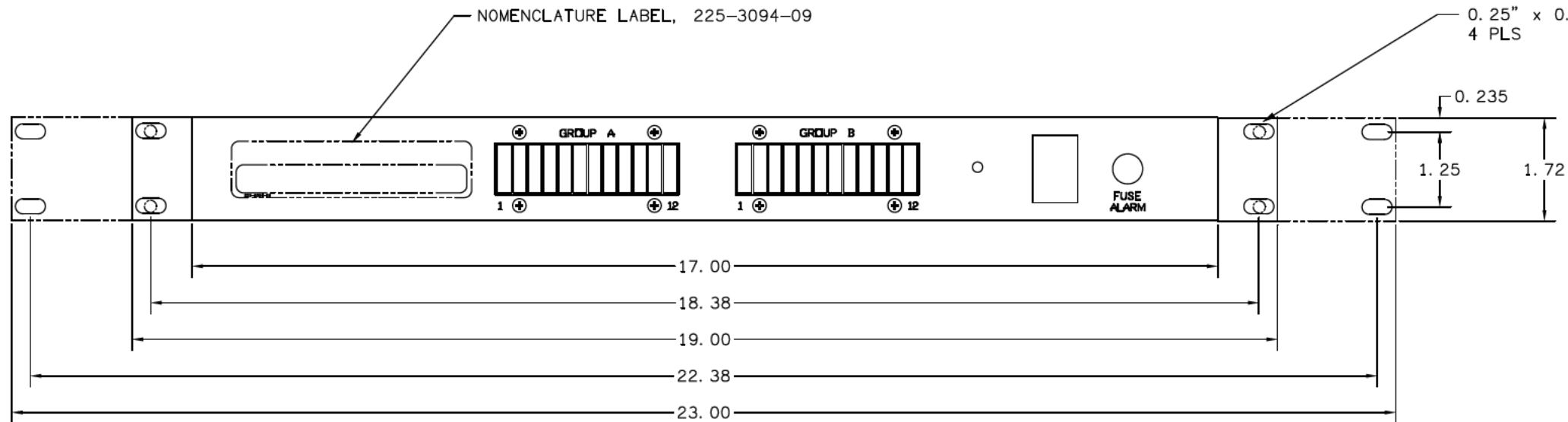
B

C

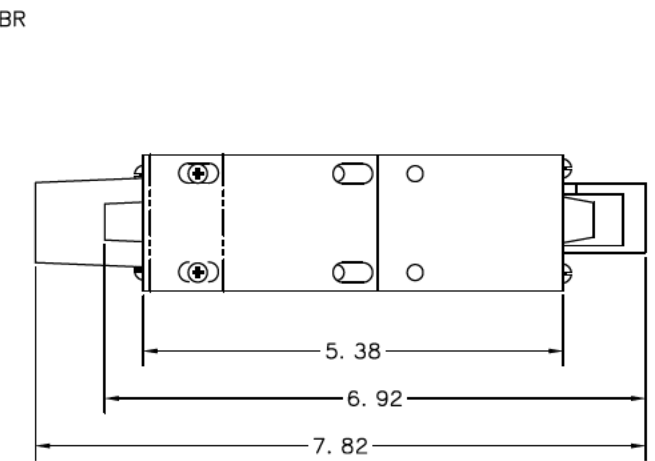
C

D

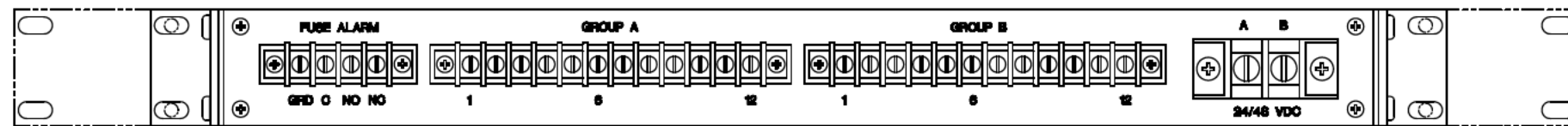
D



FRONT VIEW



SIDE VIEW



REAR VIEW

<b>PROPRIETARY INFORMATION</b> NOT TO BE COPIED, USED, TRANSMITTED, OR DISCLOSED WITHOUT PRIOR WRITTEN PERMISSION FROM UNIPOWER, LLC.		
SIZE: <b>B</b>	DOC TYPE / NUMBER PN 111-2750-00	ISSUE 7
SCALE: NONE	SHEET: 2 OF 3	FILE NAME: PN111-2750-00_SHT_2_ISS_7

A

B

C

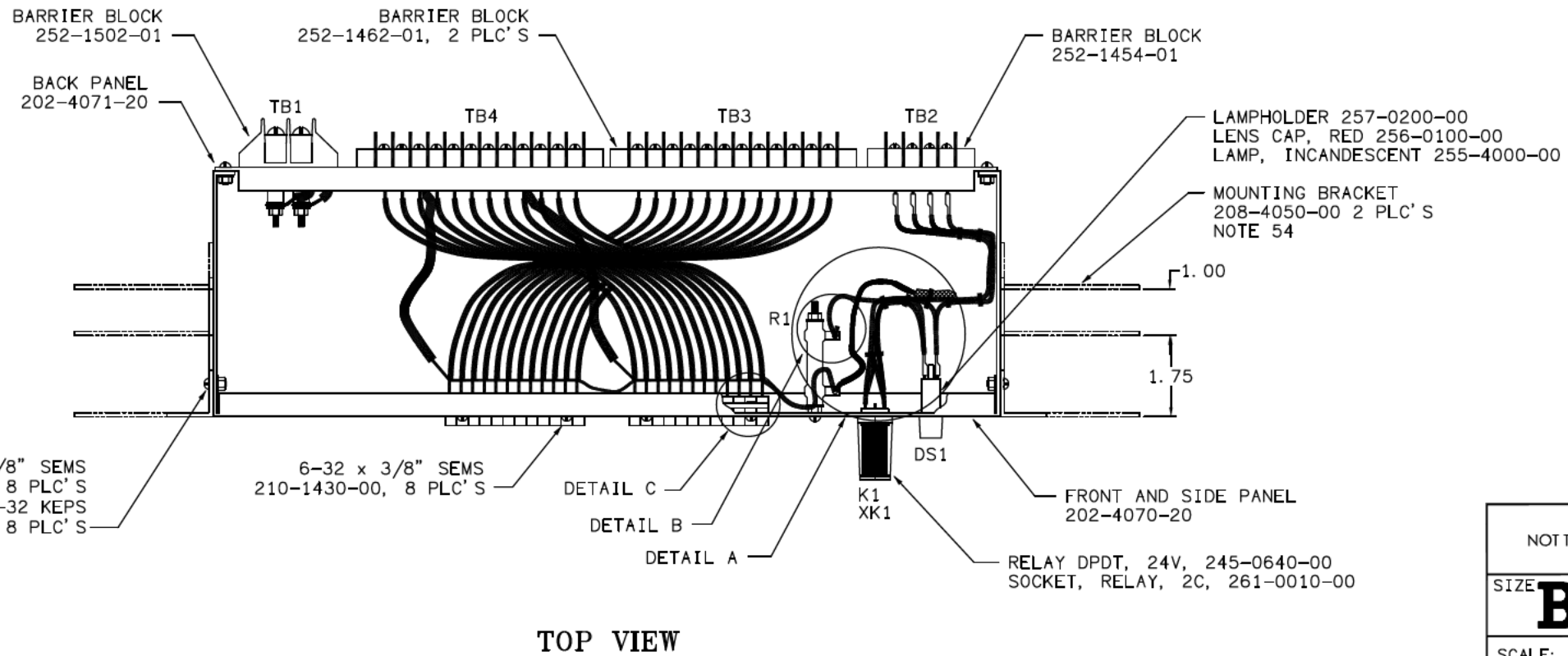
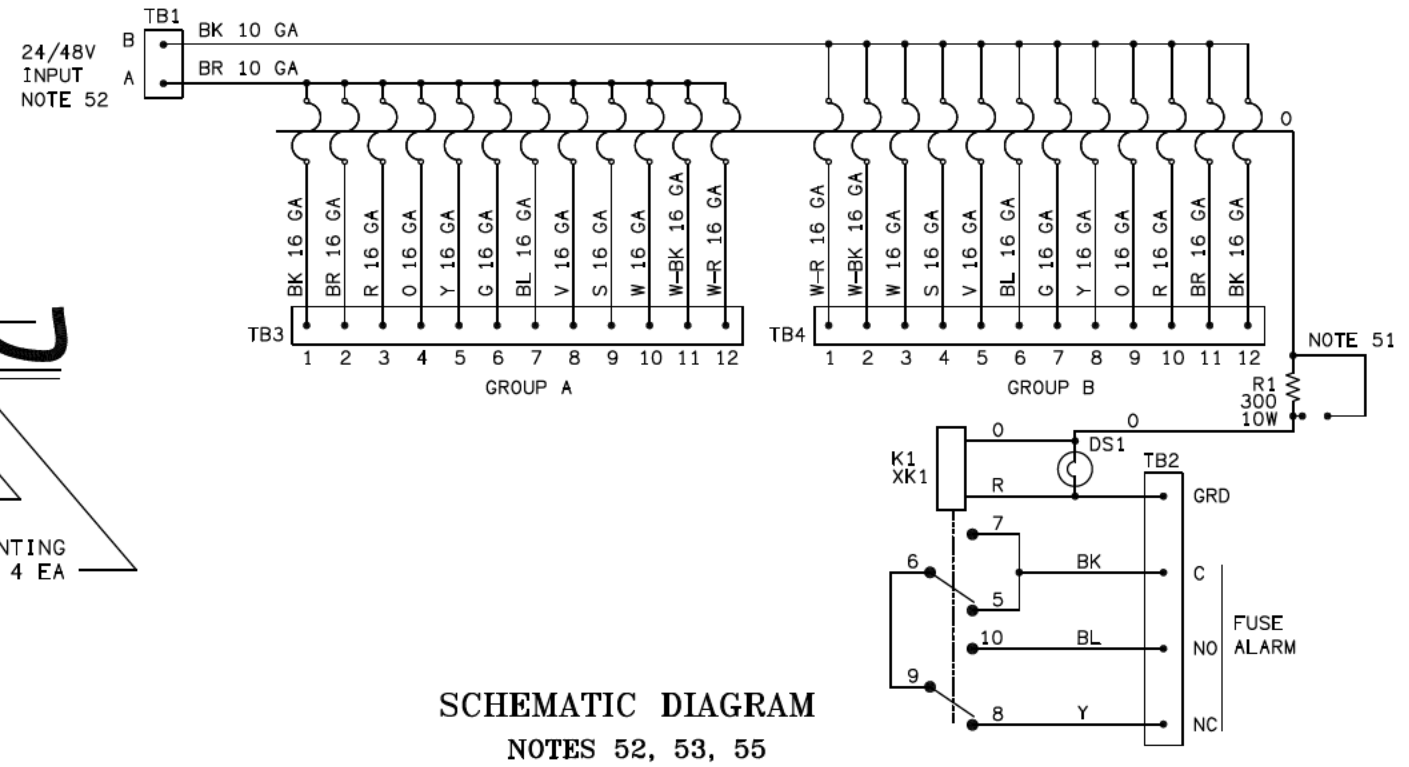
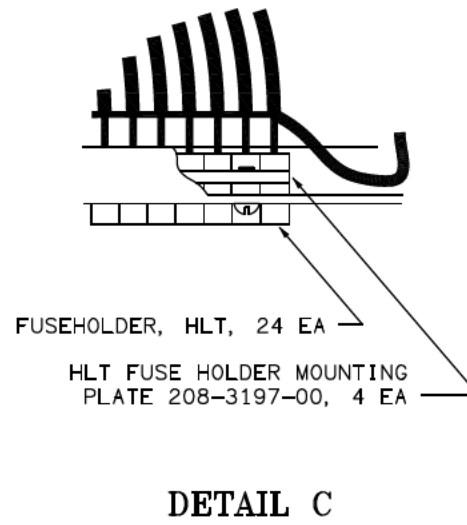
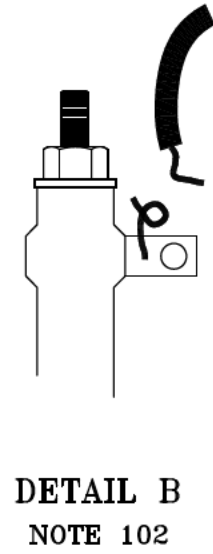
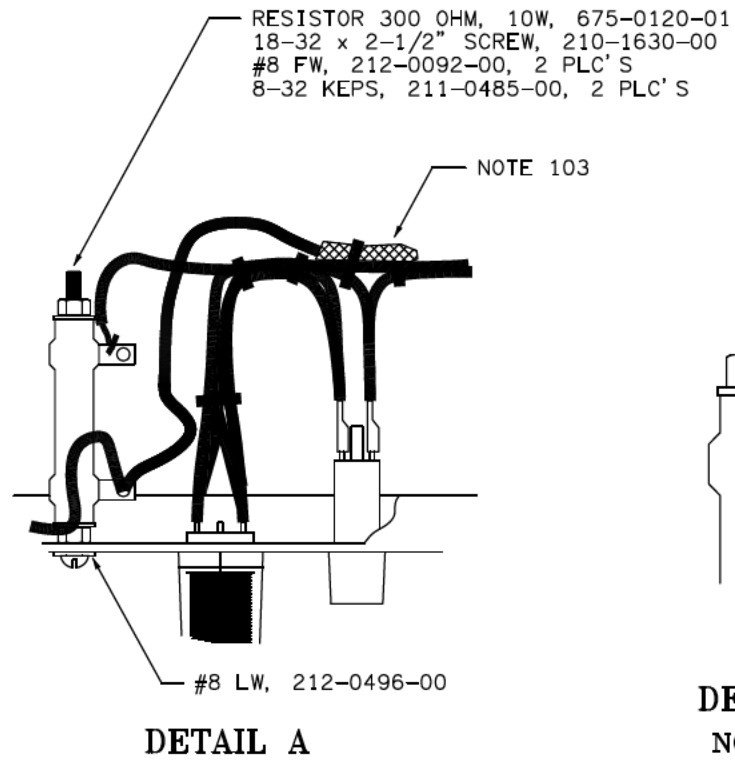
D

A

B

C

D



<b>PROPRIETARY INFORMATION</b> NOT TO BE COPIED, USED, TRANSMITTED, OR DISCLOSED WITHOUT PRIOR WRITTEN PERMISSION FROM UNIPOWER, LLC.		
SIZE <b>B</b>	DOC TYPE / NUMBER PN 111-2750-00	ISSUE 2
SCALE: NONE	SHEET: 3 OF 3	FILE NAME: PN111-2750-00_SHT_3_ISS_2