

ENGINEERING NOTES:

- 51. SELECT FUSE PANEL FROM TABLE A.
- 52. EACH DEADFRONT FUSEHOLDER REQUIRES ONE MAIN AND ONE ALARM FUSE. MAIN FUSES ARE TYPE TPL, 61 TO 600 AMPS. THE RECOMMENDED TYPE 70 ALARM FUSE IS 0.5 AMPS. FUSES ARE NOT INCLUDED BUT MAY BE ORDERED SEPARATELY PER EQUIPMENT DRAWING ED991-0009-00.
- 53. THE INPUT COPPER BUS BAR IS DESIGNED FOR DIRECT CONNECTION TO VERTICAL BUS BAR SYSTEMS. FOR OTHER SYSTEMS, HOLES ARE PROVIDED FOR BOLTING LUGGED CABLES. INPUT LUGS ARE NOT PROVIDED BUT MAY BE ORDERED SEPARATELY.
- 54. THE OUTPUT COPPER BUS BAR IS DESIGNED FOR BOTH, BELL STANDARD LUGS, 1" CENTER TO CENTER SPACING WITH 3/8" HARDWARE AND NEMA STANDARD LUGS, 1-3/4" CENTER TO CENTER SPACING WITH 1/2" HARDWARE.
- 55. A FUSE ALARM SIGNAL CAN BE EXTENDED TO A SEPARATE ALARM SYSTEM. CONNECT THE ALARM LEAD TO THE "FA-OUT" TERMINAL ON XA1 IN POSITIVE GROUND SYSTEMS OR TO THE "FA+OUT" TERMINAL IN NEGATIVE SYSTEMS. FUSE ALARM SIGNALS CONNECT "BAT" TO THE ALARM CONNECTION WHEN A FUSE CLEARS. A FUSE ALARM ASSEMBLY EQUIPPED WITH AN ALARM RELAY IS AVAILABLE. ORDER PER EQUIPMENT DRAWING ED991-0009-00.
- 56. AMMETER SHUNTS ARE NORMALLY 600 AMPS 50mV; HOWEVER, OTHER CURRENT RATINGS MAY BE SPECIFIED. PANEL CURRENT MUST NOT EXCEED 600 AMPS.
- 57. PAINT COLOR IS ANSI 61 GRAY.
- 58. NON FA VERSIONS DO NOT INCLUDE A1.
- 59. NON SHUNTED VERSIONS DO NOT INCLUDE R1.
- 60. BUBBLE REFERENCE DESIGNATORS REFER TO CALLOUT TABLE LINE NUMBER.

MANUFACTURING NOTES:

- 101. ANTI-OXIDATION COATING WILL BE APPLIED BETWEEN ALL LAYERS OF LAMINATED COPPER BUS STRUCTURE. A COMPOUND SUCH AS CRAMOLIN 81Rh WILL BE APPLIED TO ALL JOINTED FLAT CONDUCTIVE SURFACES PER THE MANUFACTURER'S INSTRUCTIONS.
- 103. MOUNT WIRE LUG BETWEEN BUS BAR AND LARGE MOUNTING WASHER.
- 104. REPLACE BOLTS SUPPLIED WITH SHUNT WITH P/N 210-8128-00. USE WASHERS SUPPLIED WITH SHUNT.
- 105. ALL WIRES ARE 20 GA UNLESS OTHERWISE NOTED.
- 106. SECURE ALL BUSES AT A 45° ANGLE, AS SHOWN.
- 107. INSTALL DUMMY FUSE, P/N 276-0001-00, IN XF2.

TABLE A				
PART NUMBER	VOLTAGE	SHUNT	FUSE ALARM	RATING
111B-3072-00	±12VDC			MD
111B-3072-01	+24, -48VDC		YES	STD
111B-3072-10	±12VDC	600A		MD
111B-3072-11	+24, -48VDC	600A	YES	STD

SHEET INDEX NOTE:

THE ISSUE OF SHEET # REFLECTS THE LATEST ISSUE OF THE DRAWING SET. WHEN THE DRAWING SET IS REVISED, ONLY THE ISSUE NUMBERS OF MODIFIED SHEETS ARE CHANGED. THE ISSUE NUMBERS OF UNMODIFIED SHEETS ARE NOT CHANGED.

SHEET INDEX

SHEET NUMBER	ISSUE NUMBER							
	1	2	3	4	5	6	7	8
S1	1	2	3	4	5	6	7	
S2			1	2	2	3	4	
S3			1	2	3	4	5	
S4			1	2	2	3	4	

ISSUES

ISSUE #	DESCRIPTION	ISS. BY ISS. DATE	APP. BY APP. DATE
6	SEE ECN AD0121	GH 02-19-04	DMB 03-04-04
7	SEE ECN 20063. UPDATED FORMAT LOGO FROM: C&D TO: UNIPOWER	KEL 02/02/15	DBW 2/6/15

UNLESS OTHERWISE SPECIFIED DIMENSIONS ARE IN INCHES TOLERANCES ON:	APPROVALS		DATE
	±	DRAWN PKD	
HOLES +0.004 -0.002	CHECKED BW		11-14-86
FRACTIONS ±1/32	APPROVED		
DECIMALS (XX) ±0.020	APPROVED		
DECIMALS (XXX) ±0.010			
ANGLES ±1/2°			

SQUARE CORNERS AND ANGLES ARE 90° UNLESS OTHERWISE SPECIFIED.

WORKMANSHIP:
PER SPEC ENG032

MATERIAL:

FINISH:

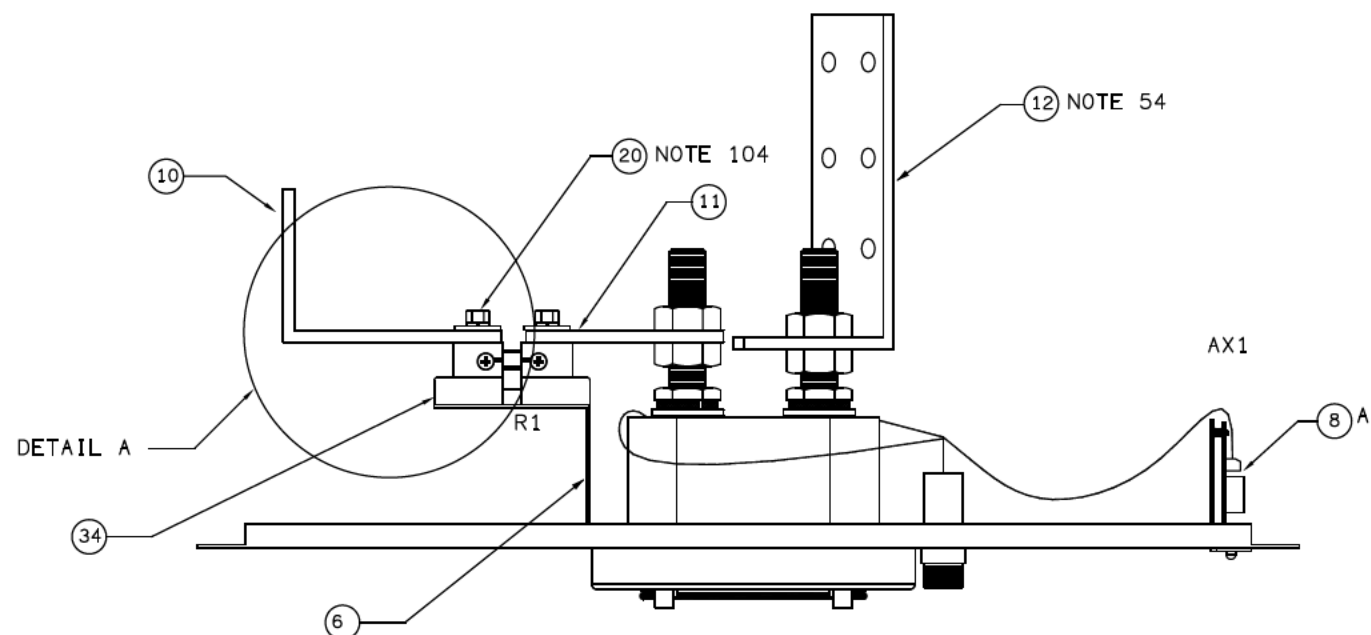
PROPRIETARY INFORMATION
NOT TO BE COPIED, USED, TRANSMITTED, OR DISCLOSED WITHOUT
PRIOR WRITTEN PERMISSION FROM UNIPOWER, LLC.



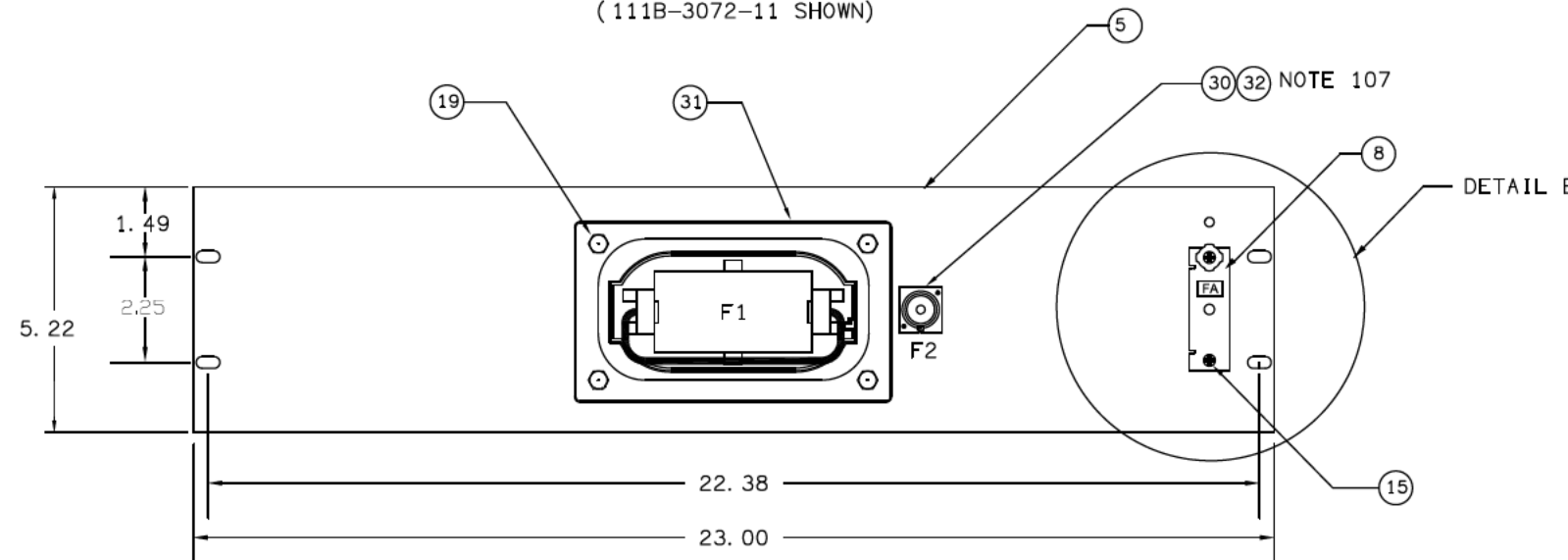
FUSE PANEL
1 X 61-600 AMP TPL
5.25 X 23"

SIZE B	DOC TYPE / NUMBER PN 111B-3072	ISSUE 7
---------------	-----------------------------------	------------

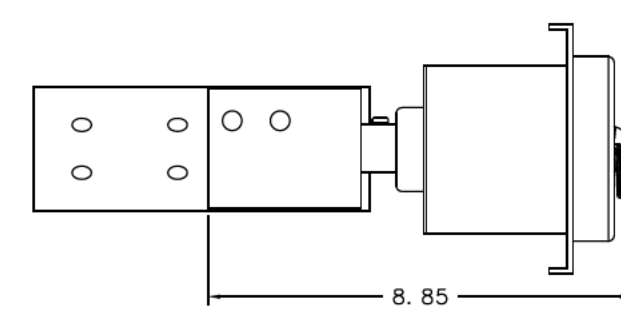
SCALE: NONE	SHEET: 1 OF 4	FILE NAME: PN111B-3072_SHT_1_ISS_7
----------------	------------------	---------------------------------------



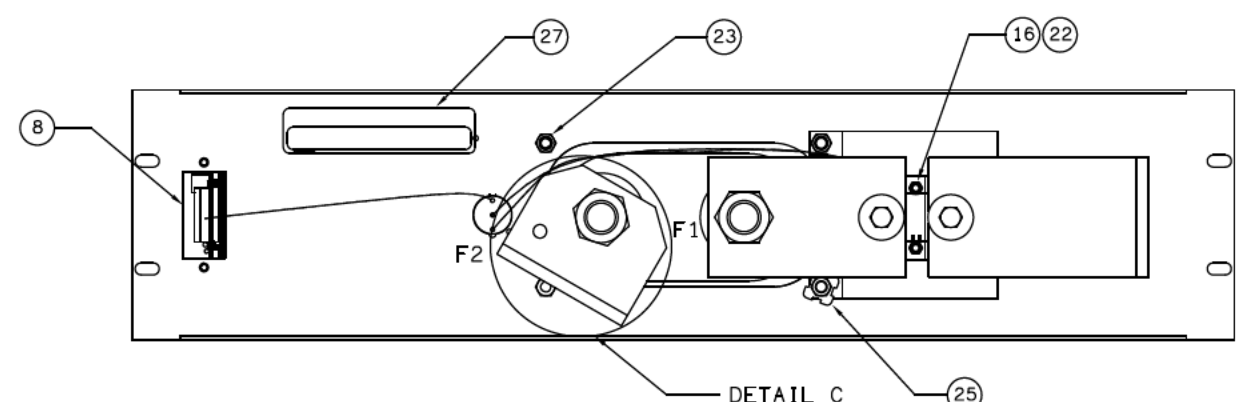
TOP VIEW
(111B-3072-11 SHOWN)



FRONT VIEW
(111B-3072-11 SHOWN)

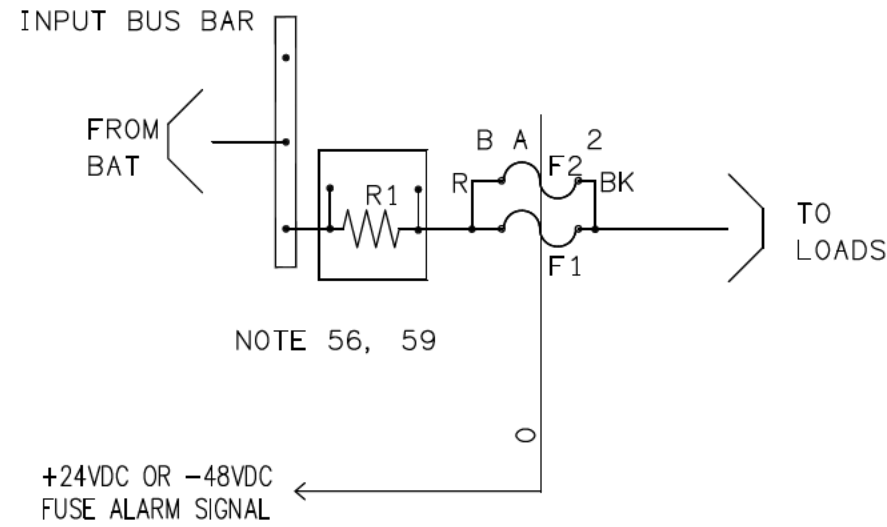


LEFT SIDE VIEW
(111B-3072-11 SHOWN)

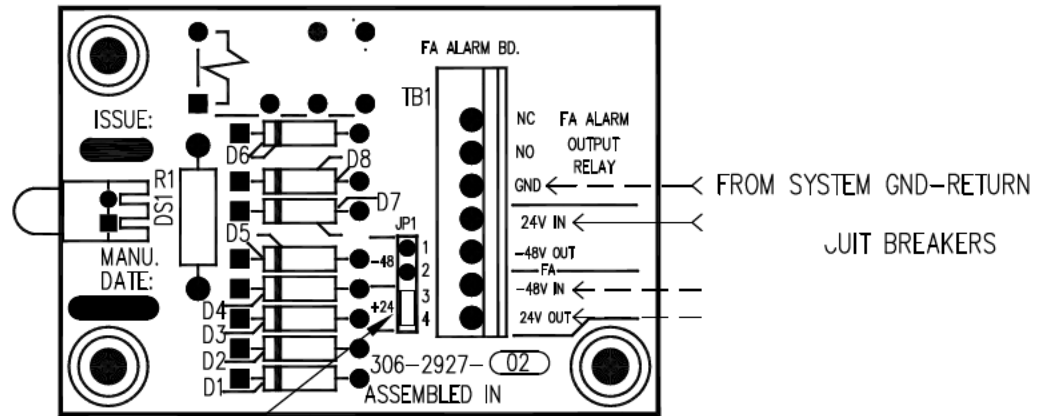


REAR VIEW
(111B-3072-11 SHOWN)

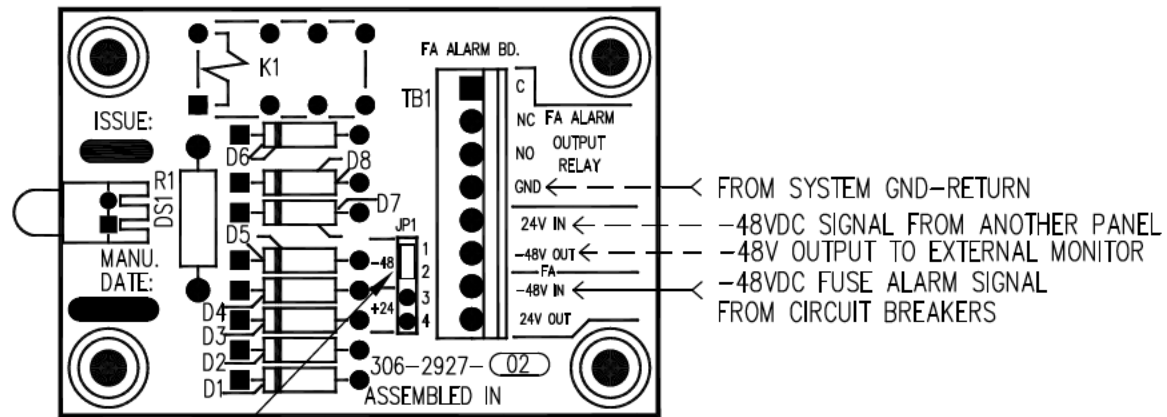
PROPRIETARY INFORMATION NOT TO BE COPIED, USED, TRANSMITTED, OR DISCLOSED WITHOUT PRIOR WRITTEN PERMISSION FROM UNIPOWER, LLC.		
SIZE B	DOC TYPE / NUMBER PN 111B-3072	ISSUE 4
SCALE: NONE	SHEET: 2 OF 4	FILE NAME: PN111B-3072_SHT_2_ISS_4



WIRING DETAIL FOR +24V

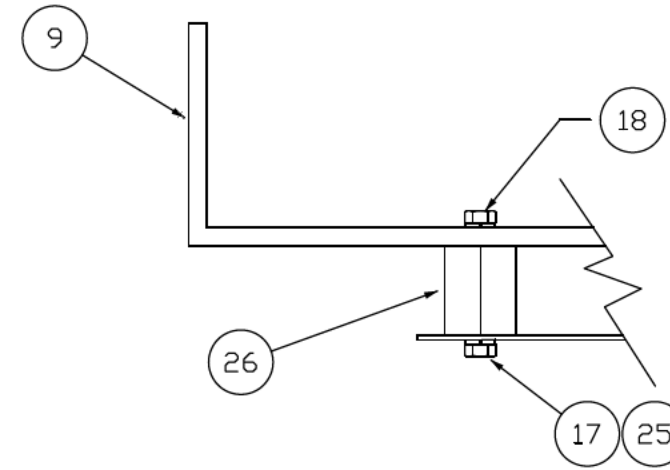


WIRING DETAIL FOR -48V

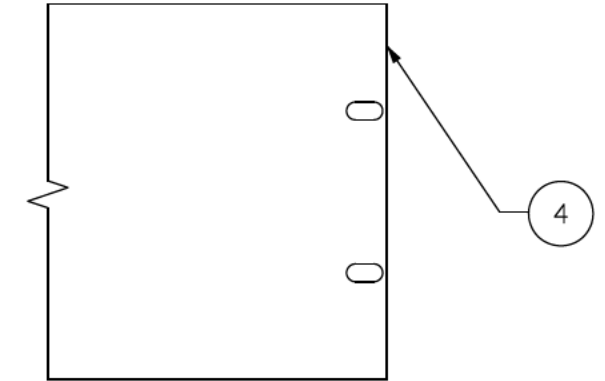


SCHEMATIC DIAGRAM

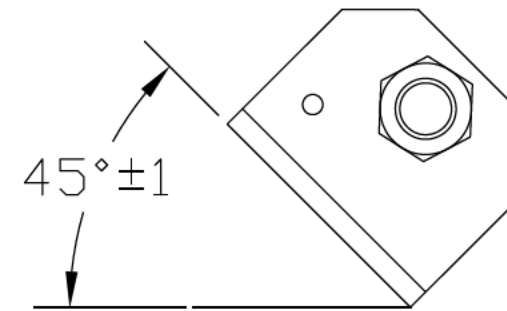
NOTES 58, 105



111B-3072-00,01
W/O SHUNT
DETAIL A



111B-3072-00,10
W/O FUSE ALARM
DETAIL B



111B-3072-00,01,10,11
NOTE 106
DETAIL C

<p>PROPRIETARY INFORMATION NOT TO BE COPIED, USED, TRANSMITTED, OR DISCLOSED WITHOUT PRIOR WRITTEN PERMISSION FROM UNIPOWER, LLC.</p>		
<p>SIZE B</p>	<p>DOC TYPE / NUMBER PN 111B-3072</p>	<p>ISSUE 5</p>
<p>SCALE: NONE</p>	<p>SHEET: 3 OF 4</p>	<p>FILE NAME: PN111B-3072_SHT_3_ISS_5</p>

CALLOUT LIST 111B-3072-

LINE #	NOTES	DESCRIPTION	PART NUMBERS	QUANTITY	QUANTITY	QUANTITY	QUANTITY
				-00	-01	-10	-11
1		20 GA: BLACK; 10 INCHES	051-2000-10	1	1	1	1
		20 GA: RED; 10 INCHES	051-2022-10	1	1	1	1
		20 GA: ORANGE; 9 INCHES	051-2033-09	-	-	1	1
		1 X 600A FUSE PANEL, 23"	202-3536-01	1	-	1	-
5		FUSE PNL: 1-400/600A W/FA, 5.25 x 23"	202-3536-03	-	1	-	1
		SHUNT BRACKET	208-4090-01	1	1	1	1
		ASSY: ALARM BOARD, BKT, LABEL, FOR FA	385.5152.00	-	1	-	1
		BUS BAR: INPUT 1 X 600A FP W/O SHUNT 23"	209-3203-17	1	1	-	-
10		BUS BAR, ADPT: 400/600A FUSE SHUNT TO BUS BAR	209-3203-20	-	-	1	1
		BUS BAR: 400/600A FUSEHOLDER TO SHUNT	209-3208-00	-	-	1	1
		BUS BAR: LUG ADAPTER, 600A	209-4385-00	1	1	1	1
15		SCREW: STL, SEMS, P/HD PHIL, 6-32 x 1/2"	210-1450-01	-	2	-	2
		SCREW: STL, SEMS, P/HD PHIL, 8-32 x 5/8"	210-1580-01	-	-	2	2
		SCREW: STL, HEX HD, 1/4-20 x 3/8"	210-7003-00	1	1	-	-
		SCREW: STL, HEX HD, 1/4-20 x 1/2"	210-7004-00	1	1	-	-
		SCREW: HEX HD, 1/4-20 x 1 1/4 FULL THREAD	210-7009-00	4	4	4	4
20		BOLT HEX SIL. BRONZE: 3/8-16 x 3/4	210-8128-00	-	-	2	2
		NUT, HEX STL: 8-32, ZINC KEPS	211-0485-00	-	-	2	2
		NUT, HEX STL: 1/4-20, ZINC KEPS	211-0501-00	4	4	4	4
		LOCKWASHER, STL SHKPF: #4 INTERNAL T00TH	212-0492-00	-	2	-	2
25		LOCKWASHER, SHKPF: 1/4 INTERNAL	212-0500-00	1	1	-	-
		SPACER: HEATSINK, HEX FIBREGLASS, 1.25"	213-1410-00	1	1	-	-
		LABEL, NOMENCLATURE: GENERAL MISC, 0.9" x 4"	225-3094-09	1	1	1	1
30		FUSE HOLDER: SINGLE-70 COMPLETE	275-0500-01	1	1	1	1
		FUSE HOLDER: 600A DEADFRONT	275-1606-00	1	1	1	1
		FUSE "DUMMY": .25" x 1.25", TYPE 70	276-0001-00	1	1	1	1
		RES, SHUNT: METER, 600A 50mV	695-1093-03	-	-	1	1

PROPRIETARY INFORMATION		
NOT TO BE COPIED, USED, TRANSMITTED, OR DISCLOSED WITHOUT PRIOR WRITTEN PERMISSION FROM UNIPOWER, LLC.		
SIZE B	DOC TYPE / NUMBER PN 111B-3072	ISSUE 4
SCALE: NONE	SHEET: 4 OF 4	FILE NAME: PN111B-3072_SHT_4_ISS_4