

ENGINEERING NOTES:

- 51. PAINT COLOR IS ANSI 61 GRAY.
- 52. EACH DEADFRONT FUSEHOLDER REQUIRES ONE MAIN FUSE. MAIN FUSES ARE TYPE TPL, 61 TO 600 AMPS AND ARE NOT INCLUDED, BUT MAY BE ORDERED SEPARATELY PER EQUIPMENT DRAWING ED991-0009-00.
- 53. THE RECOMMENDED TYPE 70 ALARM FUSE IS 1-1/3 AMPS (JL00378) FUSES ARE SHIPPED LOOSE AND MUST BE INSTALLED AFTER EQUIPMENT IS SECURED TO THE FLOOR PER EQUIPMENT DRAWING ED991-0009-00.
- 54. THE INPUT COPPER BUS BAR IS DESIGNED FOR DIRECT CONNECTION TO VERTICAL BUS BAR SYSTEMS. FOR OTHER SYSTEMS, HOLES ARE PROVIDED FOR BOLTING LUGGED CABLES. INPUT LUGS ARE NOT PROVIDED BUT MAY BE ORDERED SEPARATELY.
- 55. THE OUTPUT COPPER BUS BAR IS DESIGNED FOR BOTH, BELL STANDARD LUGS, 1" CENTER TO CENTER SPACING WITH 3/8" HARDWARE AND NEMA STANDARD LUGS, 1-3/4" CENTER TO CENTER SPACING WITH 1/2" HARDWARE.
- 56. AMMETER SHUNTS ARE NORMALLY 600 AMPS 50mV; HOWEVER, OTHER CURRENT RATINGS MAY BE SPECIFIED. SEE REAR VIEW WITH SHUNT FOR DETAILS.
- 57. NON FA VERSIONS DO NOT INCLUDE A1.
- 58. NON SHUNTED VERSIONS DO NOT INCLUDE R1 OR R2.
- 59. BUBBLE REFERENCE DESIGNATORS REFER TO CALLOUT TABLE LINE NUMBER.
- 60. SELECT FUSE PANEL FROM TABLE A.

MANUFACTURING NOTES:


- 101. ANTI-OXIDATION COATING WILL BE APPLIED BETWEEN ALL LAYERS OF LAMINATED COPPER BUS STRUCTURE. A COMPOUND SUCH AS CRAMOLIN 81Rh WILL BE APPLIED TO ALL JOINTED FLAT SURFACES AS PER THE MANUFACTURER'S INSTRUCTIONS.
- 103. MOUNT WIRE LUG BETWEEN BUS BAR AND LARGE MOUNTING WASHER.
- 104. REPLACE BOLTS SUPPLIED WITH SHUNT WITH (210-8128-00), AS SHOWN. USE WASHERS SUPPLIED WITH SHUNT.
- 105. ALL WIRES ARE 20 GA UNLESS OTHERWISE NOTED.
- 106. SECURE ALL BUSSES AT A 45° ANGLE, AS SHOWN.
- 107. INSTALL DUMMY FUSES (276-0001-00) IN XF3-4.

TABLE A				
PART NUMBER	VOLTAGE	SHUNT	FUSE ALARM	RATING
111B-3074-00	±12VDC			MD
111B-3074-01	+24, -48VDC		YES	STD
111B-3074-10	±12VDC	600A		MD
111B-3074-11	+24, -48VDC	600A	YES	STD

SHEET INDEX NOTE:

THE ISSUE OF SHEET 1 REFLECTS THE LATEST ISSUE OF THE DRAWING SET. WHEN THE DRAWING SET IS REVISED, ONLY THE ISSUE NUMBERS OF MODIFIED SHEETS ARE CHANGED. THE ISSUE NUMBERS OF UNMODIFIED SHEETS ARE NOT CHANGED.

SHEET NUMBER	SHEET INDEX												
	ISSUE NUMBER												
1	1	2	3	4	5	6	7	8	9	10	11	12	13
2	1	2	3	3	3	4	4	5	6	7			
3			1	1	1	2	3	4	4	5			
4								1	2	3			

ISSUES			
ISSUE #	DESCRIPTION	ISS. BY ISS. DATE	APP. BY APP. DATE
9	SEE ECN 17215	WD 3/17/10	MCM 3/17/10
10	SEE ECN 20063. UPDATED FORMAT LOGO FROM: C&D TO: UNIPOWER	KEL 02/02/15	DBW 2/6/15
UNLESS OTHERWISE SPECIFIED DIMENSIONS ARE IN INCHES TOLERANCES ON:		APPROVALS	DATE
±		DRAWN CLD	11-04-88
HOLES	+0.004 -0.002	CHECKED JW	01-11-96
FRACTIONS	±1/32	APPROVED JS	01-11-96
DECIMALS (xx)	±0.020	APPROVED	
DECIMALS (xxx)	±0.010	APPROVED	
ANGLES	±1/2°		
SQUARE CORNERS AND ANGLES ARE 90° UNLESS OTHERWISE SPECIFIED.			
WORKMANSHIP: PER SPEC ENG032			
MATERIAL:			
FINISH:			
PROPRIETARY INFORMATION NOT TO BE COPIED, USED, TRANSMITTED, OR DISCLOSED WITHOUT PRIOR WRITTEN PERMISSION FROM UNIPOWER, LLC.			
 UNIPOWER Powering Technology			
FUSE PANEL 2 x 61-600 AMP TPL 5.25 X 23"			
SIZE B	DOC TYPE / NUMBER PN 111B-3074	ISSUE 10	
SCALE: NONE	SHEET: 1 OF 4	FILE NAME: PN111B-3074_SHT_1_ISS_10	

A

A

B

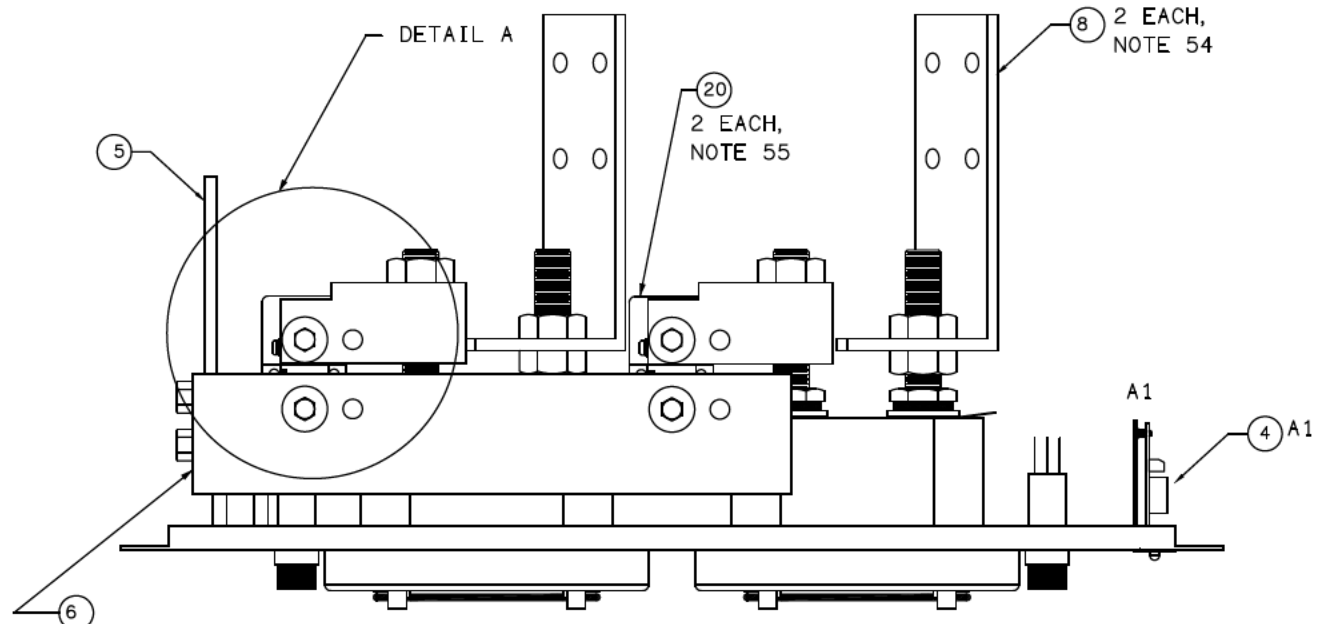
B

C

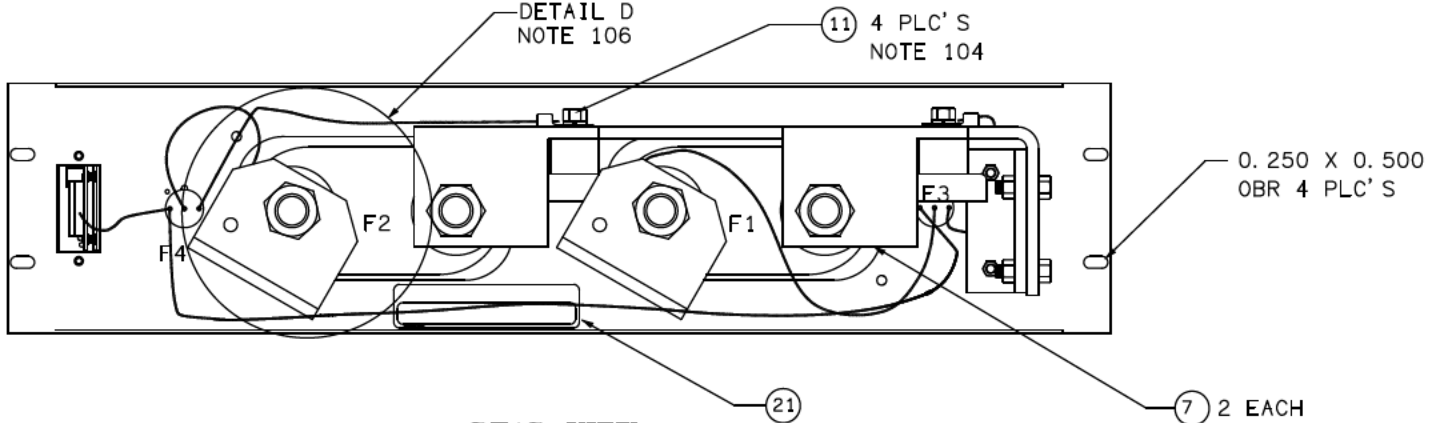
C

D

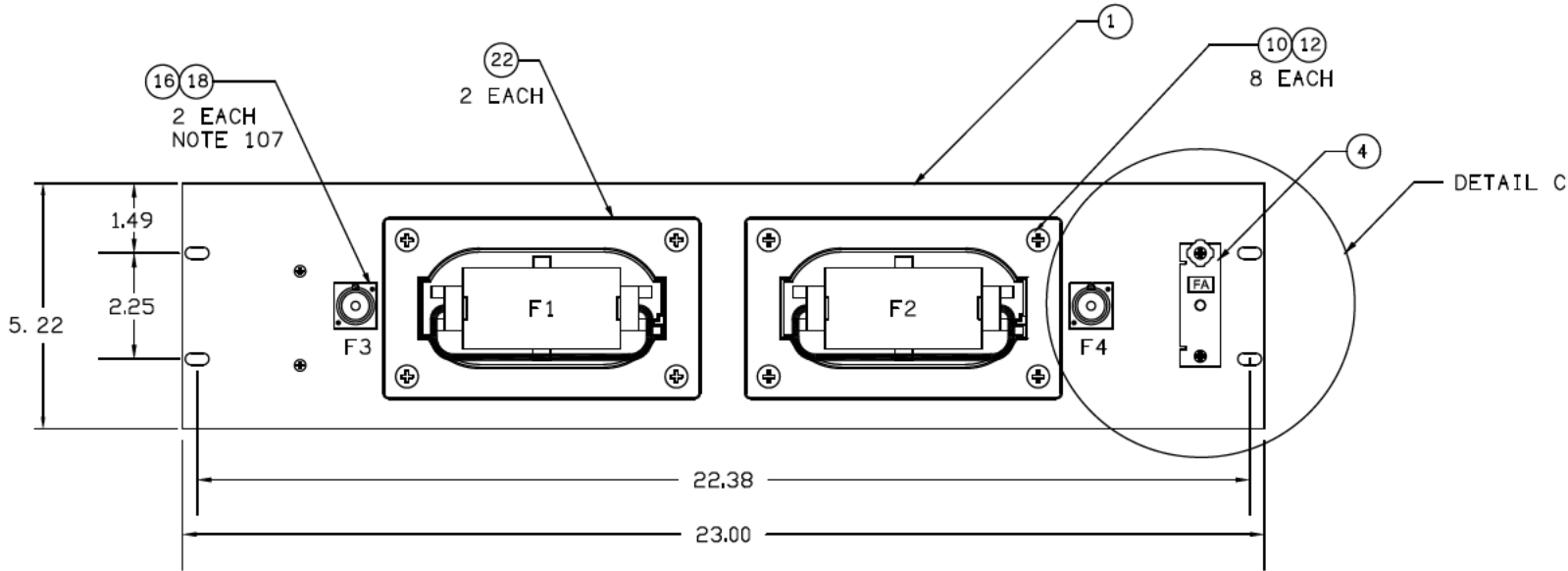
D



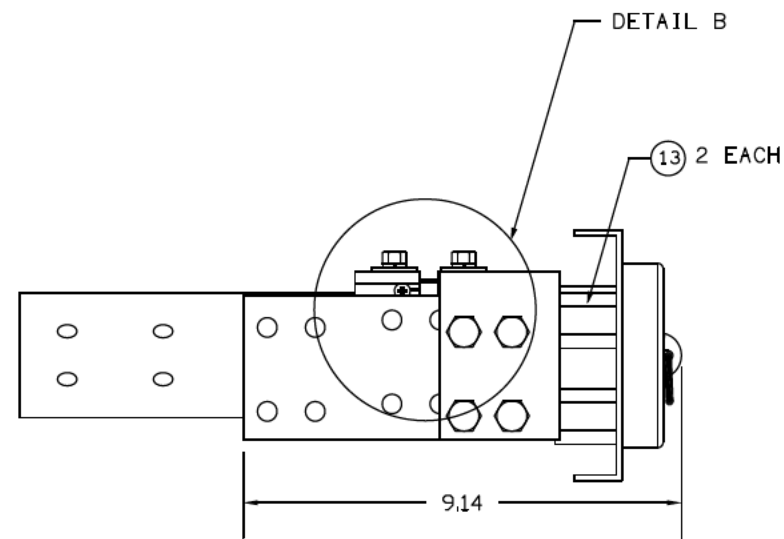
TOP VIEW
(111B-3074-11 SHOWN)
(WIRING NOT SHOWN)



REAR VIEW
(111B-3074-11 SHOWN)

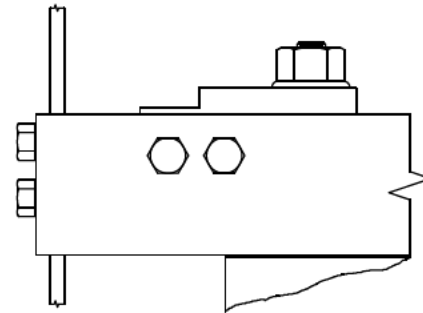


FRONT VIEW
(111B-3074-11 SHOWN)

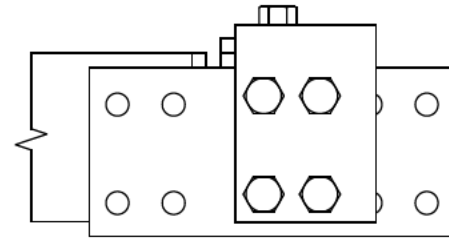


LEFT SIDE VIEW
(111B-3074-11 SHOWN)

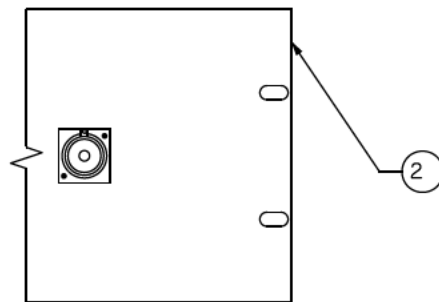
PROPRIETARY INFORMATION NOT TO BE COPIED, USED, TRANSMITTED, OR DISCLOSED WITHOUT PRIOR WRITTEN PERMISSION FROM UNIPOWER, LLC.		
SIZE B	DOC TYPE / NUMBER PN 111B-3074	ISSUE 7
SCALE: NONE	SHEET: 2 OF 4	FILE NAME: PN111B-3074_SHT_2_ISS_7



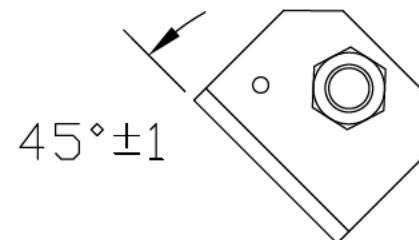
111B-3074-00,01
W/O SHUNT
DETAIL A



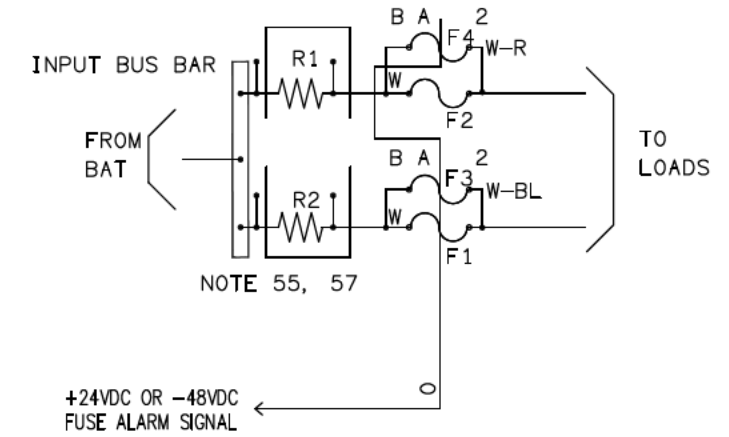
111-3074-00,01
W/O SHUNT
DETAIL B



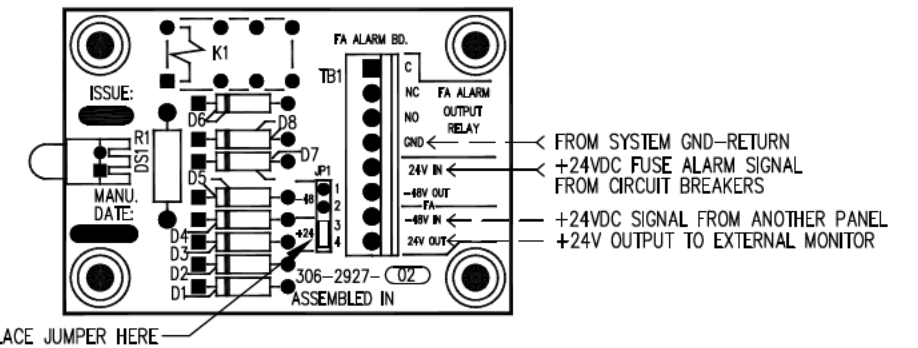
111B-3074-00,10
W/O FUSE ALARM
DETAIL C



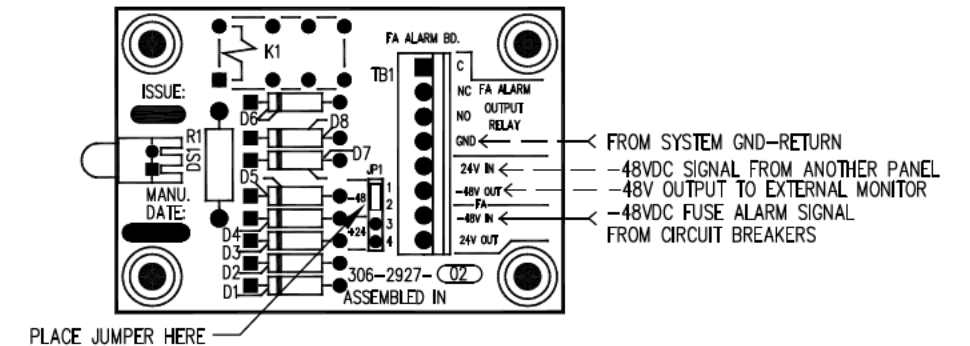
111B-3074-00,01,10,11
NOTE 106
DETAIL D



WIRING DETAIL FOR +24V



WIRING DETAIL FOR -48V



SCHEMATIC DIAGRAM

NOTES 56, 105

PROPRIETARY INFORMATION NOT TO BE COPIED, USED, TRANSMITTED, OR DISCLOSED WITHOUT PRIOR WRITTEN PERMISSION FROM UNIPOWER, LLC.		
SIZE B	DOC TYPE / NUMBER PN 111B-3074	ISSUE 5
SCALE: NONE	SHEET: 3 OF 4	FILE NAME: PN111B-3074_SHT_3_ISS_5

CALLOUT TABLE

LINE #	DESCRIPTION	PART NUMBERS	QUANTITY			
			-00	-01	-10	-11
1	FUSE PNL: 2-400/600A W/FUSE ALARM & SHUNTS	202-3534-12		1		1
	2X600A FUSE PANEL, 23"	202-3534-13	1		1	
	ASSY: ALARM BOARD, BKT, LABEL, FOR FA	385.5152.00		1		1
5	BUS BAR: INPUT BUS FOR 2-400/600A FUSE PNL	209-4342-00	1	1	1	1
	BUS BAR: INPUT TO SHUNT FOR 2-400/600A...	209-4343-00	1	1	1	1
	BUS BAR: SHUNT TO FUSE FOR 2-400/600A...	209-4344-00	2	2	2	2
	BUS BAR: LUG ADAPTER, 600A	209-4385-00	2	2	2	2
10	SCREW: STL, MS, 1/4-20 X 1.5" FH, PHIL	210-1917-00	8	8	8	8
	BOLT, HEX, SIL, BRONZE: 3/8-16 X 3/4"	210-8128-00			4	4
	NUT, HEX: "KEP", 1/4-20 ZINC STL	211-0501-00	8	8	8	8
	SPACER: HEATSINK, HEX FIBERGLASS, 1", GLASTIC	213-1409-00	2	2	2	2
15	FUSE HOLDER: SINGLE-70, COMPLETE	275-0500-01	2	2	2	2
	FUSE: 1-1/3 AMP	JL00378		2		2
	FUSE "DUMMY": .25" X 1.25" TYPE 70	276-0001-00		2		2
20	RES, SHUNT: METER, 600A 50mv	695-1093-03			2	2
	LABEL, NOMENCLATURE: GENERAL MISC, 0.9" X 4"	225-3094-09	1	1	1	1
	FUSEHOLDER: 600A DEADFRONT	275-1606-00	2	2	2	2
25						

PROPRIETARY INFORMATION NOT TO BE COPIED, USED, TRANSMITTED, OR DISCLOSED WITHOUT PRIOR WRITTEN PERMISSION FROM UNIPOWER, LLC.		
SIZE B	DOC TYPE / NUMBER PN 111B-3074	ISSUE 3
SCALE: NONE	SHEET: 4 OF 4	FILE NAME: PN111B-3074_SHT_4_ISS_3