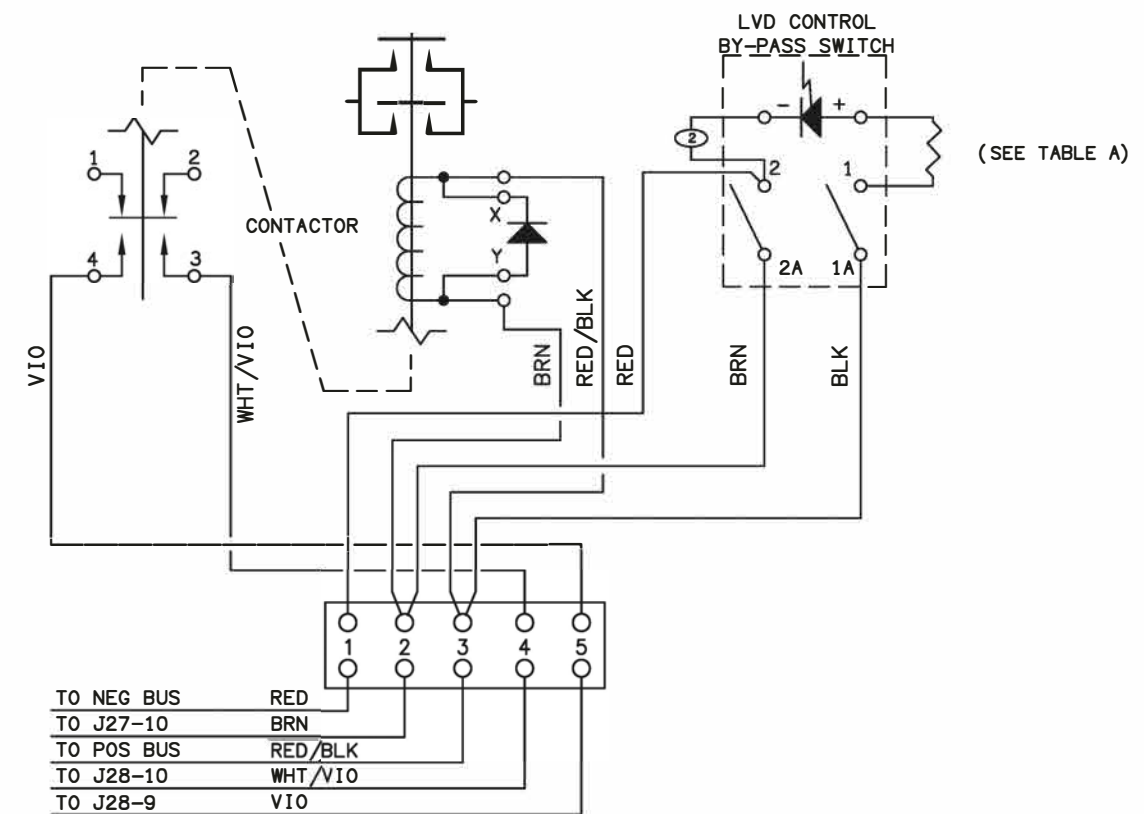
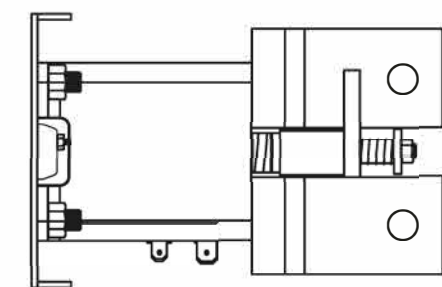
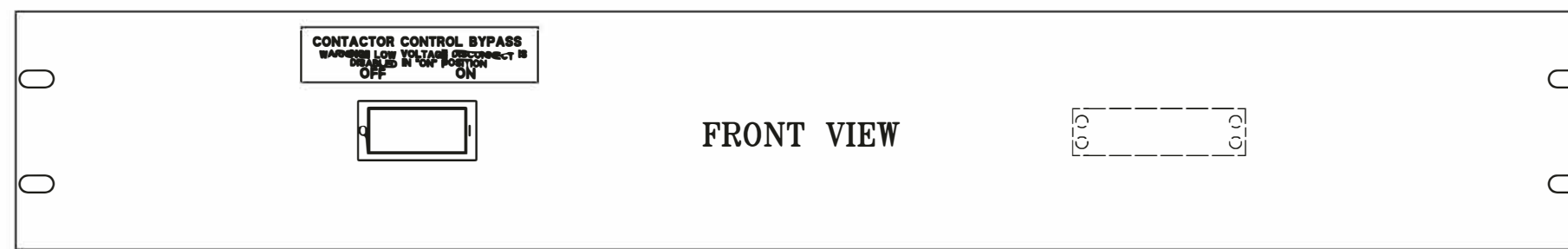
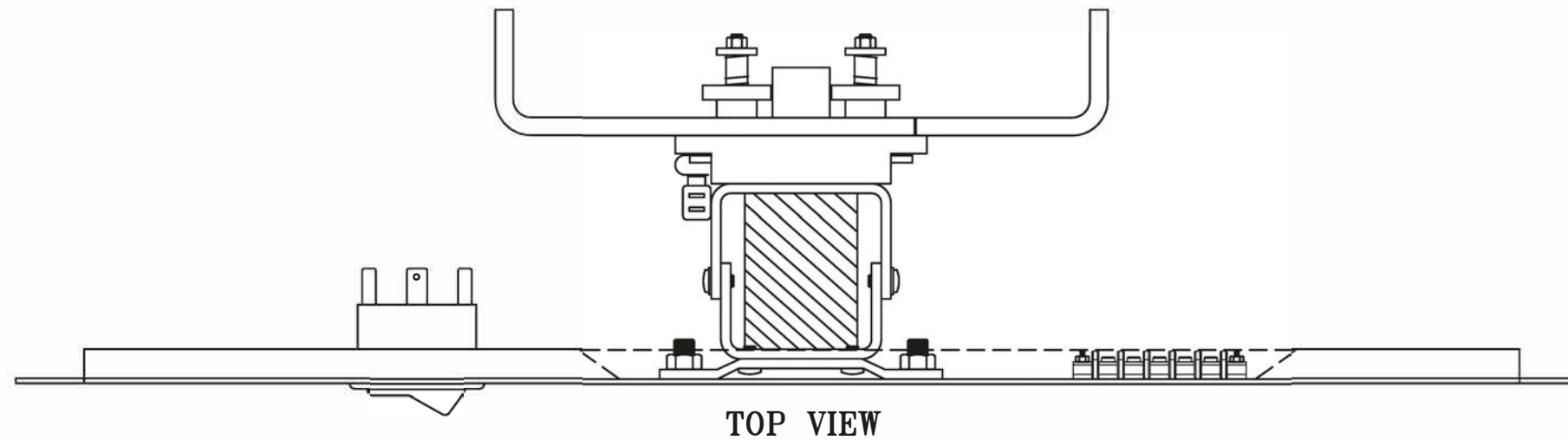
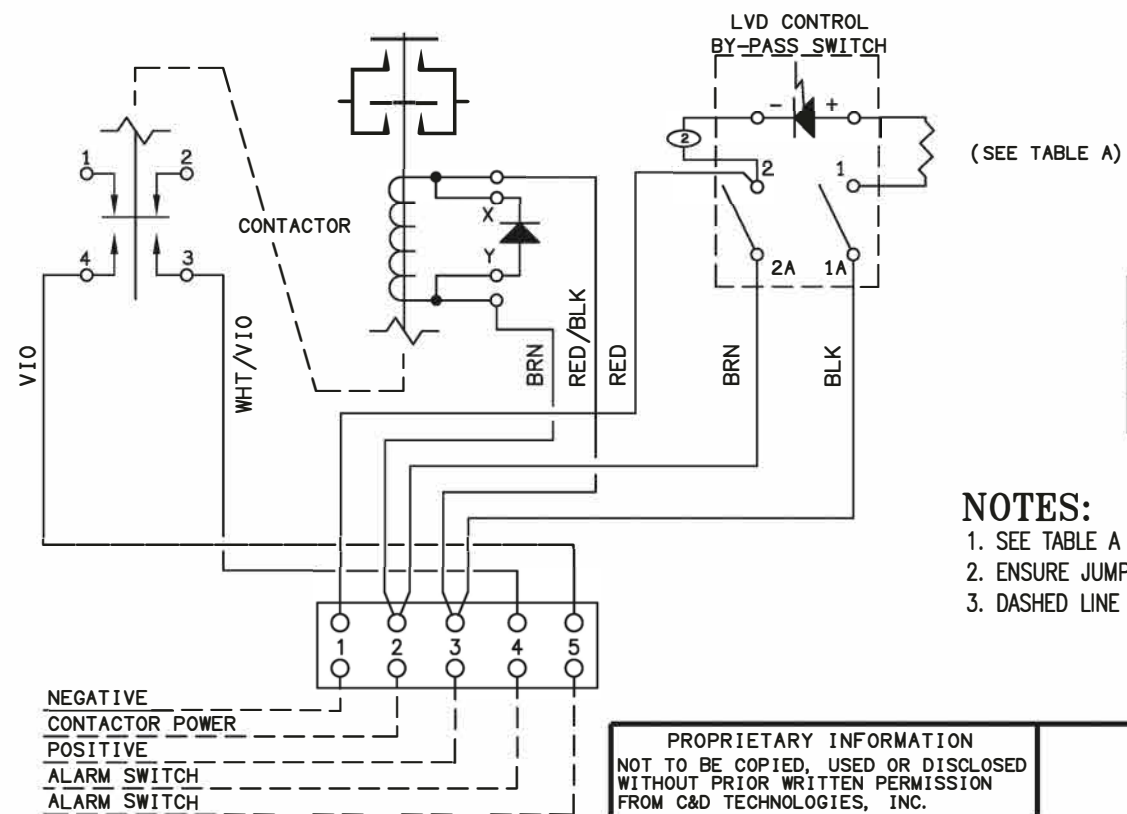


ISSUES		
ISSUE	DESCRIPTION	APPROVE
5	SEE ECN 16348	6/24/08
	KEL	MCM
6	ECN 17406 WD 8/27/10	MCM 8/30/10



**WIRING SCHEMATIC
+24 / -48 VDC
FOR USE WITH SAGEON PRODUCTS
(SEE NOTE 2)**




**WIRING SCHEMATIC
+24 / -48 VDC
NON-SAGEON PRODUCTS**

TABLE A		
MODEL NUMBER	111B-3295-00 (-48V)	111B-3295-24 (+24V)
CONTACTOR NO.	246.0841.00	246.0625.02
RESISTOR	655.0460.00 (10K 1/2W)	650.0150.00 (4.7K, 1/4W)

- NOTES:**
- SEE TABLE A FOR 'MODEL SPECIFIC' INFORMATION.
 - ENSURE JUMPER WIRE FROM J27-9 TO NEGATIVE EXISTS OR INSTALL.
 - DASHED LINE ON WIRING DENOTES CUSTOMER SUPPLIED, CUSTOMER CONNECTED.

DOC TYPE/NUMBER
PN 111B-3295-XX

PROPRIETARY INFORMATION NOT TO BE COPIED, USED OR DISCLOSED WITHOUT PRIOR WRITTEN PERMISSION FROM C&D TECHNOLOGIES, INC.		 Powering Technology	
APPROVALS DRAWN GWH CHECKED DMB MFG APPROVED ENGR APPROVED		DATE 06-29-04 06-29-04	
23" SAGEON EXTERNAL LVD PANEL 24/48 VOLT, 600AMP MAX			
SIZE B		RATING STANDARD	
SCALE N/A		DIST. SHEET 9R 1	
FILE PN111B-3295-XX_ISS_6		DOC TYPE / NUMBER PN 111B-3295-XX ISSUE 6	