

A

B

C

D

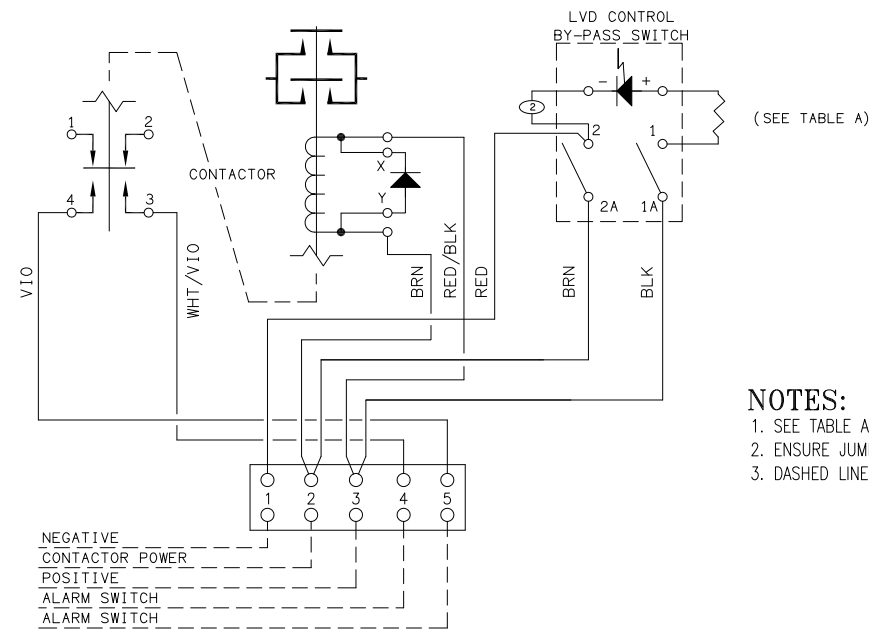
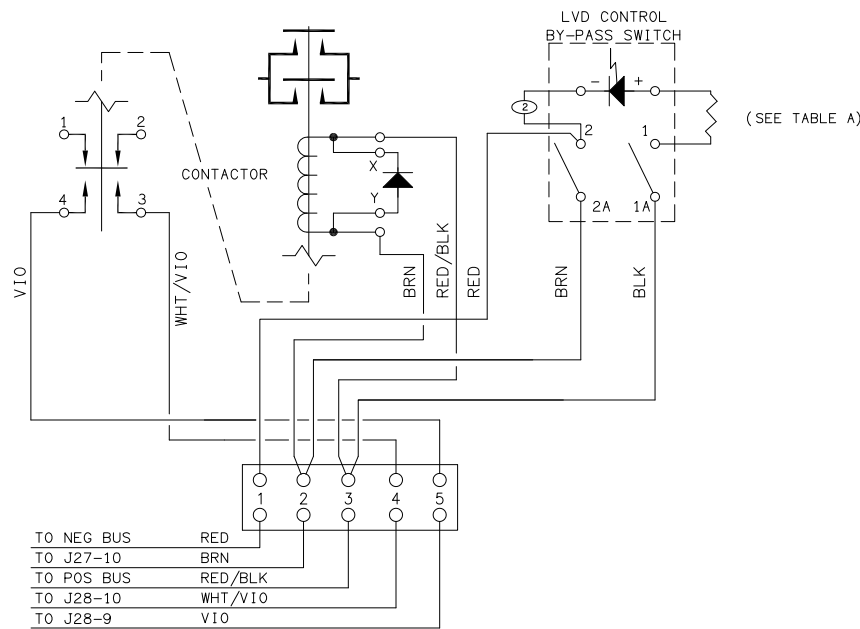
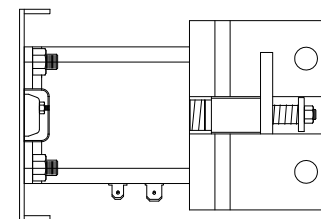
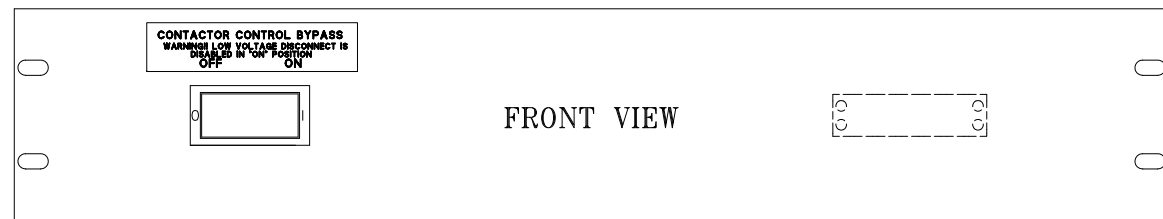
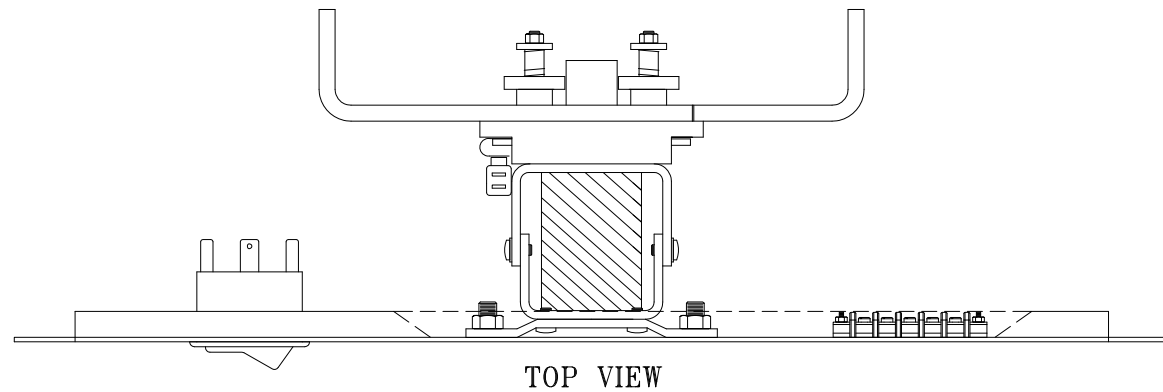


TABLE A		
MODEL NUMBER	111B-3296-00 (-48V)	111B-3296-24 (+24V)
CONTACTOR NO.	246.0841.00	246.0625.02
RESISTOR	655.0460.00 (10K 1/2W)	650.0150.00 (4.7K 1/4W)

- NOTES:**
- SEE TABLE A FOR 'MODEL SPECIFIC' INFORMATION.
  - ENSURE JUMPER WIRE FROM J27-9 TO NEGATIVE EXISTS OR INSTALL.
  - DASHED LINE ON WIRING DENOTES CUSTOMER SUPPLIED, CUSTOMER CONNECTED.

**ISSUES**

ISSUE #	DESCRIPTION	ISS. BY ISS. DATE	APP. BY APP. DATE
3	SEE ECN 17374.	WD 8/4/10	MCM 8/5/10
4	SEE ECN 17406.	WD 8/27/10	MCM 8/30/10
5	SEE ECN 20354.	WD 9/16/15	MCM 9/18/15

UNLESS OTHERWISE SPECIFIED DIMENSIONS ARE IN INCHES TOLERANCES ON:		APPROVALS	DATE
HOLES	+0.004 -0.002	DRAWN GWH	11/12/04
FRACTIONS	±1/32	CHECKED DMB	11/12/04
DECIMALS (XX)	±0.020	APPROVED MCM	11/12/04
DECIMALS (XXX)	±0.010	APPROVED	
ANGLES	±1/2°		

SQUARE CORNERS AND ANGLES ARE 90° UNLESS OTHERWISE SPECIFIED.

WORKMANSHIP:

MATERIAL:

FINISH:

**PROPRIETARY INFORMATION**  
NOT TO BE COPIED, USED, TRANSMITTED, OR DISCLOSED WITHOUT  
PRIOR WRITTEN PERMISSION FROM UNIPOWER, LLC.



19" SAGEON EXTERNAL  
LVD PANEL  
24/48 VOLT, 600AMP MAX

SIZE	DOC TYPE / NUMBER	ISSUE
<b>B</b>	PN 111B-3296-XX	5

SCALE:	SHEET:	FILE NAME:
N/A	1 OF 1	PN111B-3296-XX_ISS_5