

1

2

3

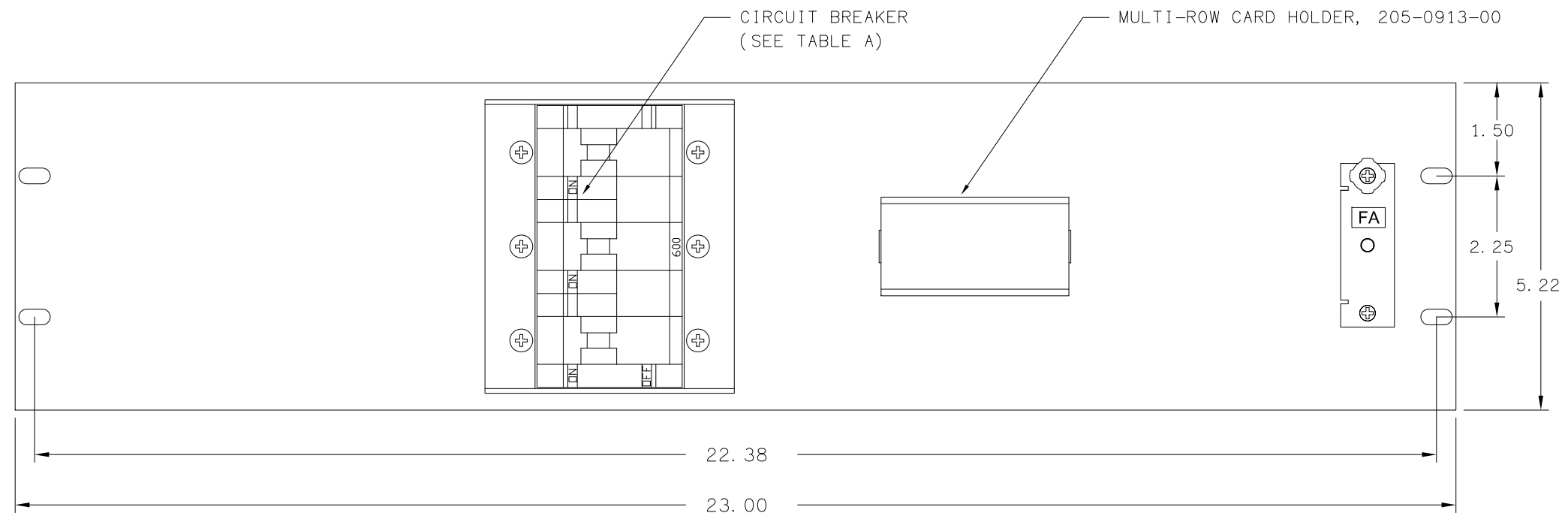
4

A

B

A

B



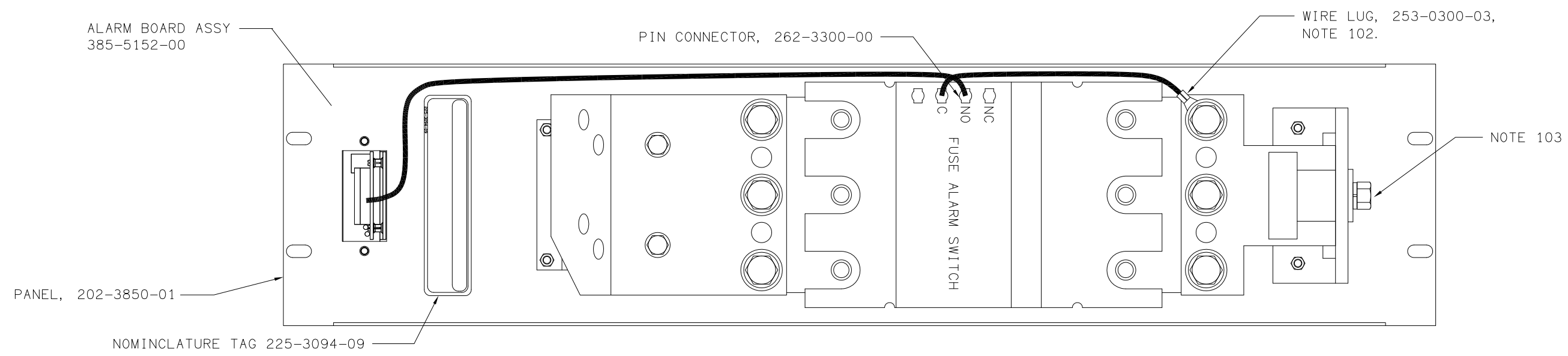
FRONT VIEW

C

D

C

D



REAR VIEW
WITH SHUNT (111-3762-10)

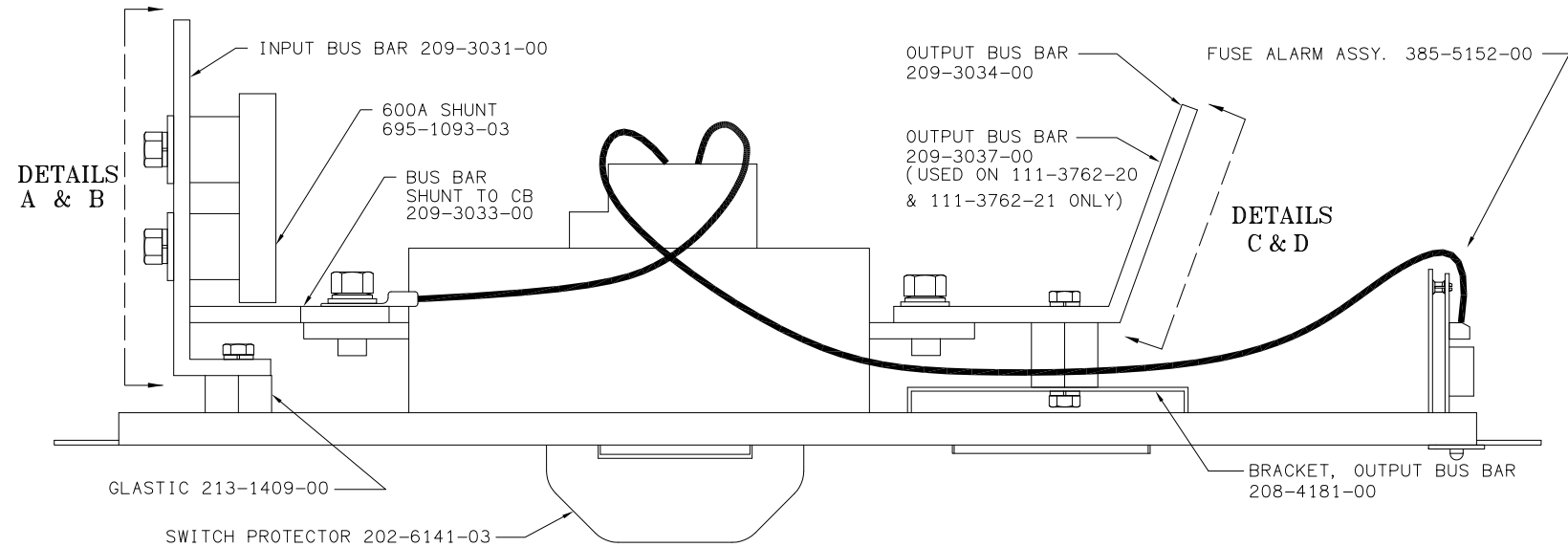
PROPRIETARY INFORMATION		
NOT TO BE COPIED, USED, TRANSMITTED, OR DISCLOSED WITHOUT PRIOR WRITTEN PERMISSION FROM UNIPOWER, LLC.		
SIZE B	DOC TYPE / NUMBER PN 111-3762	ISSUE 5
SCALE: N/A	SHEET: 2 OF 3	FILE NAME: PN111-3762_SHT_2_ISS_5

1

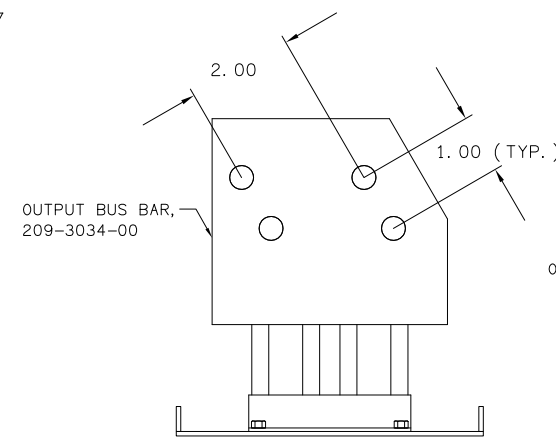
2

3

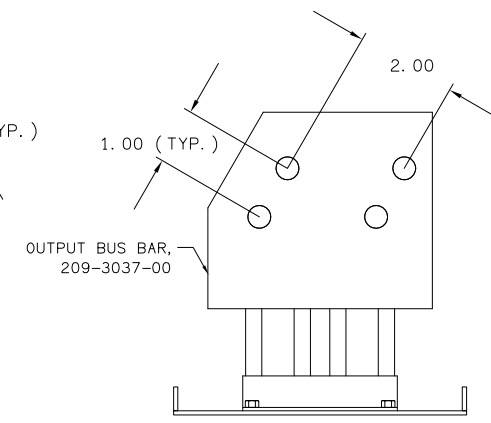
4



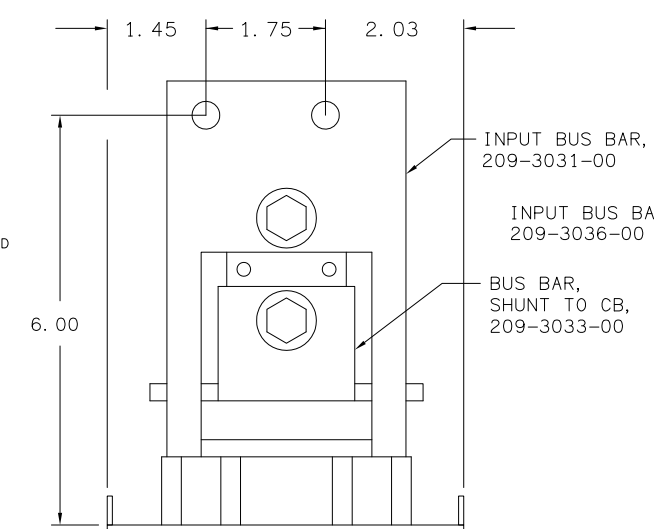
TOP VIEW WITH SHUNT (111-3762-10)



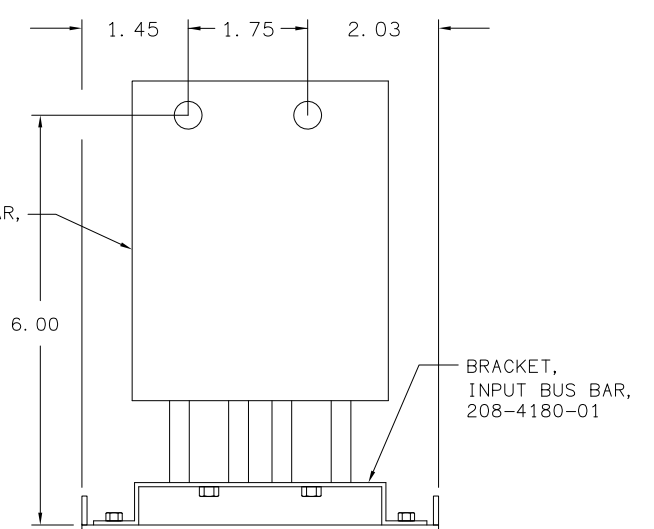
DETAIL C



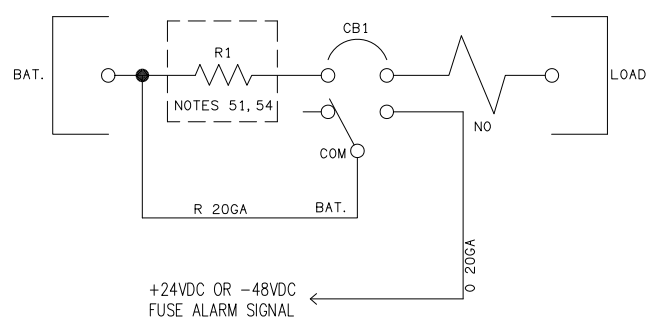
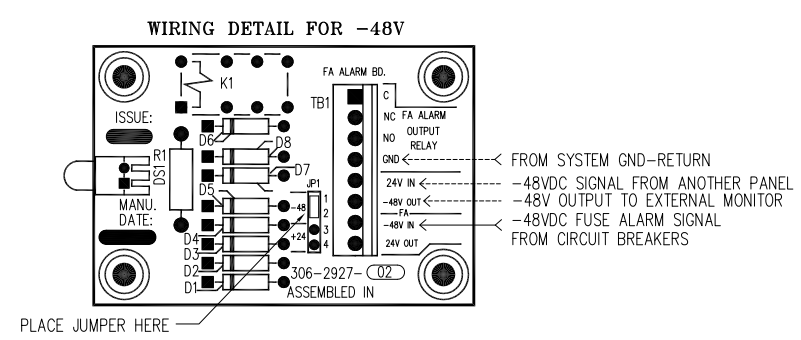
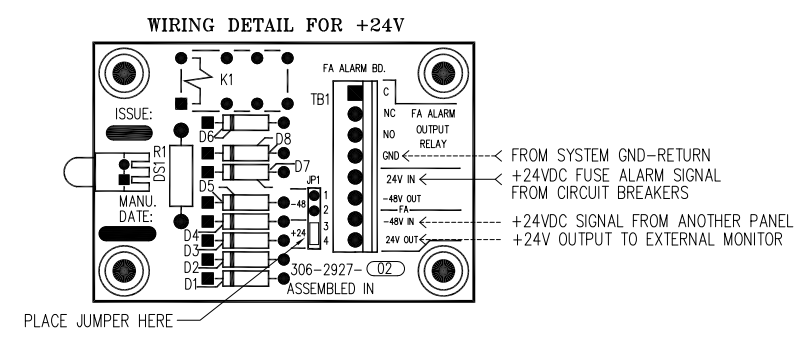
DETAIL D



DETAIL A WITH SHUNT (111-3762-10,-11)



DETAIL B WITHOUT SHUNT (111-3762-00,-01, -20, -21)



SCHEMATIC DIAGRAM

PROPRIETARY INFORMATION		
NOT TO BE COPIED, USED, TRANSMITTED, OR DISCLOSED WITHOUT PRIOR WRITTEN PERMISSION FROM UNIPOWER, LLC.		
SIZE B	DOC TYPE / NUMBER PN 111-3762	ISSUE 5
SCALE: N/A	SHEET: 3 OF 3	FILE NAME: PN111-3762_SHT_3_ISS_5