

ENGINEERING NOTES:

- 51. NORMAL SHUNT RATINGS ARE DETERMINED BY TABLE "A". HOWEVER, OTHER CURRENT RATINGS MAY BE SPECIFIED.
- 52. THE INPUT COPPER BAR IS DESIGNED FOR DIRECT CONNECTION TO UNIPOWER VERTICAL BUS BAR SYSTEMS. FOR OTHER SYSTEMS, HOLES ARE PROVIDED FOR BOLT-ING LUGGED CABLES. INPUT LUGS ARE NOT PROVIDED, BUT MAY BE ORDERED SEPARTELY.
- 53. UNIPOWER'S STANDARD PAINT IS ANSI 61 GRAY.
- 54. PANELS NOT EQUIPPED WITH A SHUNT, (TABLE A), DO NOT INCLUDE R1 OR R2.

MANUFACTURING NOTES:

- 101. A COMPOUND SUCH AS CRAMOLIN 81Rh WILL BE APPLIED TO ALL JOINTED FLAT CONDUCTIVE SURFACES PER THE MANUFACTURER'S INSTRUCTIONS.
- 102. MOUNT WIRE LUG BETWEEN BUS BAR AND LARGE MOUNTING WASHER.
- 103. REPLACE BOLTS SUPPLIED WITH SHUNT WITH 3/8" x 16 x 3/4" BOLTS, (210-8128-00). USE WASHERS SUPPLIED WITH SHUNT.
- 104. ALL WIRES ARE 20 GA UNLESS OTHERWISE NOTED.

TABLE A

REF. RTG.	PANEL	E/W SHUNT	SHUNT RTG. & P/N	RATING	CIRCUIT BRKR & P/N
100A	111-3764-00	NO	N/A	STD	100A, 125VDC
	111-3764-10	YES	200A 695-1080-03	STD	(2) 271-1011-00
125A	111-3764-05	NO	N/A	SPL	125A, 125VDC
	111-3764-15	YES	200A 695-1080-03	SPL	(2) 271-1016-00
150A	111-3764-01	NO	N/A	STD	150A, 125VDC (2) 271-1018-00
	111-3764-11	YES	200A 695-1080-03	STD	
	111-3764-21	YES	600A 695-1093-03	STD	
175A	111-3764-02	NO	N/A	STD	175A, 125VDC
	111-3764-12	YES	200A 695-1080-03	STD	(2) 271-1025-00
200A	111-3764-06	NO	N/A	STD	200A, 125VDC
	111-3764-16	YES	600A 695-1093-03	STD	(2) 271-1023-10
225A	111-3764-03	NO	N/A	STD	225A, 125VDC
	111-3764-13	YES	600A 695-1093-03	STD	(2) 271-1026-01
250A	111-3764-04	NO	N/A	STD	250A, 125VDC
	111-3764-14	YES	600A 695-1093-03	STD	(2) 271-1033-00

SHEET INDEX NOTE:

THE ISSUE OF SHEET 1 REFLECTS THE LATEST ISSUE OF THE DRAWING SET. WHEN THE DRAWING SET IS REVISED, ONLY THE ISSUE NUMBERS OF MODIFIED SHEETS ARE CHANGED. THE ISSUE NUMBERS OF UNMODIFIED SHEETS ARE NOT CHANGED.

SHEET INDEX

SHEET NUMBER	ISSUE NUMBER									
	8	9	10	11	12	13	14	15	16	
1	8	9	10							
2	5	5	6							
3	2	2	3							

ISSUES

ISSUE #	DESCRIPTION	ISS. BY ISS. DATE	APP. BY APP. DATE
10	SEE ECN 20042. UPDATED LOGO/VERBAGE TO STATE UNIPOWER.	WD 1/29/15	MCM 1/30/15

UNLESS OTHERWISE SPECIFIED DIMENSIONS ARE IN INCHES TOLERANCES ON:		APPROVALS	DATE
±		DRAWN MWY	10/30/89
HOLES	+0.004 -0.002	CHECKED	
FRACTIONS	±1/32	APPROVED MCM	4/1/04
DECIMALS (XX)	±0.020	APPROVED	
DECIMALS (XXX)	±0.010		
ANGLES	±1/2°		

SQUARE CORNERS AND ANGLES ARE 90° UNLESS OTHERWISE SPECIFIED.

WORKMANSHIP:
PER SPEC ENG032

MATERIAL:

FINISH:



2X(100-225A), GJ1, HEINEMANN, CIRCUIT BREAKER PANEL WITH ALARM SWITCH & FUSE ALARM

SIZE	DOC TYPE / NUMBER	ISSUE
B	PN 111-3764	10

SCALE:	SHEET:	FILE NAME:
N/A	1 OF 3	PN111-3764_SHT_1_ISS_10

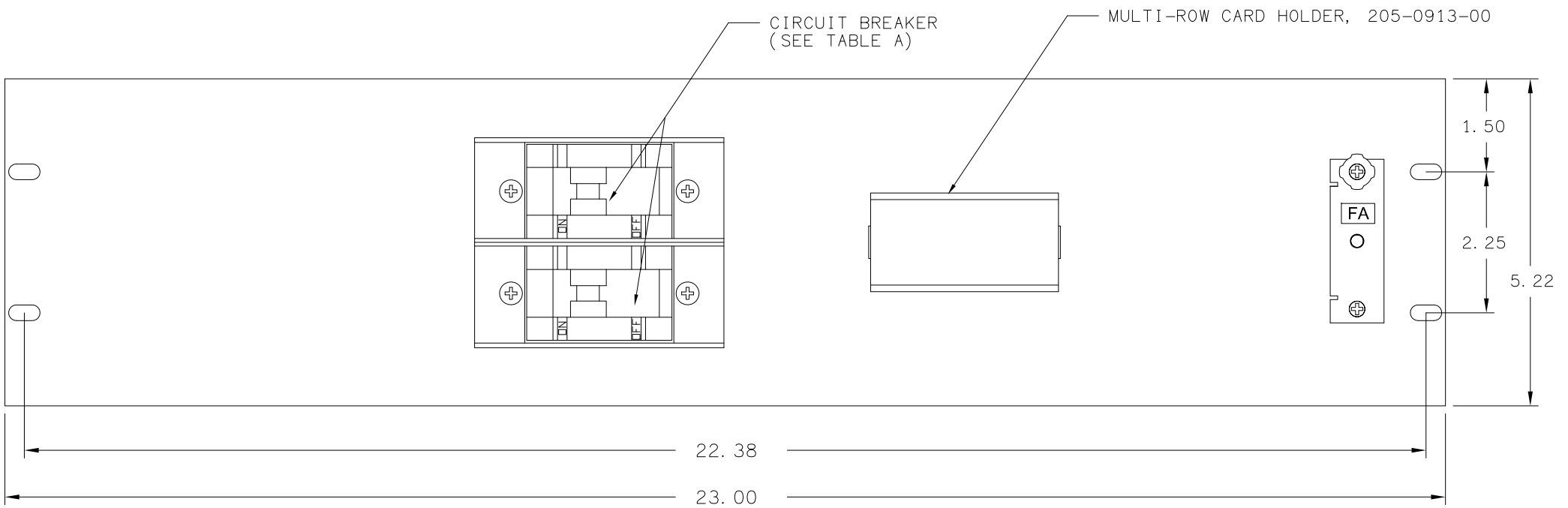
1 2 3 4

A

B

A

B



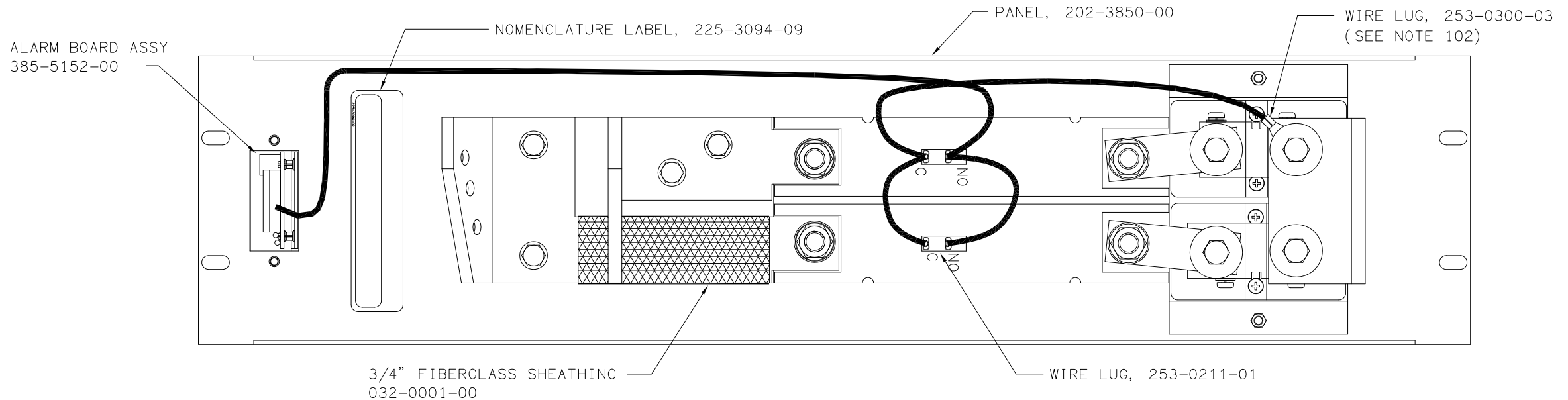
FRONT VIEW

C

D

C

D



REAR VIEW

1 2 3 4

PROPRIETARY INFORMATION NOT TO BE COPIED, USED, TRANSMITTED, OR DISCLOSED WITHOUT PRIOR WRITTEN PERMISSION FROM UNIPOWER, LLC.		
SIZE B	DOC TYPE / NUMBER PN 111-3764	ISSUE 6
SCALE: N/A	SHEET: 2 OF 3	FILE NAME: PN111-3764_SHT_2_ISS_6

1 2 3 4

A

B

C

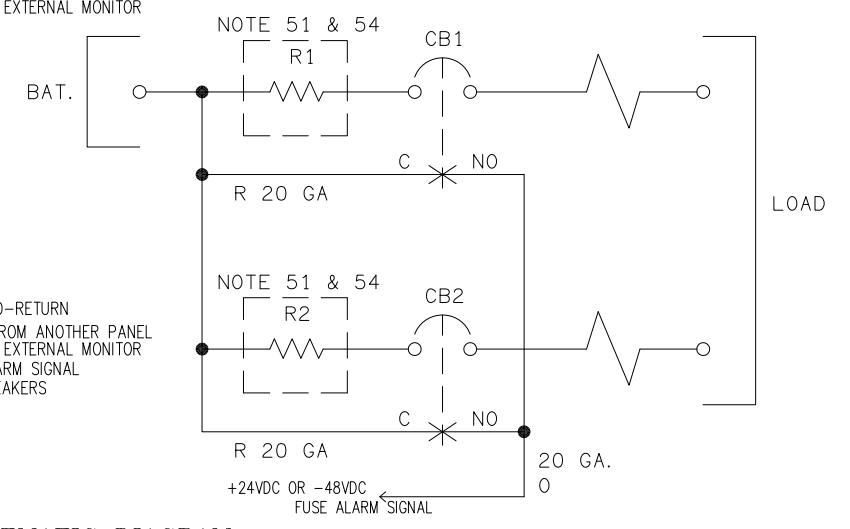
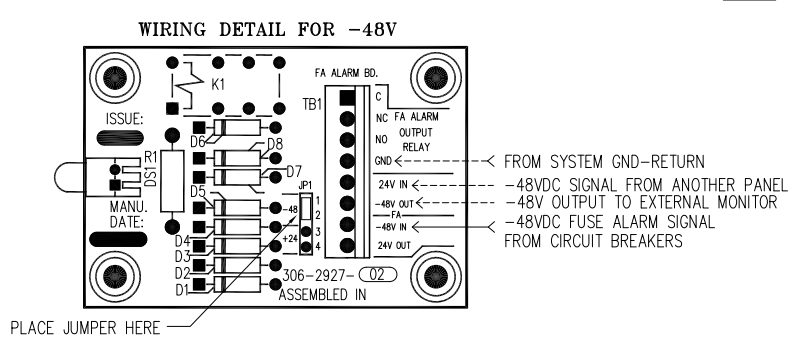
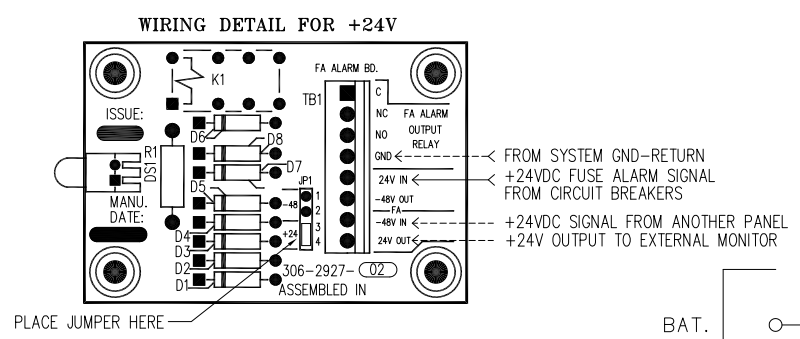
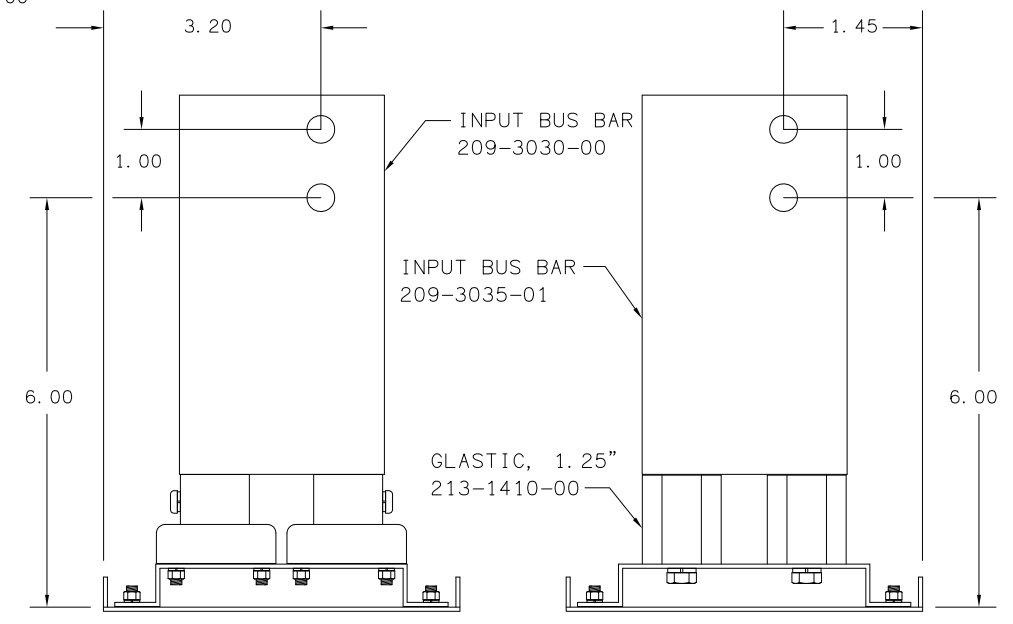
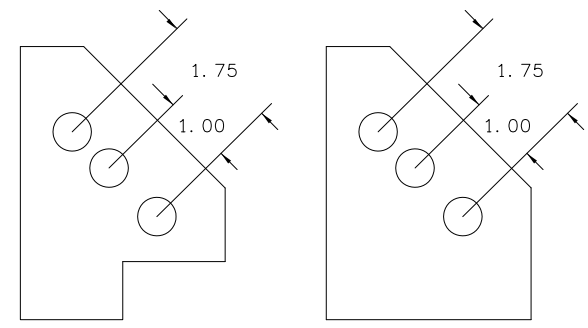
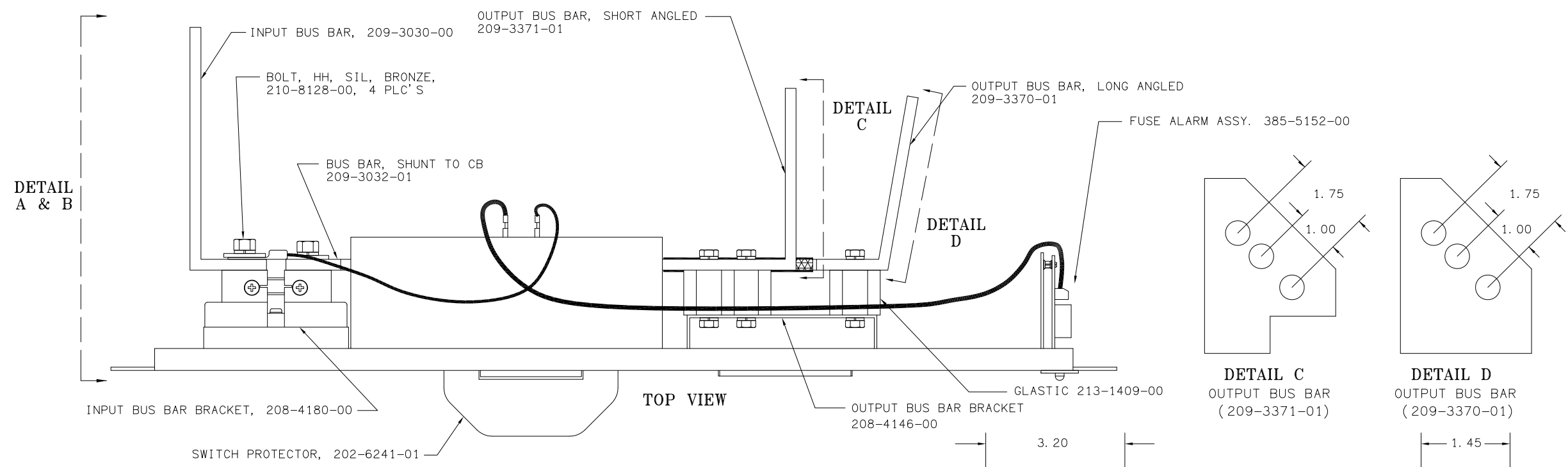
D

A

B

C

D



PROPRIETARY INFORMATION		
NOT TO BE COPIED, USED, TRANSMITTED, OR DISCLOSED WITHOUT PRIOR WRITTEN PERMISSION FROM UNIPOWER, LLC.		
SIZE B	DOC TYPE / NUMBER PN 111-3764	ISSUE 3
SCALE: N/A	SHEET: 3 OF 3	FILE NAME: PN111-3764_SHT_3_ISS_3

1 2 3 4