

ENGINEERING NOTES:

- 51. AMMETER SHUNTS ARE NORMALLY 600 AMPS, 50MV. HOWEVER, OTHER CURRENT RATINGS MAY BE SPECIFIED. PANELS NOT SPECIFIED WITH A SHUNT (TABLE "A") DO NOT INCLUDE R1.
- 52. THIS PANEL WILL ACCOMMODATE A MAXIMUM OF 24 5-100 AMP CIRCUIT BREAKERS OR 4, 125 AMP CIRCUIT BREAKERS. TOTAL PANEL AMPERAGE MUST NOT EXCEED 500 AMPS. ORDER CIRCUIT BREAKERS PER ED991-0009-00.
- 53. UNIPOWER'S STANDARD PAINT IS ANSI 61 GRAY.
- 54. THE INPUT COPPER BUS BAR IS DESIGNED FOR DIRECT CONNECTION TO UNIPOWER VERTICAL BUS BAR SYSTEMS. FOR OTHER SYSTEMS, HOLES ARE PROVIDED FOR BOLT-ING LUGGED CABLES.
- 55. TO COVER OPEN CIRCUIT BREAKER POSITIONS, ORDER BLANK COVERS, 213.3923.00, PER CIRCUIT BREAKER POSITION.
- 56. BUBBLE REFERENCE DESIGNATORS REFER TO CALLOUT TABLE LINE NUMBER.
- 57. PROVIDE ADEQUATE SPACE ABOVE THE CIRCUIT BREAKER PANEL FOR TURNING DISTRIBUTION CABLES. USE OF A ONE SPACE BLANK PANEL IS HIGHLY RECOMMENDED. ORDER BLANK 202-3245-00.

MANUFACTURING NOTES:

- 101. ANTI-OXIDATION COATING WILL BE APPLIED BETWEEN ALL LAYERS OF LAMINATED COPPER BUS STRUCTURE. A COMPOUND SUCH AS CRAMOLIN 81Rh WILL BE APPLIED TO ALL JOINTED FLAT SURFACES PER MANUFACTURER'S INSTRUCTIONS.
- 102. MOUNT WIRE LUG BETWEEN BUS BAR AND 1/4" FLAT WASHER.
- 103. THE REMAINING EXCESS OF ALARM WIRE MUST BE WOUND UP AND TIED TO THE BUS BAR WITH A TIE WRAP. THIS WIRE WILL BE USED FOR ADDITIONAL CIRCUIT BREAKERS.
- 104. WHEN CONNECTING ADDITIONAL CIRCUIT BREAKERS, THE ALARM CONNECTION FROM THE BREAKER (NO) TO THE FA SIGNAL "IN" IS COMPLETED BY DAISY CHAINING EACH CIRCUIT BREAKER WITH PUSH-ON.
- 105. THE ALARM WIRE LENGTH IS 52" LONG TO ALLOW FOR 24 CIRCUIT BREAKERS. (WHEN CIRCUIT BREAKERS ARE ADDED, A 2" LENGTH MUST BE CUT FROM THE REMAINING WIRE FOR EACH BREAKER. THIS 2" LENGTH MUST THEN BE JOINED WITH THE REMAINING ALARM WIRE BY A CRIMP TYPE PUSH-ON.) IF CRIMPING TOOLS ARE NOT AVAILABLE, THE PUSH-ON MAY BE SOLDERED.
- 106. LUGS AND PUSH-ONS ARE USED FOR CONNECTING EACH ALARM CONTACT (C) OF THE CIRCUIT BREAKER TO THE BUS BAR. EACH CONNECTION FROM THE ALARM CONTACT TO THE BUS BAR IS COMPLETED SEPARATELY.
- 107. WHEN A SHUNT IS REQUIRED, REPLACE ITS' BOLTS AS SHOWN IN DETAIL B. USE BRASS WASHERS SUPPLIED WITH THE SHUNT.

TABLE A

| PANEL | E/W SHUNT |
|-------------|-----------|
| 111-3765-00 | NO |
| 111-3765-10 | YES |

SHEET INDEX NOTE:

THE ISSUE OF SHEET 1 REFLECTS THE LATEST ISSUE OF THE DRAWING SET. WHEN THE DRAWING SET IS REVISED, ONLY THE ISSUE NUMBERS OF MODIFIED SHEETS ARE CHANGED. THE ISSUE NUMBERS OF UNMODIFIED SHEETS ARE NOT CHANGED.

SHEET INDEX

| | | | | | | |
|-------|---|---|---|--|--|--|
| SH NO | 1 | 2 | 3 | | | |
| ISSUE | 8 | 7 | 7 | | | |

ISSUES

| ISSUE # | DESCRIPTION | ISS. BY ISS. DATE | APP. BY APP. DATE |
|---------|---|----------------------|----------------------|
| 8 | SEE ECN 20042. UPDATED LOGO/VERBIAGE TO STATE UNIPOWER. | WD 1/29/15 | MCM 1/30/15 |

| UNLESS OTHERWISE SPECIFIED DIMENSIONS ARE IN INCHES TOLERANCES ON: | APPROVALS | | DATE |
|--|-----------------|--------------|--------|
| | ± | DRAWN MWY | |
| HOLES +0.004 -0.002 | CHECKED SS | | 2/2/90 |
| FRACTIONS ±1/32 | APPROVED MCM | | 2/5/04 |
| DECIMALS (xx) ±0.020 | APPROVED | | |
| DECIMALS (xxx) ±0.010 | | | |
| ANGLES ±1/2' | | | |

SQUARE CORNERS AND ANGLES ARE 90° UNLESS OTHERWISE SPECIFIED.

WORKMANSHIP:
PER SPEC ENG032

MATERIAL:

FINISH:

PROPRIETARY INFORMATION
NOT TO BE COPIED, USED, TRANSMITTED, OR DISCLOSED WITHOUT PRIOR WRITTEN PERMISSION FROM UNIPOWER, LLC.

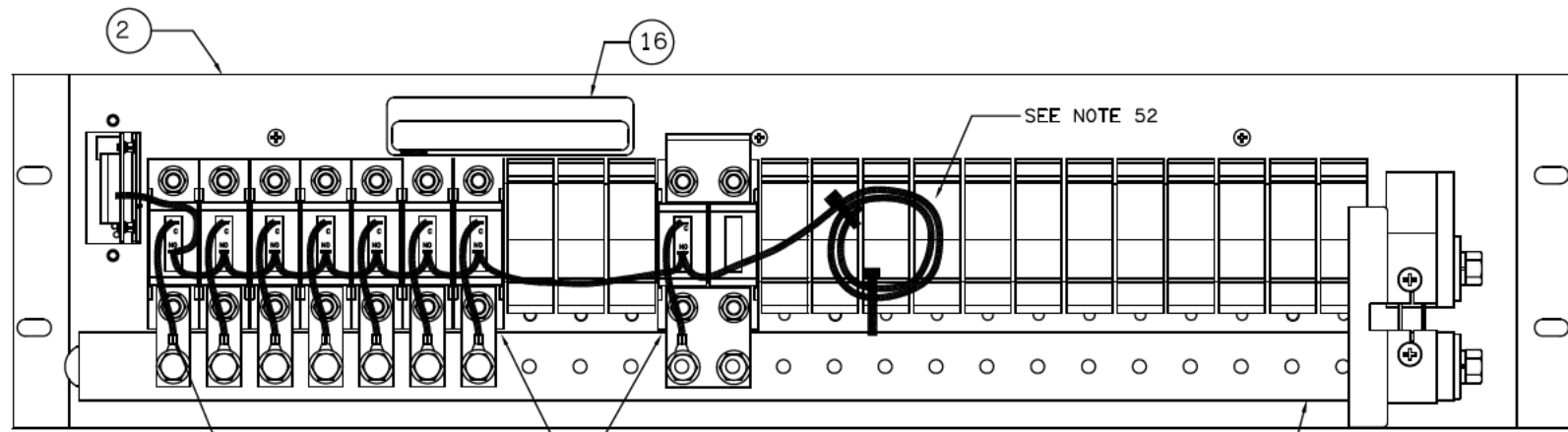


24V/NEG GND & -48V/POS GND
AM1 5-125 AMP, CKT BKR PNL
W/ALM SWITCH AND FUSE ALM

| SIZE | DOC TYPE / NUMBER | ISSUE |
|----------|-------------------|-------|
| B | PN 111-3765 | 8 |

| SCALE: | SHEET: | FILE NAME: |
|--------|--------|------------------------|
| N/A | 1 OF 3 | PN111-3765_SHT_1_ISS_8 |

1 2 3 4



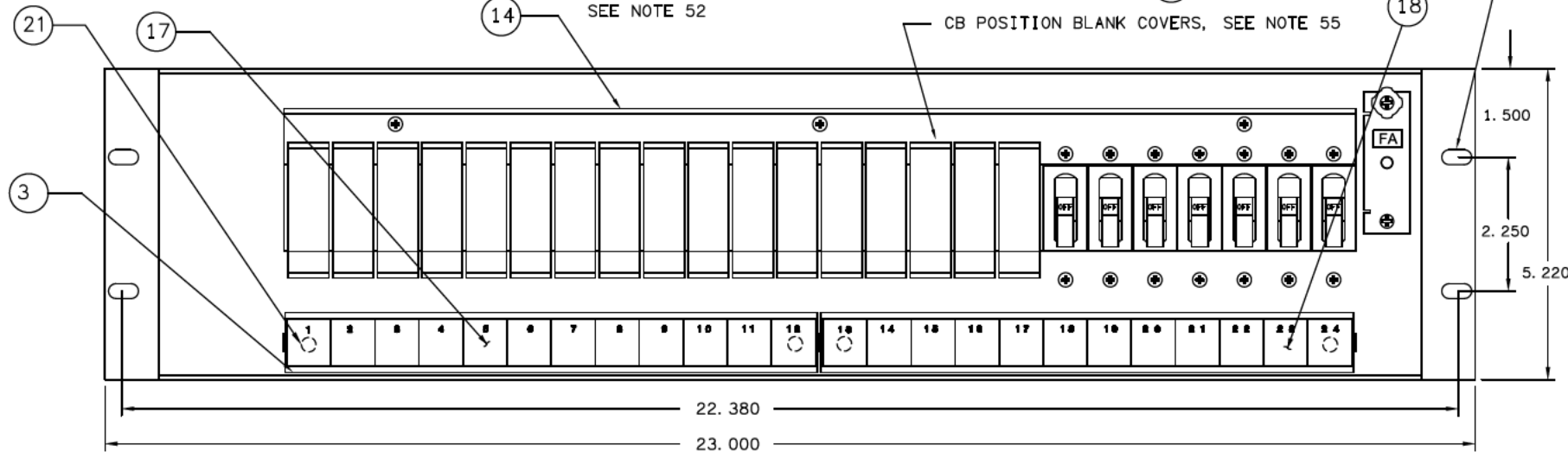
REAR VIEW

SEE NOTE 102

CIRCUIT BREAKER KIT
SEE NOTE 52

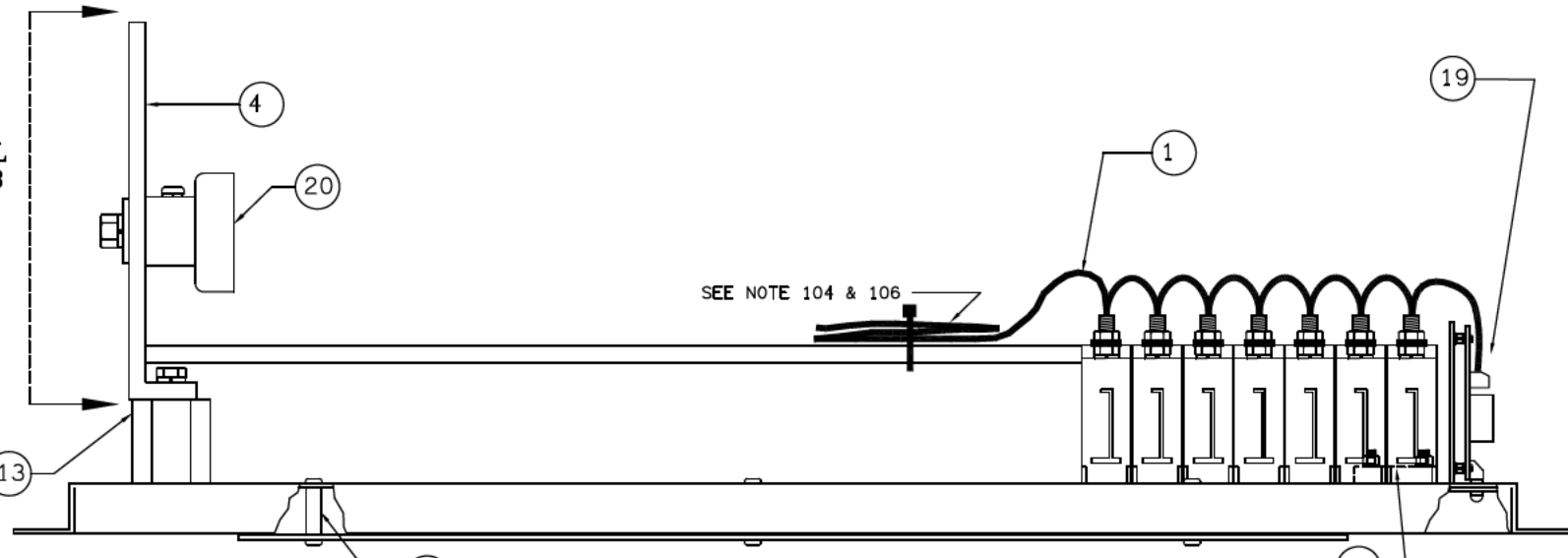
CB POSITION BLANK COVERS, SEE NOTE 55

0.250 X 0.500 OBR
4 PLC'S



FRONT VIEW

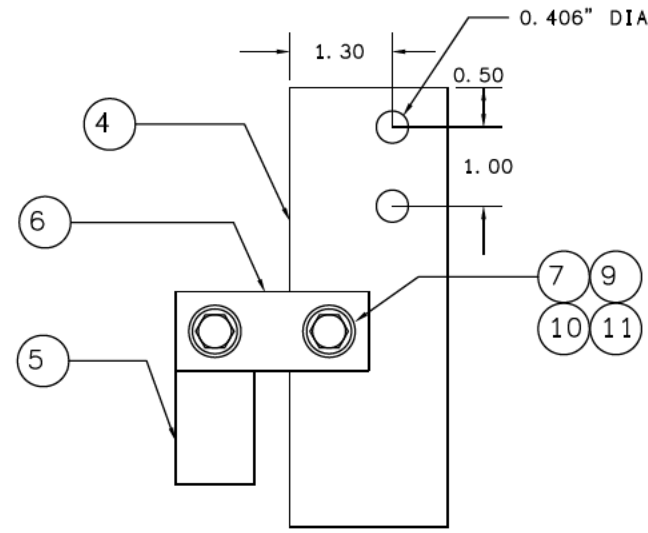
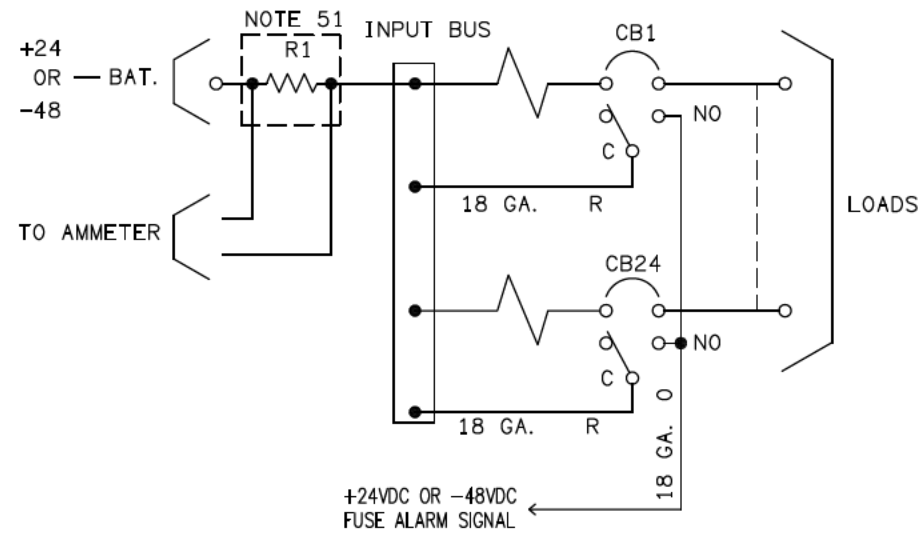
DETAIL
A & B



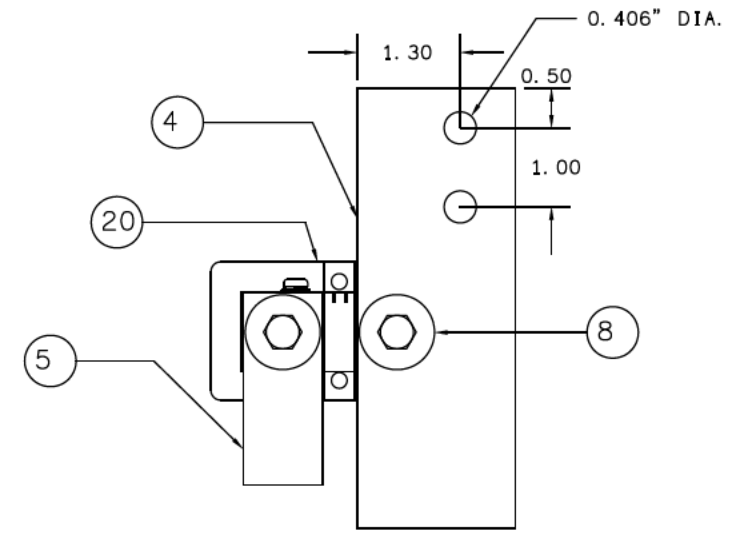
TOP VIEW

| | | |
|---|----------------------------------|--------------------------------------|
| PROPRIETARY INFORMATION NOT TO BE COPIED, USED, TRANSMITTED, OR DISCLOSED WITHOUT PRIOR WRITTEN PERMISSION FROM UNIPOWER, LLC. | | |
| SIZE B | DOC TYPE / NUMBER PN 111-3765 | ISSUE 7 |
| SCALE: N/A | SHEET: 2 OF 3 | FILE NAME: PN111-3765_SHT_2_ISS_7 |

1 2 3 4

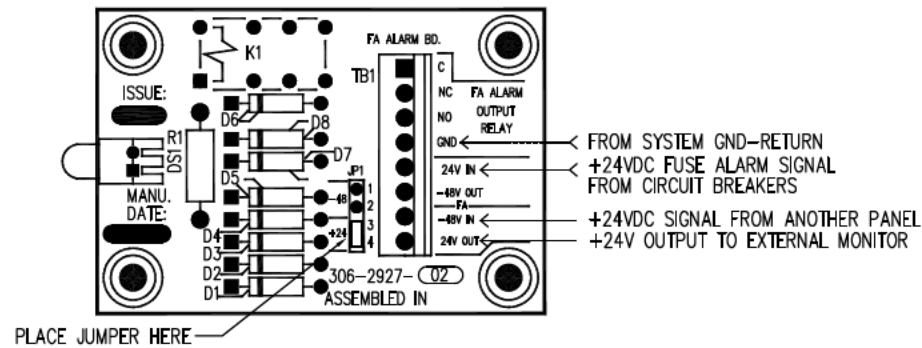


DETAIL A
WITHOUT SHUNT
111-3765-00

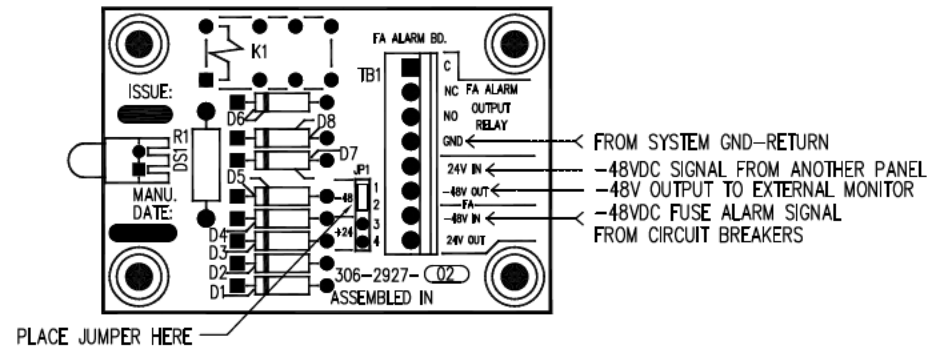


DETAIL B
WITH SHUNT
111-3765-10

WIRING DETAIL FOR +24V



WIRING DETAIL FOR -48V



+24V/-48V SCHEMATIC DIAGRAM

CALLOUT TABLE

| LINE # | DESCRIPTION | PART NUMBERS | QUANTITY | |
|--------|---|--------------|----------|-----|
| | | | -00 | -10 |
| 1 | CUT WIRE: 18 GAUGE ORANGE | 051-1833-52 | 1 | 1 |
| | PANEL: CIRCUIT BREAKER AM1 POS GRD | 202-3851-00 | 1 | 1 |
| | CARD HOLDER: 1" X 9" AM1 CKT BKR PNL | 208-2990-007 | 2 | 2 |
| | BUS BAR: CKT BKR PNL AM1, INPUT, POS GRD | 209-3040-00 | 1 | 1 |
| 5 | BUS BAR: CKT BKR PNL AM1, SHUNT TO CB | 209-3041-00 | 1 | 1 |
| | COMB DIST PNL: BUS, SHUNT BYPASS, 200/400A | 209-4245-01 | 2 | |
| | SCREW: SS, HEX HD, 3/8-16 X 1 1/4" | 210-1293-00 | 2 | |
| | BOLT, HEX, SIL, BRONZE: 3/8-16 X 3/4" | 210-8128-00 | | 2 |
| | NUT, HEX SS: 3/8-16 | 211-0533-00 | 2 | |
| 10 | WASHER, FLAT SS: 5/16" X 3/4" X .125" | 212-2518-00 | 4 | |
| | WASHER, BELLEVILLE, SS: 1/2" X .900" | 212-5758-00 | 2 | |
| | STANDOFF: SWIVEL, F/F, 6-32 X 3/4 X 1/4 OD | 213-1317-00 | 3 | 3 |
| | SPACER: HEATSINK, HEX FIBERGLASS, 1.25" GLASTIC | 213-1410-00 | 1 | 1 |
| | SHIELD: AM1 CKT BKR PANEL, COVER | 213-3200-00 | 1 | 1 |
| 15 | INSULATOR: CKT BKR AM1, BUS SUPPORT | 213-3635-00 | 1 | 1 |
| | LABEL: NOMENCLATURE: GENERAL MISC, 0.9" | 225-3094-09 | 1 | 1 |
| | LABEL: 1" X 9" 1-12, FOR AM1 CKT BKR PNL | 225-3107-01 | 1 | 1 |
| | LABEL: 1" X 9" 13-24, FOR AM1 CKT BKR PNL | 225-3108-01 | 1 | 1 |
| | ASSY: ALARM BOARD, BKT, LABEL, FOR FA | 385-5152-00 | 1 | 1 |
| 20 | RES, SHUNT: METER, 600A 50MV | 695-1093-03 | 1 | 1 |
| | SCREW: ROLL/THD, 10 - 24 X 3/8 | 210-6200-00 | 4 | 4 |
| 25 | | | | |

| | | |
|---|--|--|
| <p align="center">PROPRIETARY INFORMATION NOT TO BE COPIED, USED, TRANSMITTED, OR DISCLOSED WITHOUT PRIOR WRITTEN PERMISSION FROM UNIPOWER, LLC.</p> | | |
| <p>SIZE B</p> | <p>DOC TYPE / NUMBER PN 111-3765</p> | <p>ISSUE 7</p> |
| <p>SCALE: N/A</p> | <p>SHEET: 3 OF 3</p> | <p>FILE NAME: PN111-3765_SHT_3_ISS_7</p> |