

ENGINEERING NOTES:

- 51. AMMETER SHUNTS ARE NORMALLY 600 AMPS, 50MV. HOWEVER, OTHER CURRENT RATINGS MAY BE SPECIFIED. PANELS NOT SPECIFIED WITH A SHUNT (TABLE "A") DO NOT INCLUDE R1.
- 52. THIS PANEL WILL ACCOMMODATE A MAXIMUM OF 18 5-100 AMP CIRCUIT BREAKERS. TOTAL PANEL AMPERAGE MUST NOT EXCEED 500 AMPS. ORDER CIRCUIT BREAKERS PER ED991-0009-00.
- 53. UNIPOWER'S STANDARD PAINT COLOR IS ANSI 61 GRAY.
- 54. THE INPUT COPPER BUS BAR IS DESIGNED FOR DIRECT CONNECTION TO UNIPOWER VERTICAL BUS BAR SYSTEMS. FOR OTHER SYSTEMS, HOLES ARE PROVIDED FOR BOLT-ING LUGGED CABLES.
- 55. ~~TO COVER OPEN CIRCUIT BREAKER POSITIONS, ORDER BLANK COVERS, P/N 213-3923-00, PER CIRCUIT BREAKER POSITION.~~
- 56. BUBBLE REFERENCE DESIGNATORS REFER TO CALLOUT TABLE LINE NUMBER.
- 57. PROVIDE ADEQUATE SPACE ABOVE THE CIRCUIT BREAKER PANEL FOR TURNING DISTRIBUTION CABLES. USE OF A ONE SPACE BLANK PANEL IS HIGHLY RECOMMENDED. ORDER BLANK PANEL P/N 202-3245-00.

TABLE A

PANEL	E/W SHUNT
111-3768-00	NO
111-3768-01	NO
111-3768-10	YES
111-3768-11	YES
111-3768-20	NO
111-3768-21	YES

SHEET INDEX NOTE:

THE ISSUE OF SHEET 1 REFLECTS THE LATEST ISSUE OF THE DRAWING SET. WHEN THE DRAWING SET IS REVISED, ONLY THE ISSUE NUMBERS OF MODIFIED SHEETS ARE CHANGED. THE ISSUE NUMBERS OF UNMODIFIED SHEETS ARE NOT CHANGED.

SHEET INDEX

SH NO	1	2	3			
ISSUE	6	6	6			

MANUFACTURING NOTES:

- 101. ANTI-OXIDATION COATING WILL BE APPLIED BETWEEN ALL LAYERS OF LAMINATED COPPER BUS STRUCTURE. A COMPOUND SUCH AS CRAMOLIN 81Rh WILL BE APPLIED TO ALL JOINTED FLAT SURFACES PER MANUFACTURER'S INSTRUCTIONS.
- 102. MOUNT WIRE LUG BETWEEN BUS BAR AND 1/4" FLAT WASHER.
- 103. THE REMAINING EXCESS OF ALARM WIRE MUST BE WOUND UP AND TIED TO THE BUS BAR WITH A TIE WRAP. THIS WIRE WILL BE USED FOR ADDITIONAL CIRCUIT BREAKERS.
- 104. WHEN CONNECTING ADDITIONAL CIRCUIT BREAKERS, THE ALARM CONNECTION FROM THE BREAKER (NO) TO THE FA SIGNAL "IN" IS COMPLETED BY DAISY CHAINING EACH CIRCUIT BREAKER WITH PUSH-ON.
- 105. THE ALARM WIRE LENGTH IS 40" LONG TO ALLOW FOR 18 CIRCUIT BREAKERS. (WHEN CIRCUIT BREAKERS ARE ADDED, A 2" LENGTH MUST BE CUT FROM THE REMAINING WIRE FOR EACH BREAKER. THIS 2" LENGTH MUST THEN BE JOINED WITH THE REMAINING ALARM WIRE BY A CRIMP TYPE PUSH-ON.) IF CRIMPING TOOLS ARE NOT AVAILABLE, THE PUSH-ON MAY BE SOLDERED.
- 106. LUGS AND PUSH-ONS ARE USED FOR CONNECTING EACH ALARM CONTACT (C) OF THE CIRCUIT BREAKER TO THE BUS BAR. EACH CONNECTION FROM THE ALARM CONTACT TO THE BUS BAR IS COMPLETED SEPARATELY.
- 107. WHEN A SHUNT IS REQUIRED, REPLACE ITS' BOLTS AS SHOWN IN DETAIL B. USE BRASS WASHERS SUPPLIED WITH THE SHUNT.

ISSUES

ISSUE #	DESCRIPTION	ISS. BY ISS. DATE	APP. BY APP. DATE
6	SEE ECN 20042. UPDATED LOGO/VERBIAGE TO STATE UNIPOWER.	WD 1/29/15	MCM 1/30/15

UNLESS OTHERWISE SPECIFIED DIMENSIONS ARE IN INCHES	TOLERANCES ON:	APPROVALS	DATE
±		DRAWN MRB	2/27/95
HOLES	+0.004 -0.002	CHECKED JW	3/10/95
FRACTIONS	±1/32	APPROVED NMS	3/10/95
DECIMALS (XX)	±0.020	APPROVED	
DECIMALS (XXX)	±0.010		
ANGLES	±1/2'		

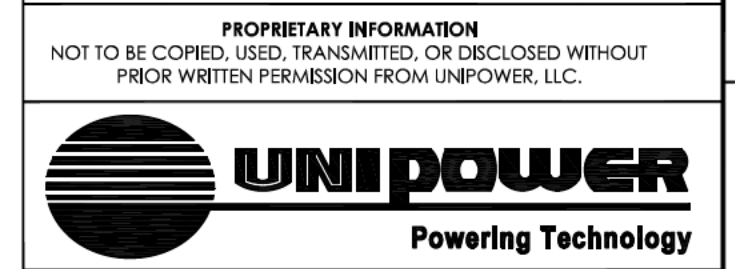
SQUARE CORNERS AND ANGLES ARE 90° UNLESS OTHERWISE SPECIFIED.

WORKMANSHIP:
PER SPEC ENG032

MATERIAL:

FINISH:

PROPRIETARY INFORMATION
NOT TO BE COPIED, USED, TRANSMITTED, OR DISCLOSED WITHOUT PRIOR WRITTEN PERMISSION FROM UNIPOWER, LLC.

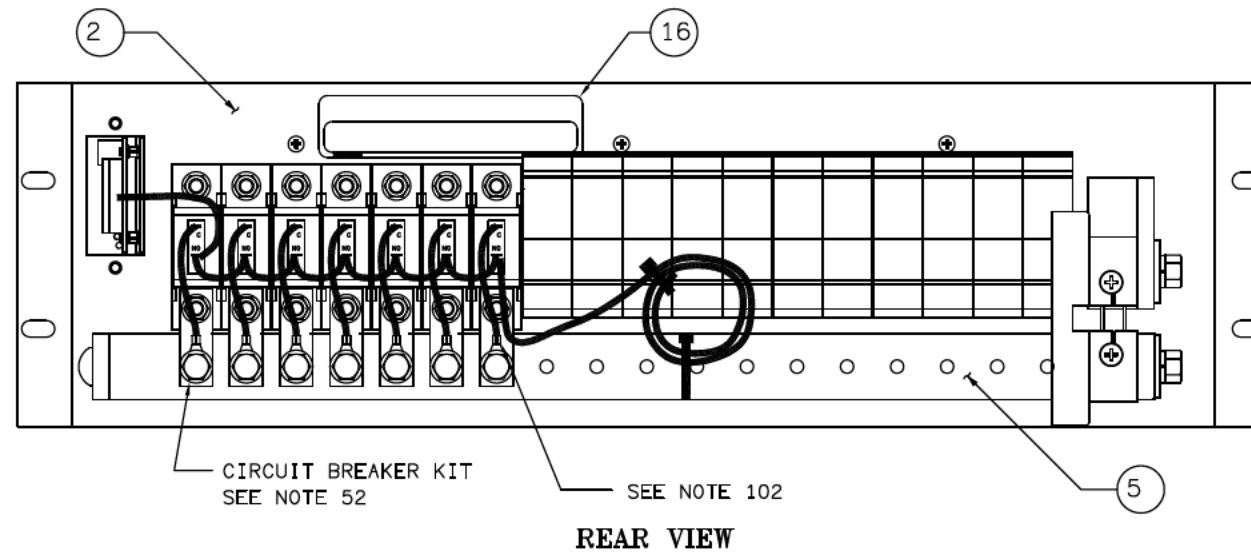
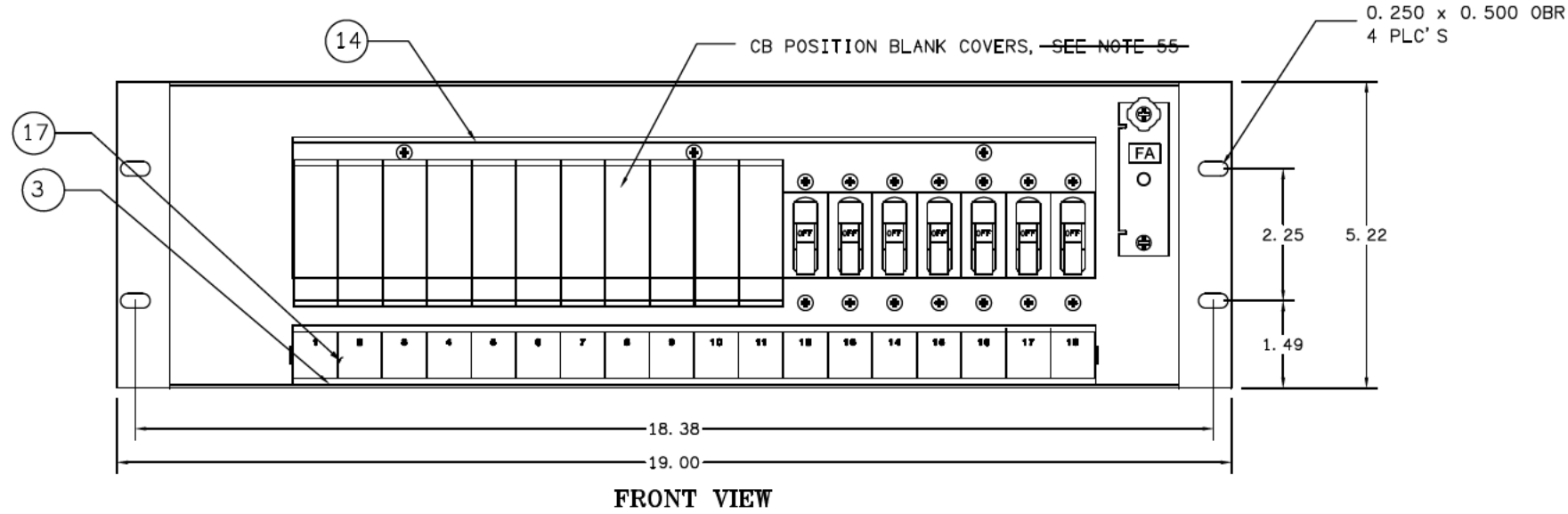
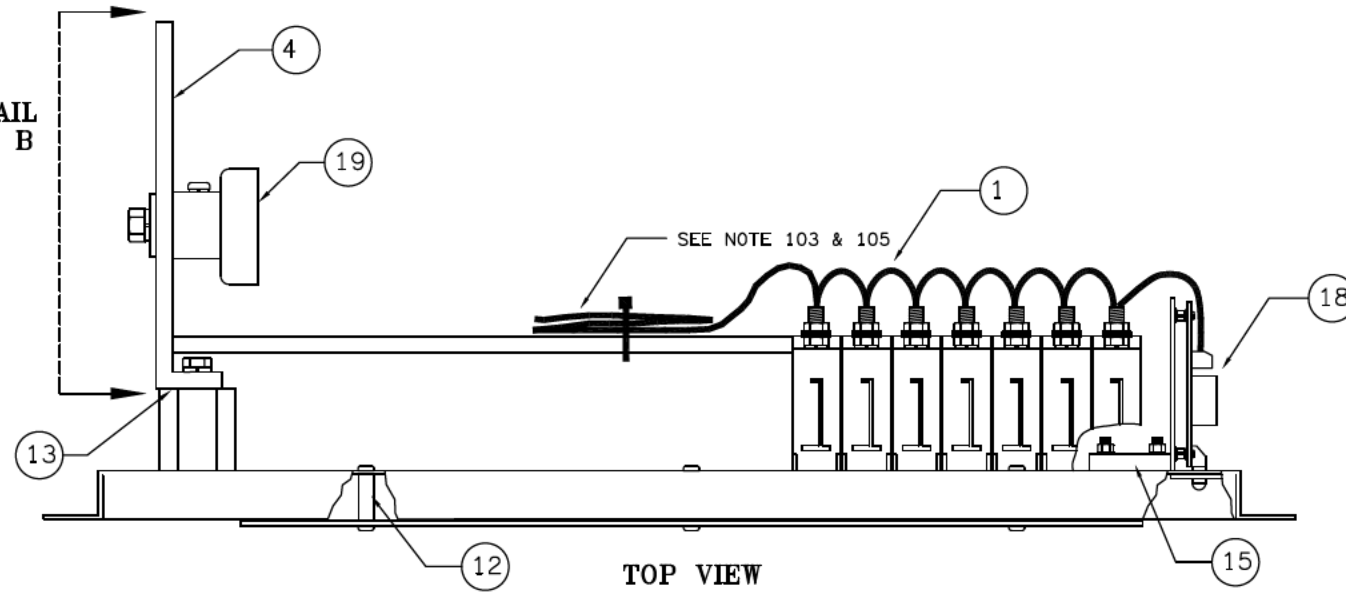


19" POS GRN, NEG 24V/48V PLANT
AM1 50-100 AMP, CKT BKR PNL
W/ALARM SWITCH AND FUSE ALARM

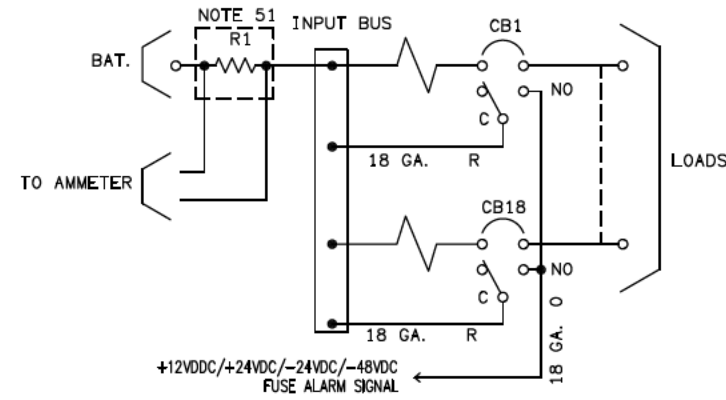
SIZE	DOC TYPE / NUMBER	ISSUE
B	PN 111-3768	6

SCALE:	SHEET:	FILE NAME:
N/A	1 OF 3	PN111-3768_SHT_1_ISS_6

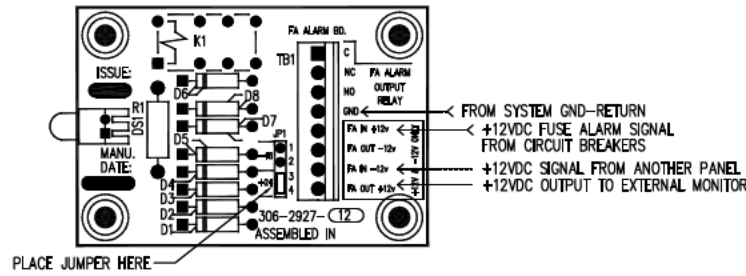
DETAIL
A & B



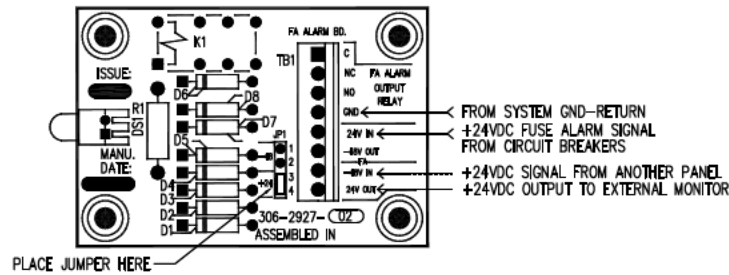
PROPRIETARY INFORMATION NOT TO BE COPIED, USED, TRANSMITTED, OR DISCLOSED WITHOUT PRIOR WRITTEN PERMISSION FROM UNIPOWER, LLC.		
SIZE B	DOC TYPE / NUMBER PN 111-3768	ISSUE 6
SCALE: N/A	SHEET: 2 OF 3	FILE NAME: PN111-3768_SHT_2_ISS_6



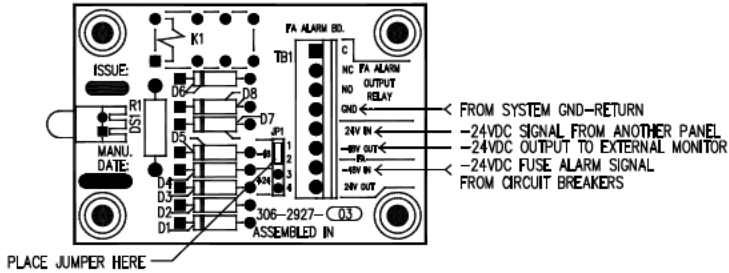
WIRING DETAIL FOR +12V



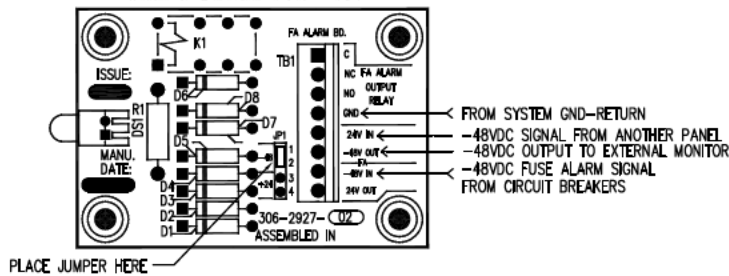
WIRING DETAIL FOR +24V



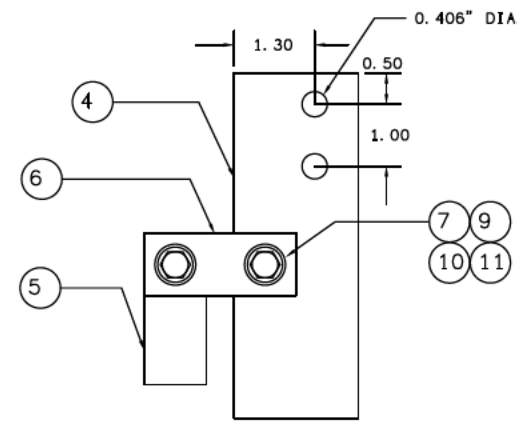
WIRING DETAIL FOR -24V



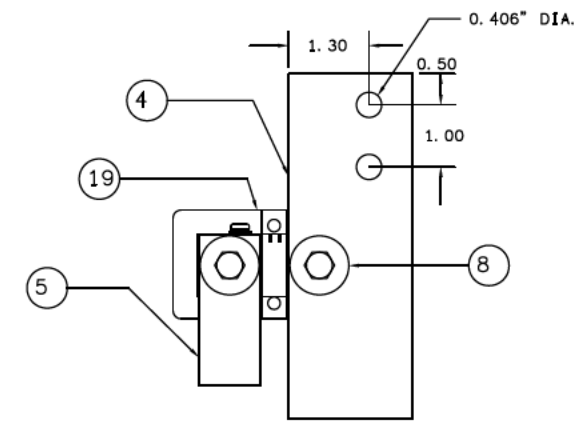
WIRING DETAIL FOR -48V



+12V/+24V/-24V/-48V SCHEMATIC DIAGRAM



DETAIL A
WITHOUT SHUNT
111-3768-00
111-3768-01
111-3768-20



DETAIL B
WITH SHUNT
111-3768-10
111-3768-11
111-3768-21

CALLOUT TABLE

LINE #	DESCRIPTION	PART NUMBERS	QUANTITY	
			-00, -01, -20	-10, -11, -21
1	CUT WIRE: 18 GAUGE ORANGE	051-1833-52	1	1
	PANEL: CIRCUIT BREAKER AM1 POS GRD, 19"	202-3852-00	1	1
	CARD HOLDER: 1" X 13.76" AM1 CKT BKR PNL	213.3725.1367	1	1
	BUS BAR: CKT BKR PNL AM1, INPUT, POS GRD	209-3040-00	1	1
5	BUS BAR: CKT BKR PNL AM1, SHUNT TO CB	209-3043-00	1	1
	COMB DIST PNL: BUS, SHUNT BYPASS, 200/400A	209-4245-01	2	
	SCREW: SS, HEX HD, 3/8-16 X 1 1/4"	210-1293-00	2	
	BOLT, HEX, SIL, BRONZE: 3/8-16 X 3/4"	210-8128-00		2
	NUT, HEX SS: 3/8-16	211-0533-00	2	
10	WASHER, FLAT SS: 5/16" X 3/4" X .125"	212-2518-00	4	
	WASHER, BELLEVILLE, SS: 1/2" X .900"	212-5758-00	2	
	STANDOFF: SWIVEL, F/F, 6-32 X 3/4 X 1/4 OD	213-1317-00	3	3
	SPACER: HEATSINK, HEX FIBERGLASS, 1.25" GLASTIC	213-1410-00	1	1
	SHIELD: AM1 CKT BKR PANEL, COVER 19"	213-3201-00	1	1
15	INSULATOR: CKT BKR AM1, BUS SUPPORT	213-3635-00	1	1
	LABEL: NOMENCLATURE: GENERAL MISC, 0.9"	225-3094-09	1	1
	LABEL: 1" X 13.75" 1-18, FOR AM1 CKT BKR PNL	225-3107-03	1	1
	ASSY: ALARM BOARD, BKT, LABEL, FOR FA	See Table 2	1	1
19	RES, SHUNT: METER, 600A 50MV	695-1093-03		1

TABLE 2

Panel Part#	Alarm Board Kit#
111.3768.00A	385.5152.00A
111.3768.01A	385.5152.11A
111.3768.10A	385.5152.00A
111.3768.11A	385.5152.11A
111.3768.20A	385.5152.10A
111.3768.21A	385.5152.10A

PROPRIETARY INFORMATION
NOT TO BE COPIED, USED, TRANSMITTED, OR DISCLOSED WITHOUT
PRIOR WRITTEN PERMISSION FROM UNIPOWER, LLC.

SIZE B	DOC TYPE / NUMBER PN 111-3768	ISSUE 6
SCALE: N/A	SHEET: 3 OF 3	FILE NAME: PN111-3768_SHT_3_ISS_6