

**ENGINEERING NOTES:**

- 51. BUBBLE REFERENCE DESIGNATORS REFER TO CALLOUT TABLE LINE NUMBER.
- 52. SELECT PAINT COLOR FROM TABLE C.  
I.E. 111-3774-, COLOR A = ANSI 61 GRAY FINISH  
I.E. 111-3774-, COLOR B = BEIGE

TABLE C	
COLOR	DESIGNATOR
ANSI 61 GRAY	A
BEIGE	B

- 53. ALL BUS BARS ARE DESIGNED FOR SINGLE OR DOUBLE HOLE MOUNTING LUGS. KITS INCLUDE 1 LUG AND MTG. HARDWARE. ORDER KITS FROM TABLE B.
- 54. ALL GROUND AND TERMINATION BARS ARE COPPER AND ARE INSULATED BY 1" FIBERGLASS SPACERS.
- 55. Bus bars rated voltage is 250 VDC (with cover)  
See Table for Cover Kit.

**MANUFACTURING NOTES:**

- 101. MOUNT A GROUNDING STRAP USING 4", 14 GA. G WIRE, (051-1455-04) AND 2 RING LUGS, (253-0300-00)

**TABLE B**

SINGLE HOLE LUG KIT		
WIRE RANGE GA.	AMP RATING	RATELCO PART NUMBER
14 TO 6	35	253-2010-00
14 TO 2	90	253-2020-00
8 TO 1/0	125	253-2030-00
6 TO 250MCM	225	253-2040-00
1/0 TO 350MCM	300	253-2045-00
1/0 TO 500MCM	400	253-2050-00
4/0 TO 1000MCM	650	253-2060-00
TWO HOLE LUG KIT		
14 TO 6	35	253-0035-00
8 TO 2	70	253-0036-00
2 TO 1/0	125	253-0037-00
2 TO 4/0	225	253-0038-00
1/0 TO 350MCM	300	253-0039-00
1/0 TO 500MCM	400	253-0041-00
600 TO 1000MCM	650	253-0041-00

**TABLE A**

GROUND / TERMINATION PANELS														cover Kit		
PANEL WIDTH X"	DIMENSIONS		RACK SPACES	WEIGHT LBS	FIG. #	PART NUMBER	MAX AMP RATING	RATING	LUG MOUNTING HOLE QUANTITIES PER BAR							
	HEIGHT	DEPTH							'SIZE A' 0.281 DIA	'SIZE B' 0.375 DIA	'SIZE C' 0.406 DIA	'SIZE D' 0.406 x 0.781	'SIZE E' 0.531 x 0.875		'SIZE F' 0.531 X 0.875	'SIZE G' 0.250 X 5.000
									0.625 C-C	1" C-C	1" C-C	OBR, 1.375 C-C	OBR, 1.375 C-C		OBR, 1.750 C-C	OBR, 1.000 C-C
FRONT ACCESS GROUND/TERMINATION/LOGO PANEL																
19"	3.47"	5.25"	2	3	-	111-3774-01	200	STD	12	4	-	-	-	-	385.6153.1203	
	6.97"	7.125"	4	10	-	111-3774-02	400		24	8	2	-	-	-	385.6153.1205	
	10.47"		6	14	-	111-3774-04	800		40	-	-	6	4	-	385.6153.1203	
FRONT ACCESS GROUND/TERMINATION PANEL W/O LOGO																
23"	3.47"	5.25"	2	4	-	111-3774-10	200	STD	16	6	-	-	-	-	385.6152.1203	
	6.97"	7.125"	4	10	4	111-3774-90	600	SPL	-	-	18	-	-	-	385.6152.1205	
FRONT ACCESS GROUND/TERMINATION/LOGO PANEL																
23"	3.47"	5.25"	2	4	1	111-3774-11	200	STD	16	6	-	-	-	-	385.6152.1203	
	6.97"	7.125"	4	11	2	111-3774-12	400		36	-	12	-	-	-	385.6152.1205	
	10.47"		6	15	3	111-3774-14	800		44	-	-	8	6	-	385.6152.1207	
	10.47"	6	5	111-3774-16	1200	-	-		-	-	-	-	16	24	385.6152.1207	
													10	52	385.6152.1207	

**SHEET INDEX NOTE:**

THE ISSUE OF SHEET REFLECTS THE LATEST ISSUE OF THE DRAWING SET. WHEN THE DRAWING SET IS REVISED, ONLY THE ISSUE NUMBERS OF MODIFIED SHEETS ARE CHANGED. THE ISSUE NUMBERS OF UNMODIFIED SHEETS ARE NOT CHANGED.

**SHEET INDEX**

SH NO	A1	B1	C1	D1	E1	F1
ISSUE	7	4	4	4	3	4

**ISSUES**

ISSUE #	DESCRIPTION	ISS. BY ISS. DATE	APP. BY APP. DATE
5	SEE ECN 12033 /TN300225, TN300228, TN300226 TN300230, TN300227 (PDF'D; OLD FILES= TN200272, TN200268, TN200273, TN200274, TN200275, TN300229, TN200276)	KEL 11/06/98	MCM 11/06/98
6	SEE ECN 20061. UPDATED FORMAT LOGO FROM: C&D TO: UNIPOWER	KEL 01/30/15	DBW 2/6/15
7	SEE ECO 44309. ADDING VOLTAGE RATINGS AND COVER KIT TO PN.	SI 4/24/17	MCM 4/24/17

UNLESS OTHERWISE SPECIFIED DIMENSIONS ARE IN INCHES ± TOLERANCES ON:	APPROVALS		DATE
	HOLES +0.004 -0.002	DRAWN TET	CHECKED VP
FRACTIONS ±1/32	APPROVED JSN		05/18/92
DECIMALS (XX) ±0.020	APPROVED		
DECIMALS (XXX) ±0.010	APPROVED		
ANGLES ±1/2°			

SQUARE CORNERS AND ANGLES ARE 90° UNLESS OTHERWISE SPECIFIED.

WORKMANSHIP:  
PER SPEC ENG032

MATERIAL:

FINISH:

PROPRIETARY INFORMATION  
NOT TO BE COPIED, USED, TRANSMITTED, OR DISCLOSED WITHOUT PRIOR WRITTEN PERMISSION FROM UNIPOWER, LLC.



**FRONT ACCESS  
GROUND / TERMINATION / LOGO  
PANEL, 200 TO 800 AMP**

SIZE	DOC TYPE / NUMBER	ISSUE
B	PN 111-3774	7

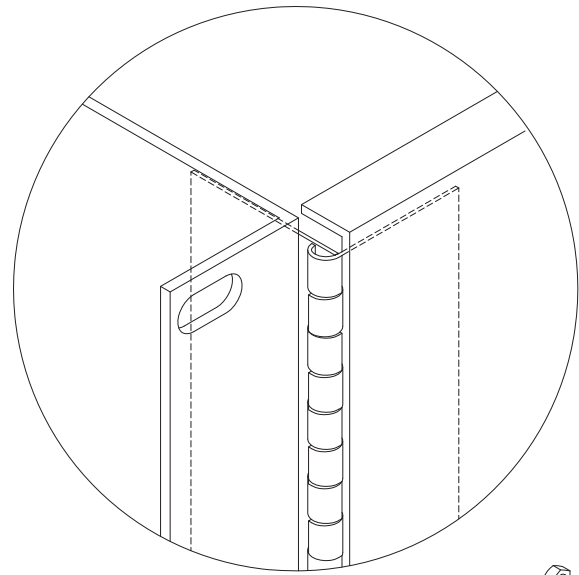
SCALE:	SHEET:	FILE NAME:
NONE	A1 OF	PN111-3774_SHT_A1_ISS_7

A

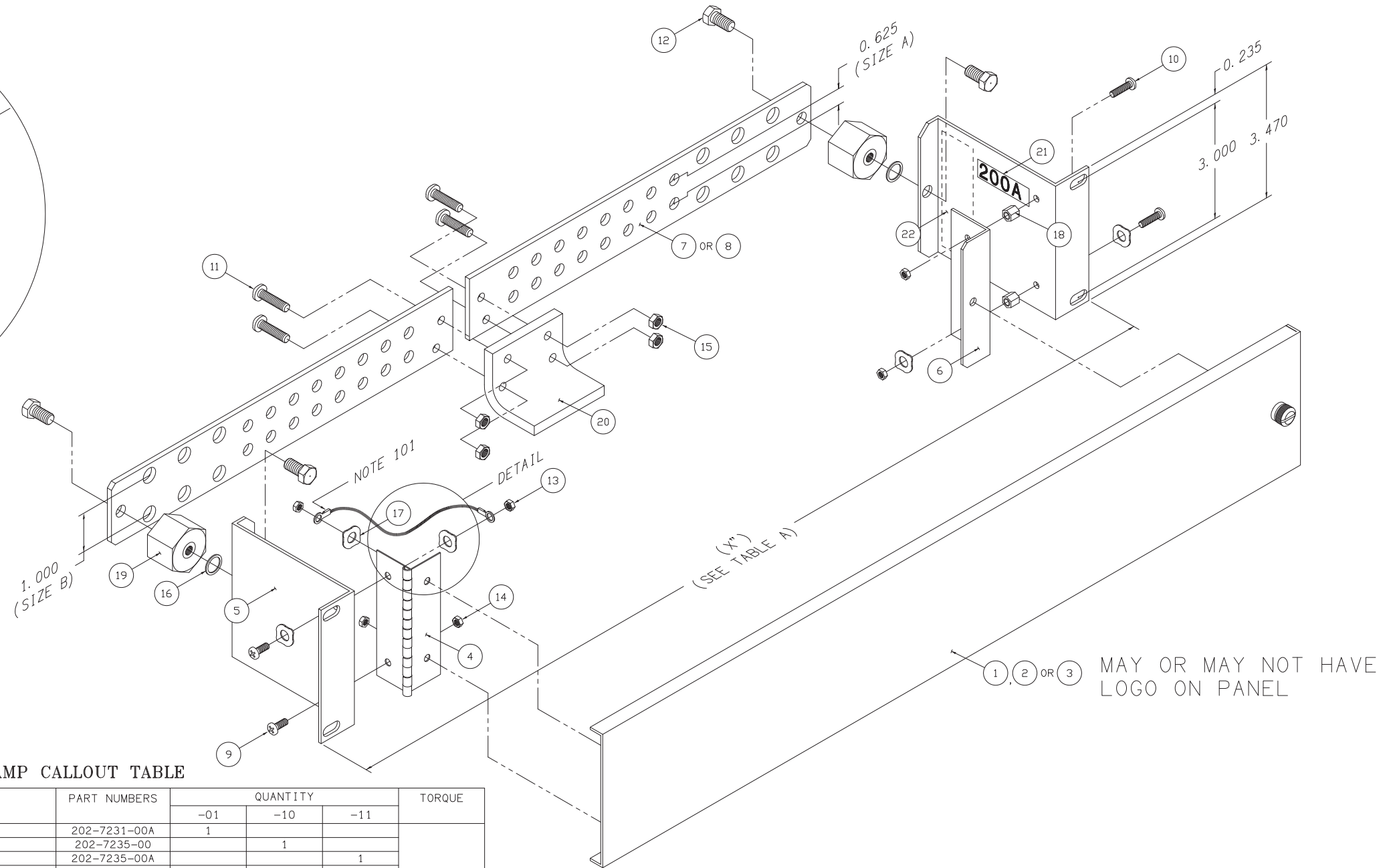
B

C

D



HINGE DETAIL



200 AMP CALLOUT TABLE

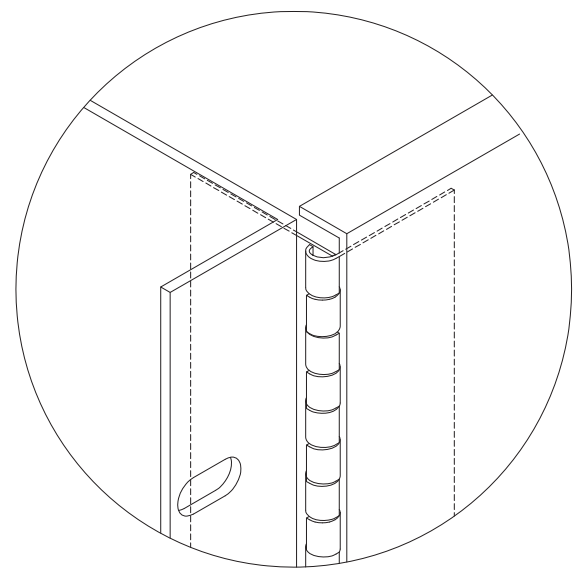
NOTE	REF #	DESCRIPTION	PART NUMBERS	QUANTITY			TORQUE
				-01	-10	-11	
	1	GRD/TERM HINGED PANEL, 19" x 3.5"	202-7231-00A	1			
		FRONT ACCESS HINGED COVER, 3.5" x 23"	202-7235-00		1		
		GRD/TERM HINGED PANEL, 23" x 3.5"	202-7235-00A			1	
		HINGE: 3.5" PANEL COVER	202-7240-00	1	1	1	
	5	BRKT, UNIVERSAL: FRONT ACCESS GRD/TERM/LOGO	208-7069-00	2	2	2	
		BRKT: 3.5" FRONT ACCESS COVER MTG	208-7070-00	1	1	1	
		BUS BAR: GRD/TERM, 200A, 0.125 x 1.25 x 8.25"	209-3300-00	2			
		BUS BAR: GRD/TERM, 200A, 0.125 x 1.6 x 10.25"	209-3301-00		2	2	
		SCREW: STL, MS, SEMS, 6-32 x 3/8 PHIL P/HD	210-1430-00	2	2	2	10 IN. LBS.
	10	SCREW: STL, SEMS, 6-32 x 7/8 PHIL P/HD	210-1470-02	2	2	2	10 IN. LBS.
		SCREW: STL, MS, 10-24 x 3/4" PHIL P/HD	210-1750-00	4	4	4	27 IN. LBS.
		SCREW: STL IND HEX HD SEM, 1/4 x 1/2", ZINC	210-7004-01	4	4	4	45 IN. LBS.
		NUT, HEX STL: 2-56, Z SMALL PATTERN	211-0463-00	2	2	2	10 IN. LBS.
		NUT, HEX STL: 6-32, ZINC, 5/16" AF "KEPS"	211-0476-00	4	4	4	10 IN. LBS.
	15	NUT, HEX STL: 10-24, ZINC, "KEPS"	211-0492-00	4	4	4	27 IN. LBS.
		LOCKWASHER, SHKPF: 1/4 INTERNAL	212-0500-00	2	2	2	
		LOCKWASHER: DISH, STL, SHKPF, #6	212-0501-05	5	5	5	
		SPACER: HEX BRASS, 6-32 x .250 2320 SM	213-0105-00	2	2	2	
		SPACER: HEATSINK, HEX FIBERGLASS, 1", GLASTIC	213-1409-00	2	2	2	
	20	INSULATED BRKT: BUS SUPPORT 200A	213-3377-00	1	1	1	
		LABEL: 200A, BLACK	225-2921-00	1	1	1	
		NOMINCLATURE LABEL	225-3094-09	1	1	1	

200 AMP GRD/TERM ASSEMBLY

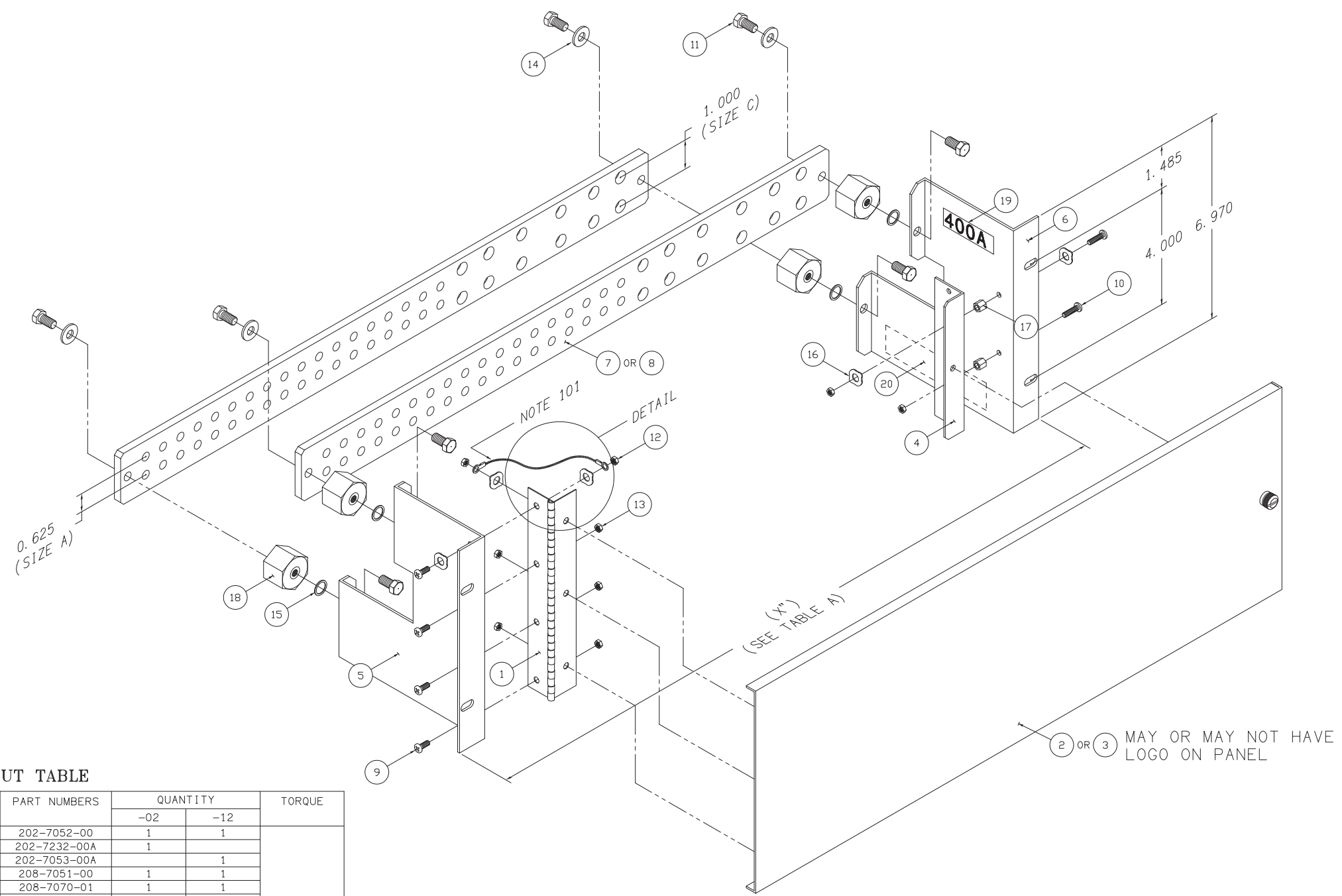
(111-3774-11 SHOWN)

FIG. 1

<b>PROPRIETARY INFORMATION</b> NOT TO BE COPIED, USED, TRANSMITTED, OR DISCLOSED WITHOUT PRIOR WRITTEN PERMISSION FROM UNIPOWER, LLC.		
SIZE <b>B</b>	DOC TYPE / NUMBER PN 111-3774	ISSUE 4
SCALE: NONE	SHEET: B1 OF	FILE NAME: PN111-3774_SHT_B1_ISS_4



HINGE DETAIL



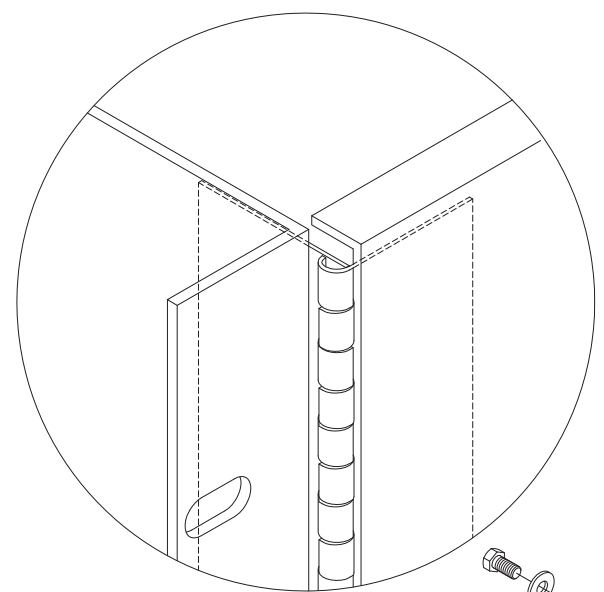
400 AMP CALLOUT TABLE

NOTE	REF #	DESCRIPTION	PART NUMBERS	QUANTITY		TORQUE
				-02	-12	
1		HINGE: 7" PANEL COVER	202-7052-00	1	1	
		GRD/TERM HINGED PANEL, 19" x 7"	202-7232-00A	1		
		GRD/TERM HINGED PANEL, 23" x 7"	202-7053-00A		1	
		BRKT: 7" FRONT ACCESS COVER MTG	208-7051-00	1	1	
5		BRKT, LEFT: FRONT ACCESS GRD/TERM/LOGO, 7"	208-7070-01	1	1	
		BRKT, RIGHT: FRONT ACCESS GRD/TERM/LOGO, 7"	208-7070-02	1	1	
10		BUS BAR: GRD/TERM, 400A, 0.25 x 1.6 x 17.0"	209-3308-00	2		
		BUS BAR: GRD/TERM, 400A, 0.25 x 1.6 x 21.0"	209-3309-00		2	
		SCREW: STL, MS, SEMS, 6-32 x 3/8 PHIL P/HD	210-1430-00	4	4	10 IN. LBS.
		SCREW: STL, SEMS, 6-32 x 7/8 PHIL P/HD	210-1470-02	2	2	10 IN. LBS.
15		SCREW: STL, SEMS, HEX HD, 1/4-20 x 5/8"	210-7004-40	8	8	45 IN. LBS.
		NUT, HEX STL: 2-56, Z SMALL PATTERN	211-0463-00	2	2	10 IN. LBS.
		NUT, HEX STL: 6-32, ZINC, 5/16" AF "KEPS"	211-0476-00	7	7	10 IN. LBS.
		WASHER: FLAT STL, 1/4 SAE, 5/8"	212-0099-00	4	4	
20		LOCKWASHER, SHKPF: 1/4 INTERNAL	212-0500-00	4	4	
		LOCKWASHER: DISH, STL, SHKPF, #6	212-0501-05	5	5	
		SPACER: HEX BRASS, 6-32 x .250 2320 SM	213-0105-00	2	2	
		SPACER: HEATSINK, HEX FIBERGLASS, 1", GLASTIC	213-1409-00	4	4	
20		LABEL: 400A, BLACK	225-2922-00	1	1	
		NOMINCLATURE LABEL	225-3094-09	1	1	

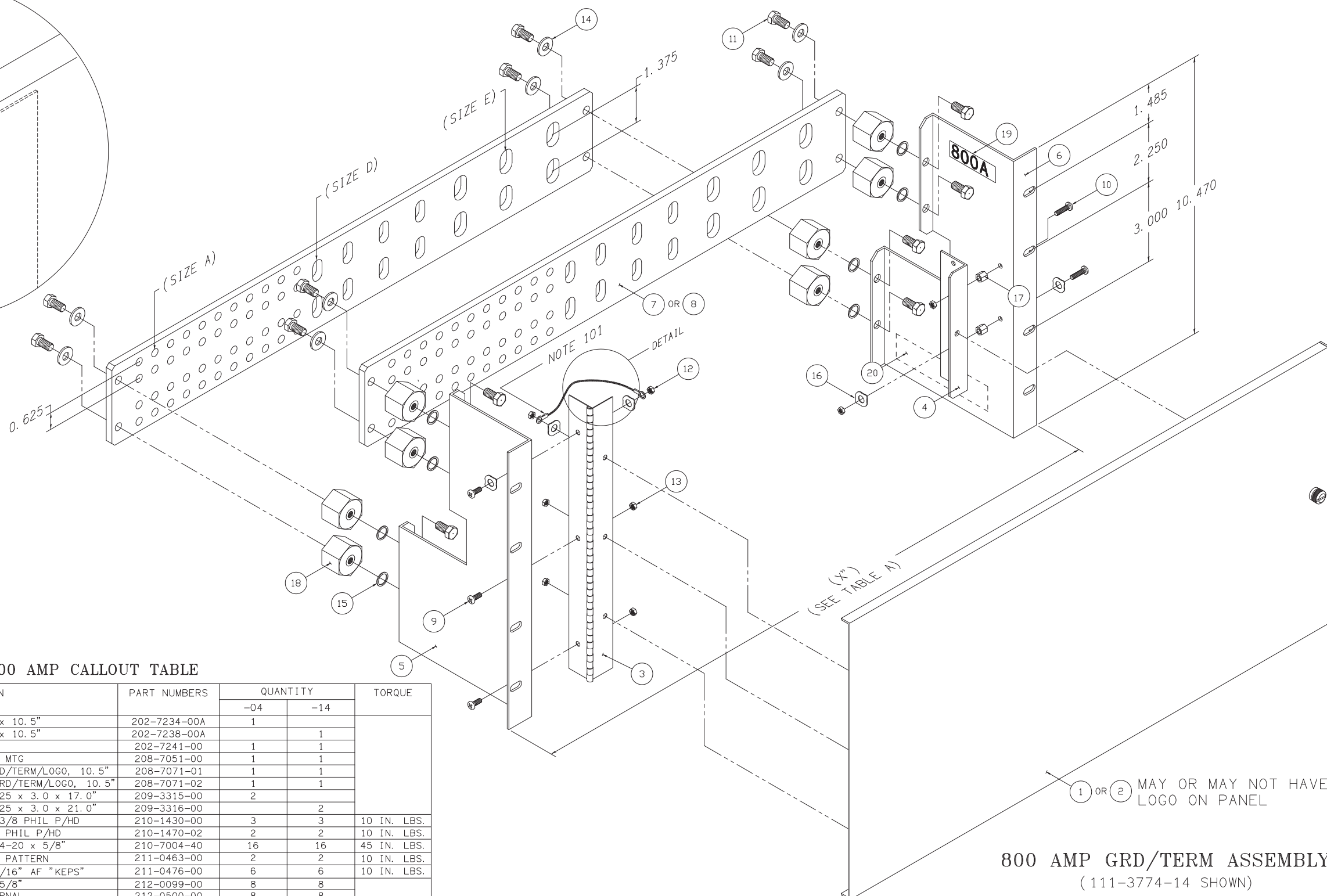
400 AMP GRD/TERM ASSEMBLY  
(111-3774-12 SHOWN)

FIG. 2

<b>PROPRIETARY INFORMATION</b> NOT TO BE COPIED, USED, TRANSMITTED, OR DISCLOSED WITHOUT PRIOR WRITTEN PERMISSION FROM UNIPOWER, LLC.		
SIZE <b>B</b>	DOC TYPE / NUMBER PN 111-3774	ISSUE 4
SCALE: NONE	SHEET: C1 OF	FILE NAME: PN111-3774_SHT_C1_ISS_4



HINGE DETAIL



800 AMP CALLOUT TABLE

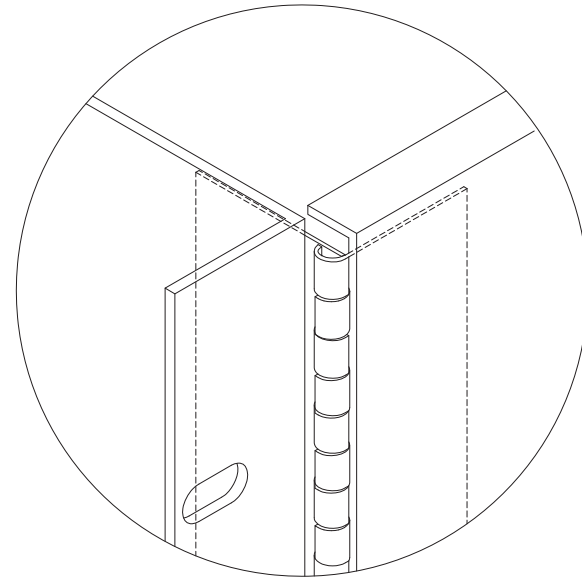
NOTE	REF #	DESCRIPTION	PART NUMBERS	QUANTITY		TORQUE
				-04	-14	
	1	GRD/TERM HINGED PANEL, 19" x 10.5"	202-7234-00A	1		
		GRD/TERM HINGED PANEL, 23" x 10.5"	202-7238-00A		1	
		HINGE 10.5" PANEL COVER	202-7241-00	1	1	
		BRKT: 7" FRONT ACCESS COVER MTG	208-7051-00	1	1	
	5	BRKT, LEFT: FRONT ACCESS GRD/TERM/LOGO, 10.5"	208-7071-01	1	1	
		BRKT, RIGHT: FRONT ACCESS GRD/TERM/LOGO, 10.5"	208-7071-02	1	1	
		BUS BAR: GRD/TERM, 800A, 0.25 x 3.0 x 17.0"	209-3315-00	2		
		BUS BAR: GRD/TERM, 800A, 0.25 x 3.0 x 21.0"	209-3316-00		2	
		SCREW: STL, MS, SEMS, 6-32 x 3/8 PHIL P/HD	210-1430-00	3	3	10 IN. LBS.
	10	SCREW: STL, SEMS, 6-32 x 7/8 PHIL P/HD	210-1470-02	2	2	10 IN. LBS.
		SCREW: STL, SEMS, HEX HD, 1/4-20 x 5/8"	210-7004-40	16	16	45 IN. LBS.
		NUT, HEX STL: 2-56, Z SMALL PATTERN	211-0463-00	2	2	10 IN. LBS.
		NUT, HEX STL: 6-32, ZINC, 5/16" AF "KEPS"	211-0476-00	6	6	10 IN. LBS.
		WASHER: FLAT STL, 1/4 SAE, 5/8"	212-0099-00	8	8	
	15	LOCKWASHER, SHKPF: 1/4 INTERNAL	212-0500-00	8	8	
		LOCKWASHER: DISH, STL, SHKPF, #6	212-0501-05	5	5	
		SPACER: HEX BRASS, 6-32 x .250 2320 SM	213-0105-00	2	2	
		SPACER: HEATSINK, HEX FIBERGLASS, 1", GLASTIC	213-1409-00	8	8	
		LABEL: 800A, BLACK	225-2924-00	1	1	
	20	NOMINCLATURE LABEL	225-3094-09	1	1	

① OR ② MAY OR MAY NOT HAVE LOGO ON PANEL

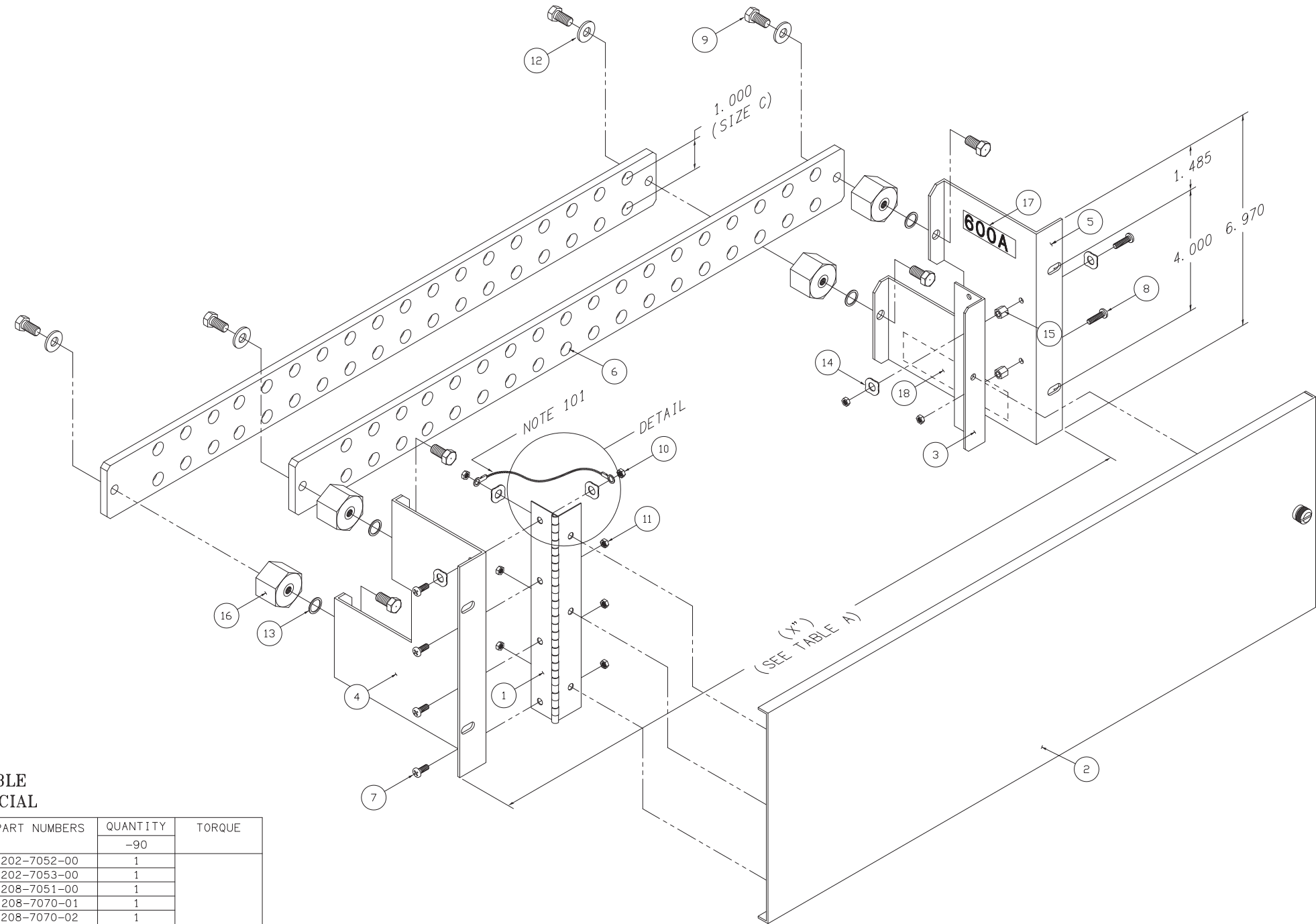
800 AMP GRD/TERM ASSEMBLY  
(111-3774-14 SHOWN)

FIG. 3

<p><b>PROPRIETARY INFORMATION</b> NOT TO BE COPIED, USED, TRANSMITTED, OR DISCLOSED WITHOUT PRIOR WRITTEN PERMISSION FROM UNIPOWER, LLC.</p>		
<p>SIZE <b>B</b></p>	<p>DOC TYPE / NUMBER PN 111-3774</p>	<p>ISSUE 4</p>
<p>SCALE: NONE</p>	<p>SHEET: D1 OF</p>	<p>FILE NAME: PN111-3774_SHT_D1_ISS_4</p>



HINGE DETAIL



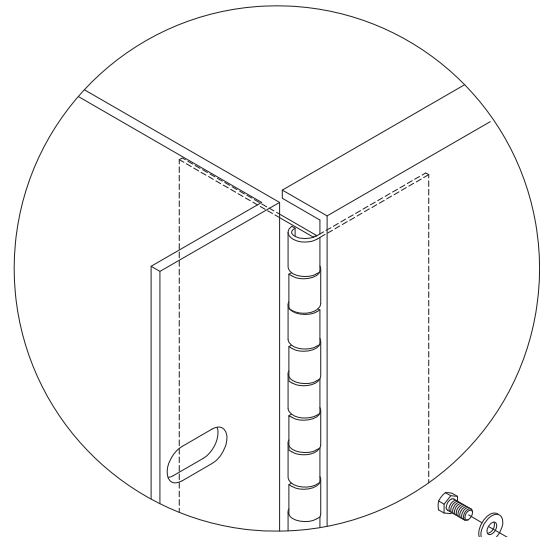
CALLOUT TABLE  
600 AMP SPECIAL

NOTE	REF #	DESCRIPTION	PART NUMBERS	QUANTITY	TORQUE
				-90	
	1	HINGE: 7" PANEL COVER	202-7052-00	1	
		GRD/TERM/LOGO HINGED PANEL, 23" x 7"	202-7053-00	1	
		BRKT: 7" FRONT ACCESS COVER MTG	208-7051-00	1	
		BRKT, LEFT: FRONT ACCESS GRD/TERM/LOGO, 7"	208-7070-01	1	
	5	BRKT, RIGHT: FRONT ACCESS GRD/TERM/LOGO, 7"	208-7070-02	1	
		BUS BAR: GRD/TERM, 600 AMP, SPECIAL PATTERN	209-2961-20	2	
		SCREW: STL, MS, SEMS, 6-32 x 3/8 PHIL P/HD	210-1430-00	4	10 IN. LBS.
		SCREW: STL, SEMS, 6-32 x 5/8 PHIL P/HD	210-1460-01	2	10 IN. LBS.
		SCREW: STL, SEMS, HEX HD, 1/4-20 x 5/8"	210-7004-40	8	45 IN. LBS.
	10	NUT, HEX STL: 2-56, Z SMALL PATTERN	211-0463-00	2	10 IN. LBS.
		NUT, HEX STL: 6-32, ZINC, 5/16" AF "KEPS"	211-0476-00	7	10 IN. LBS.
		WASHER: FLAT STL, 1/4 SAE, 5/8"	212-0099-00	4	
		LOCKWASHER, SHKPF: 1/4 INTERNAL	212-0500-00	4	
		LOCKWASHER: DISH, STL, SHKPF, #6	212-0501-05	5	
	15	SPACER: HEX BRASS, 6-32 x .250 2320 SM	213-0105-00	2	
		SPACER: HEATSINK, HEX FIBERGLASS, 1", GLASTIC	213-1409-00	4	
		LABEL: 600A, BLACK	225-2923-00	1	
		NOMINCLATURE LABEL	225-3094-09	1	
	20				

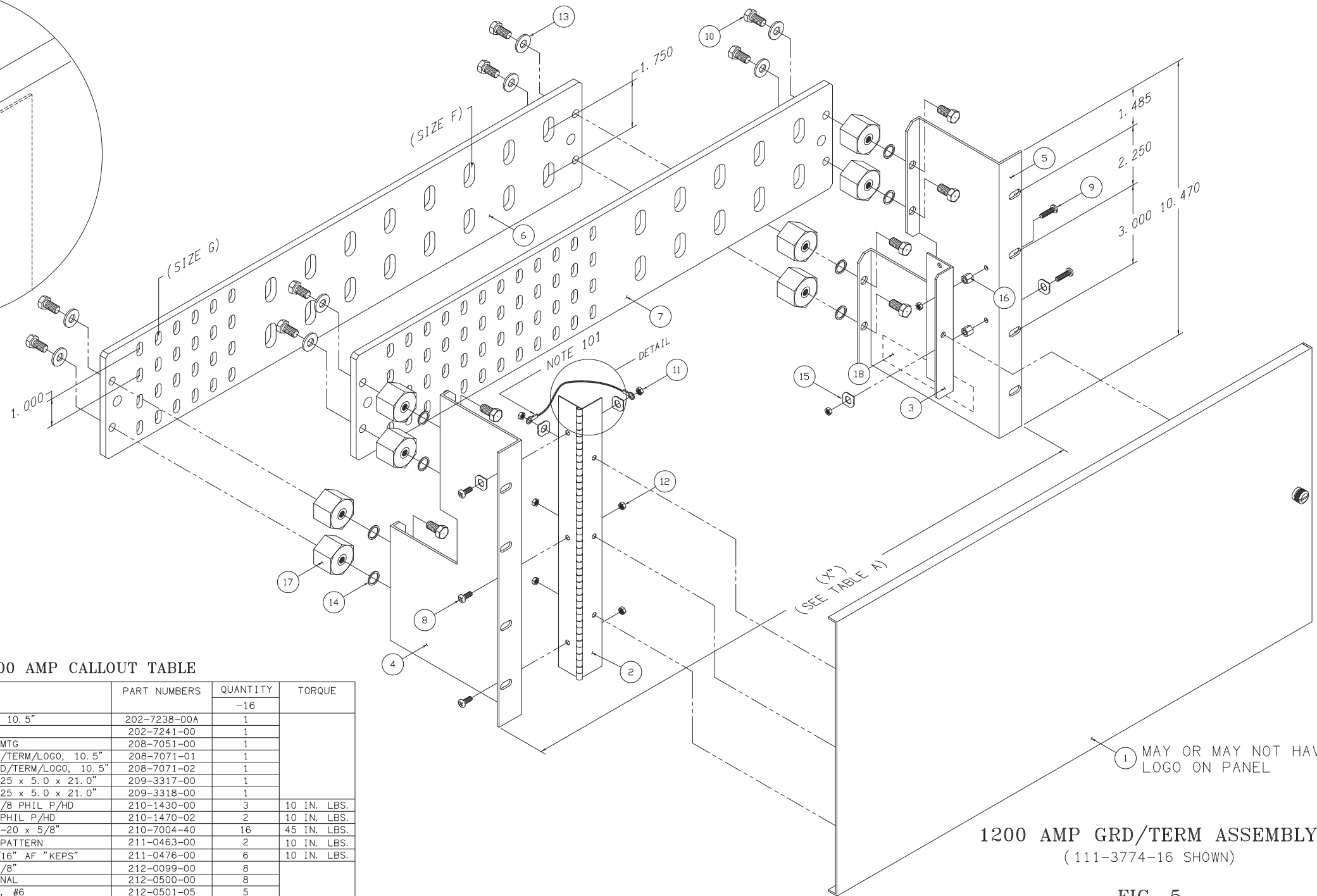
600 AMP SPECIAL  
GROUND/TERM ASSEMBLY  
(111-3774-90 SHOWN)

FIG. 4

<b>PROPRIETARY INFORMATION</b> NOT TO BE COPIED, USED, TRANSMITTED, OR DISCLOSED WITHOUT PRIOR WRITTEN PERMISSION FROM UNIPOWER, LLC.		
SIZE <b>B</b>	DOC TYPE / NUMBER PN 111-3774	ISSUE 3
SCALE: NONE	SHEET: E1 OF	FILE NAME: PN111-3774_SHT_E1_ISS_3



HINGE DETAIL



1200 AMP CALLOUT TABLE

NOTE	REF #	DESCRIPTION	PART NUMBERS	QUANTITY	TORQUE
				-16	
	1	GRD/TERM HINGED PANEL, 23" x 10.5"	202-7238-00A	1	
		HINGE 10.5" PANEL COVER	202-7241-00	1	
		BRKT: 7" FRONT ACCESS COVER MTG	208-7051-00	1	
		BRKT, LEFT: FRONT ACCESS GRD/TERM/LOGO, 10.5"	208-7071-01	1	
	5	BRKT, RIGHT: FRONT ACCESS GRD/TERM/LOGO, 10.5"	208-7071-02	1	
		BUS BAR: GRD/TERM, 1200A, 0.25 x 5.0 x 21.0"	209-3317-00	1	
		BUS BAR: GRD/TERM, 1200A, 0.25 x 5.0 x 21.0"	209-3318-00	1	
		SCREW: STL, MS, SEMS, 6-32 x 3/8 PHIL P/HD	210-1430-00	3	10 IN. LBS.
		SCREW: STL, SEMS, 6-32 x 7/8 PHIL P/HD	210-1470-02	2	10 IN. LBS.
	10	SCREW: STL, SEMS, HEX HD, 1/4-20 x 5/8"	210-7004-40	16	45 IN. LBS.
		NUT, HEX STL: 2-56, Z SMALL PATTERN	211-0463-00	2	10 IN. LBS.
		NUT, HEX STL: 6-32, ZINC, 5/16" AF "KEPS"	211-0476-00	6	10 IN. LBS.
		WASHER: FLAT STL, 1/4 SAE, 5/8"	212-0099-00	8	
		LOCKWASHER, SHKPF: 1/4 INTERNAL	212-0500-00	8	
	15	LOCKWASHER: DISH, STL, SHKPF, #6	212-0501-05	5	
		SPACER: HEX BRASS, 6-32 x .250 2320 SM	213-0105-00	2	
		SPACER: HEATSINK, HEX FIBERGLASS, 1", GLASTIC	213-1409-00	8	
		NOMINCLATURE LABEL	225-3094-09	1	
	20				

1200 AMP GRD/TERM ASSEMBLY  
(111-3774-16 SHOWN)

FIG. 5

<b>PROPRIETARY INFORMATION</b> NOT TO BE COPIED, USED, TRANSMITTED, OR DISCLOSED WITHOUT PRIOR WRITTEN PERMISSION FROM UNIPOWER, LLC.		
SIZE <b>B</b>	DOC TYPE / NUMBER PN 111-3774	ISSUE 4
SCALE: NONE	SHEET: F1 OF	FILE NAME: PN111-3774_SHT_F1_ISS_4