

A

B

C

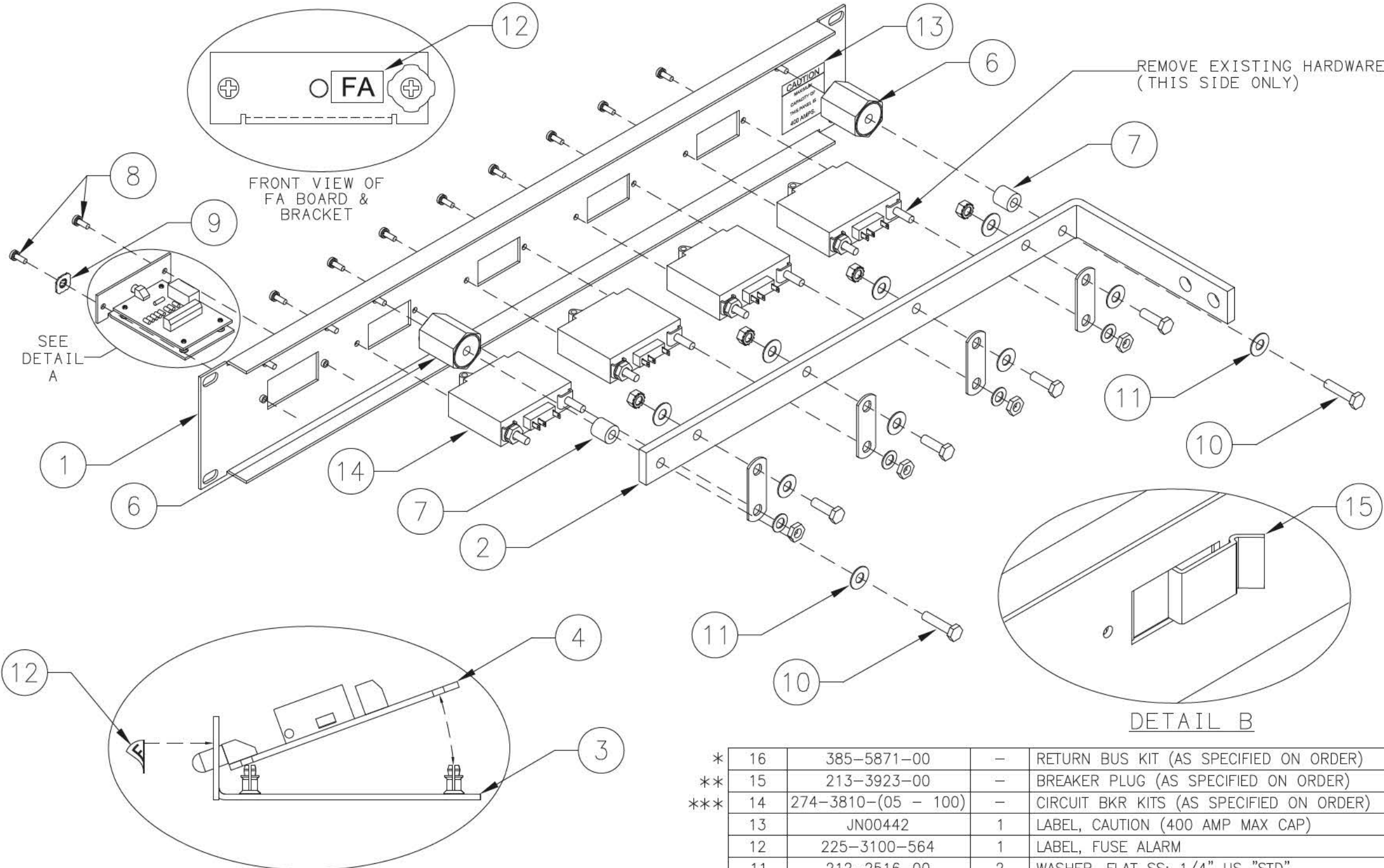
D

A

B

C

D



ISSUES			
ISSUE #	DESCRIPTION	ISS. BY ISS. DATE	APP. BY APP. DATE
1	SEE ECN AT01569 Original Release	JPR 8-19-02	DMB 8-26-02
2	SEE ECN AD0001 Included references to the optional return bus kit. - JPR	JPR 1-24-03	DMB 1-24-03
3	SEE ECN 17016 Added "Remove Existing Hardware" note.	WD 9/10/09	MCM 9/11/09

UNLESS OTHERWISE SPECIFIED DIMENSIONS ARE IN INCHES TOLERANCES ON:		APPROVALS	DATE
±		DRAWN J. P. RAMBIN	8-19-02
HOLES	+0.004 -0.002	CHECKED D. M. BRADY	8-26-02
FRACTIONS	±1/32	APPROVED	
DECIMALS (XX)	±0.020		
DECIMALS (XXX)	±0.010	APPROVED D. M. BRADY	8-26-02
ANGLES	±1/2°		

SQUARE CORNERS AND ANGLES ARE 90° UNLESS OTHERWISE SPECIFIED.
MATERIAL:
N/A

FINISH:
N/A

PROPRIETARY INFORMATION
NOT TO BE COPIED, USED OR DISCLOSED
WITHOUT PRIOR WRITTEN PERMISSION
FROM UNIPOWER LLC



4 POSITION
BATTERY DISCONNECT PANEL

SIZE B	DOC TYPE / NUMBER PN 111-3905-XX	ISSUE 3
------------------	-------------------------------------	------------

SCALE: NONE	SHEET: 1 OF 2	FILE NAME: PN111-3905-XX_SHT_1_ISS_3
----------------	------------------	-----------------------------------------

*	16	385-5871-00	-	RETURN BUS KIT (AS SPECIFIED ON ORDER)
**	15	213-3923-00	-	BREAKER PLUG (AS SPECIFIED ON ORDER)
***	14	274-3810-(05 - 100)	-	CIRCUIT BKR KITS (AS SPECIFIED ON ORDER)
	13	JN00442	1	LABEL, CAUTION (400 AMP MAX CAP)
	12	225-3100-564	1	LABEL, FUSE ALARM
	11	212-2516-00	2	WASHER, FLAT SS: 1/4" US "STD"
	10	210-1282-00	2	SCREW:SS, HEX HD, 1/4-20 X 1"
	9	212-0501-00	1	LOCKWASHER, DISH, STEEL, .25
	8	210-1430-00	2	SCREW, STEEL, 6-32 X 3/8P
	7	213-1489-00	2	INSULATOR, NYLON
	6	213-1410-00	2	SPACER, FIBERGLASS, 1.25"H, 1/4-20
****	5	HAR00557	1	HARNESS, 4 POSITION BREAKER PANEL
	4	306-2927-02	1	CIRCUIT BOARD, FA 24/48 VDC W/ RELAY
	3	208-8136-00	1	BRACKET, FA ALARM BOARD
	2	209-5175-00	1	BUSBAR, 4 BREAKER POSITIONS
	1	202-7638-00	1	PANEL, CIRCUIT BREAKER, 4 POSITION
	ITEM	C & D PART NO.	QTY	DESCRIPTION

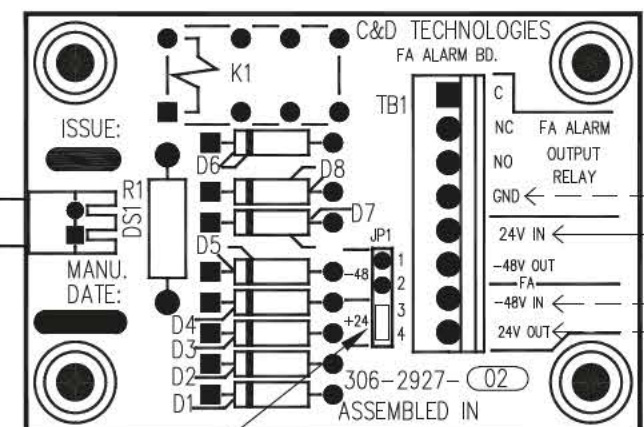
- * SEE PN385-5871-00 FOR DETAILS & INSTALLATION INSTRUCTIONS ON THE RETURN BUS KIT. **CAUTION !!**: FUSE ALARM BOARD/BACKET ASSEMBLY MUST BE REMOVED AND ACCESSED FROM THE FRONT OF THE PANEL WHEN SERVICING IN THE FIELD. PROXIMITY TO THE RETURN BUS PROHIBITS THE SAFE ACCESS TO THE FUSE ALARM BOARD TERMINAL BLOCK.
- ** "DETAIL B" SHOWS A REAR VIEW OF A BREAKER PLUG (213-3923-00) INSERTED INTO AN EMPTY BREAKER POSITION.
- *** ALL HARDWARE SHOWN WITHOUT A NUMBER DESIGNATOR IS PART OF A CIRCUIT BREAKER KIT.
- **** WIRE HARNESS (HAR00557) IS NOT REPRESENTED ABOVE; SEE SHEET 2 OF 2 FOR WIRING DETAILS.

OPTIONAL RETURN BUS
KIT MOUNTS HERE

CAUTION
MAXIMUM
CAPACITY OF
THIS PANEL IS
400 AMPS.

REAR VIEW OF PANEL
WITH HARNESS (HAR00557)
INSTALLED

WIRING DETAIL FOR
111-3905-24



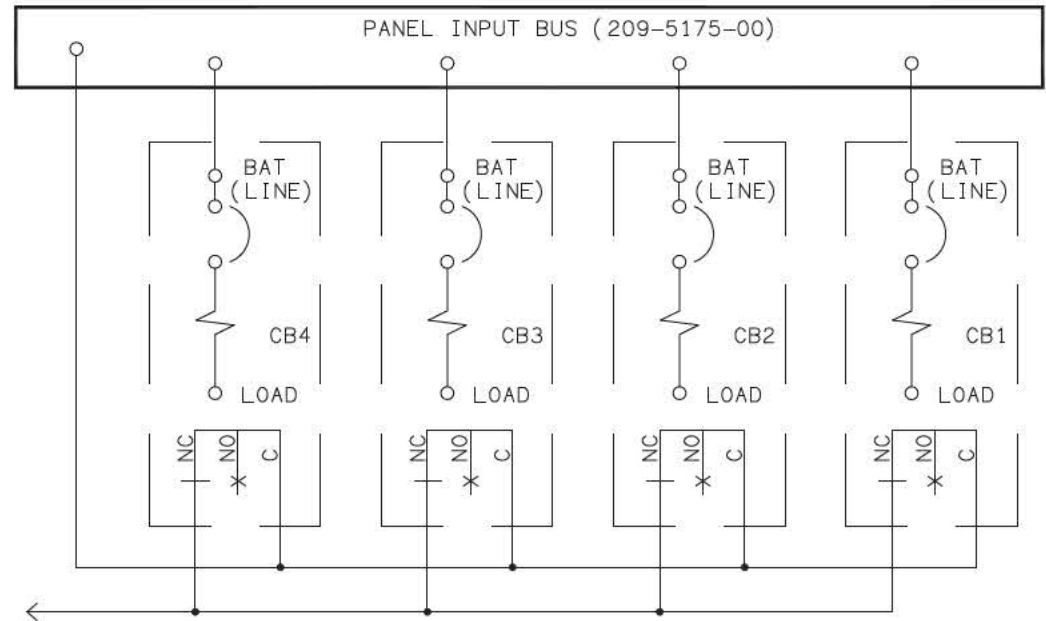
FROM CUSTOMER GND-RETURN TERMINAL
OR RETURN BUS KIT (385-5871-00)

+24VDC FUSE ALARM SIGNAL FROM BREAKERS (NC)

+24VDC SIGNAL FROM ANOTHER PANEL

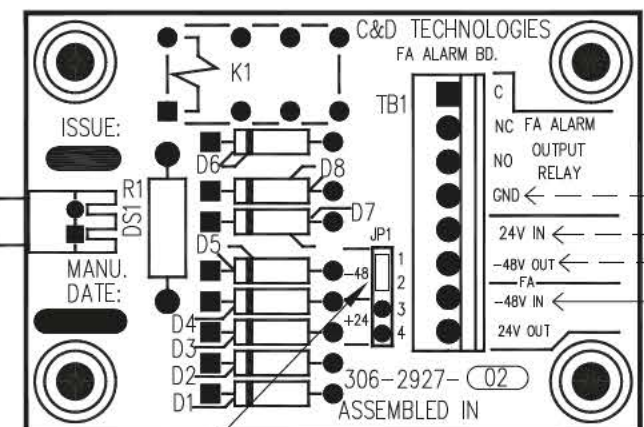
+24V OUTPUT TO EXTERNAL MONITOR

SCHEMATIC DIAGRAM



TO FUSE ALARM INPUT OF CIRCUIT BOARD
(306-2927-02) - SEE WIRING DETAILS

WIRING DETAIL FOR
111-3905-48



FROM CUSTOMER GND-RETURN TERMINAL
OR RETURN BUS KIT (385-5871-00)

-48VDC SIGNAL FROM ANOTHER PANEL

-48V OUTPUT TO EXTERNAL MONITOR

-48VDC FUSE ALARM SIGNAL FROM BREAKERS (NC)

NOTE:

1. ALARM CONTACTS ARE RATED 1 AMP RESISTIVE AT 30 VDC, 0.3 AMPS AT 110 VDC, AND 0.3 AMPS AT 125 VAC.

<p>PROPRIETARY INFORMATION NOT TO BE COPIED, USED OR DISCLOSED WITHOUT PRIOR WRITTEN PERMISSION FROM UNIPOWER LLC</p>		
<p>SIZE B</p>	<p>DOC TYPE / NUMBER PN 111-3905-XX</p>	<p>ISSUE 3</p>
<p>SCALE: NONE</p>	<p>SHEET: 2 OF 2</p>	<p>FILE NAME: PN111-3905-XX_SHT_2_ISS_3</p>