

ENGINEERING NOTES:

- 51. THE CIRCUIT BREAKER INSTALLATION SHOWN IN THE REAR VIEW IS PROVIDED AS A SUGGESTED LAYOUT ONLY. THIS PANEL WILL ACCOMMODATE A MAXIMUM OF 8 1 - 100 AMP CIRCUIT BREAKERS. TOTAL PANEL AMPERAGE MUST NOT EXCEED 500 AMPS. SEE TABLE B FOR A LIST OF CIRCUIT BREAKER KITS.
- 52. TO COVER BLANK CIRCUIT BREAKER POSITIONS, ORDER ONE BREAKER PLUG (213-3923-00) FOR EACH BLANK POSITION.
- 53. THE INPUT COPPER BUS BARS ARE DESIGNED FOR LUGGED CABLE CONNECTION FROM THE TOP OR REAR OF THE PANEL (3/8" HARDWARE, 1" C TO C).
- 54. FUSE ALARM BOARD (306-2927-02, 306-2927-06, OR 306-2927-12) PROVIDES AN ALARM SIGNAL OUTPUT AS WELL AS A SET OF FORM "C" ALARM CONTACTS. ALARM CONTACTS ARE RATED 1 AMP RESISTIVE AT 30 VDC, 0.3 AMPS AT 110 VDC, AND 0.3 AMPS AT 125 VAC.
- 57. THE AUXILIARY SWITCH LAYOUT (C, NO, NC) ON THE BREAKERS MAY VARY BETWEEN CIRCUIT BREAKER VENDORS. ALWAYS FOLLOW THE SCHEMATIC DIAGRAM (SHEET 2 OF 3) WHEN INSTALLING ANY CIRCUIT BREAKERS.
- 58. ALTERNATELY, THE PANEL MAY BE CONFIGURED TO FUNCTION AS A LOAD DISCONNECT PANEL. IF "TRIPPED" ALARM CONTACTS ARE REQUIRED INSTEAD OF THE STANDARD AUXILLARY ALARM CONTACTS, THEN THE HARNESS AND BREAKERS LISTED IN "TABLE C" MUST BE USED. (SEE SHEET 3 OF 3 FOR DETAILS ON ALTERNATE CONFIGURATION).
- 59. SHUNT (OPTIONAL) IS RATED AT 500A @ 50mV. CUSTOMER MAKES SENSE CONNECTIONS DIRECTLY TO SHUNT (#8 SCREW PROVIDED).

MANUFACTURING NOTES:

- 102. MOUNT WIRE LUG BETWEEN BUS BAR AND 1/4" FLAT WASHER.

TABLE A			
PANEL	VDC	MAX. CAP.	DESCRIPTION
111-3907-012	+12	500A	WITH SHUNT
111-3907-024	+24	500A	WITH SHUNT
111-3907-048	-48	500A	WITH SHUNT
111-3907-112	+12	500A	WITHOUT SHUNT
111-3907-124	+24	500A	WITHOUT SHUNT
111-3907-148	-48	500A	WITHOUT SHUNT
111-3907-248	+48	500A	WITH SHUNT
111-3907-348	+48	500A	WITHOUT SHUNT

TABLE B	
PART NUMBER	CKT BKR KIT
213-3923-00	BLANK
274-3811-01	1 AMP
274-3811-05	5 AMP
274-3811-10	10 AMP
274-3811-15	15 AMP
274-3811-20	20 AMP
274-3811-25	25 AMP
274-3811-30	30 AMP
274-3811-35	35 AMP
274-3811-40	50 AMP
274-3811-60	60 AMP
274-3811-70	70 AMP
274-3811-80	80 AMP
274-3811-90	90 AMP
274-3811-100	100 AMP

TABLE C	
FOR ALTERNATE "LOAD DISCONNECT" ONLY (SEE NOTE 58)	
PART NUMBER	CKT BKR KIT
HAR00581	ALM HARNESS
213-3923-00	BLANK
274-3812-01	1 AMP
274-3812-03	3 AMP
274-3812-05	5 AMP
274-3812-10	10 AMP
274-3812-15	15 AMP
274-3812-20	20 AMP
274-3812-25	25 AMP
274-3812-30	30 AMP
274-3812-35	35 AMP
274-3812-40	50 AMP
274-3812-60	60 AMP
274-3812-70	70 AMP
274-3812-80	80 AMP
274-3812-90	90 AMP
274-3812-100	100 AMP

ISSUES			
ISSUE #	DESCRIPTION	ISS. BY ISS. DATE	APP. BY APP. DATE
1	SEE ECN 15308 Original release of documentation.	KEL 10/21/05	MCM 10/25/05
2	SEE ECN 16921 Added +12 Vdc.	WD 7/9/09	MCM 7/21/09
3	SEE ECN 17473	WD 10/8/10	DBW 10/8/10


UNLESS OTHERWISE SPECIFIED DIMENSIONS ARE IN INCHES TOLERANCES ON: ±	HOLES	+0.004 -0.002	APPROVALS DRAWN K. E. LEWIS	DATE 10/21/05
	FRACTIONS	±1/32		
	DECIMALS (XX)	±0.020	CHECKED DMB	10/25/05
	DECIMALS (XXX)	±0.010		
	ANGLES	±1/2°	APPROVED MCM	10/25/05
APPROVED				

SQUARE CORNERS AND ANGLES ARE 90° UNLESS OTHERWISE SPECIFIED.

MATERIAL:  
N/A

FINISH:  
N/A

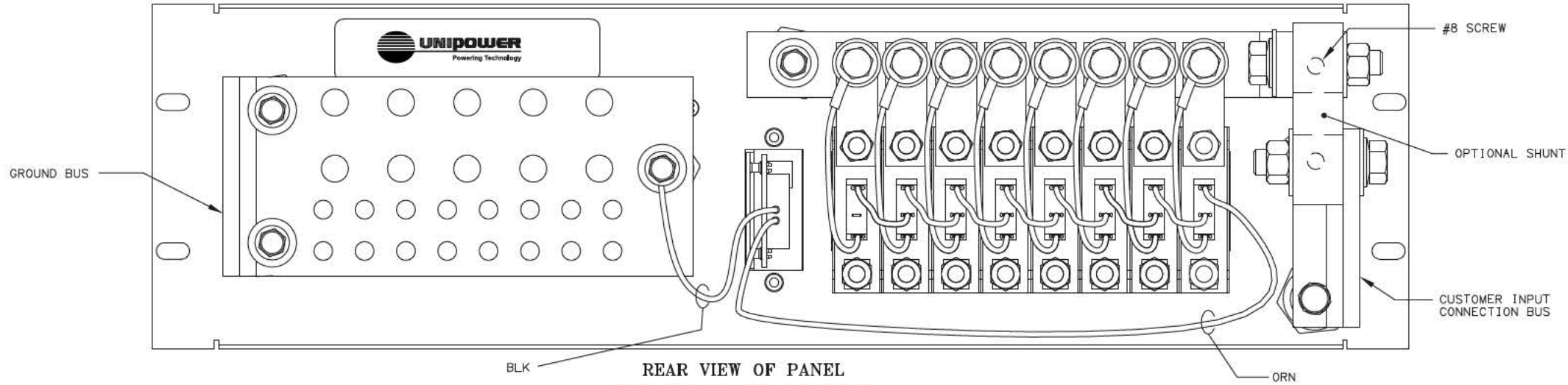
PROPRIETARY INFORMATION  
NOT TO BE COPIED, USED OR DISCLOSED  
WITHOUT PRIOR WRITTEN PERMISSION  
FROM UNIPOWER LLC



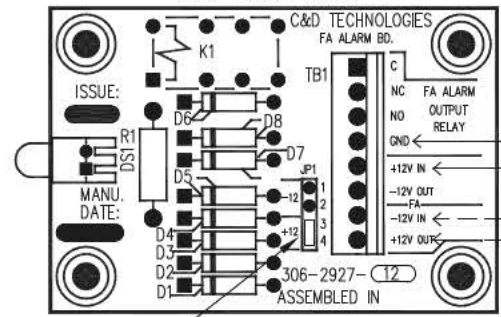
BREAKER PANEL,  
AM1 8 POS, FA ALARM,  
GROUND RETURN

SIZE <b>B</b>	DOC TYPE / NUMBER PN 111-3907-XX	ISSUE 3
SCALE: NONE	SHEET: 1 OF 3	FILE NAME: PN111-3907-XX_ISS_3



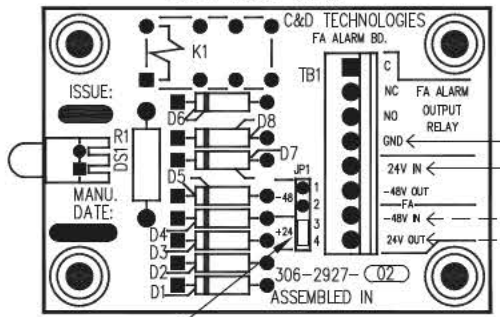


**WIRING DETAIL FOR 111-3907-X12**



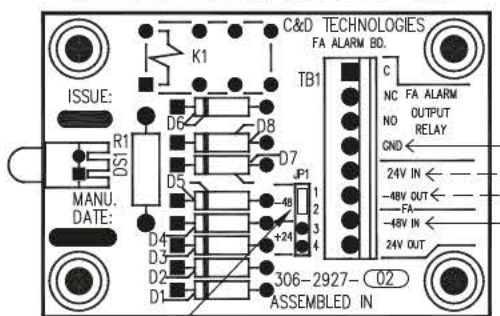
(SEE NOTE 54)  
 WIRO2604 FROM PANEL RETURN (209-8310-00)  
 WIRO2601 +12VDC FUSE ALARM SIGNAL FROM CB1 (C)  
 +12VDC SIGNAL FROM ANOTHER PANEL  
 +12V OUTPUT TO EXTERNAL MONITOR

**WIRING DETAIL FOR 111-3907-X24**



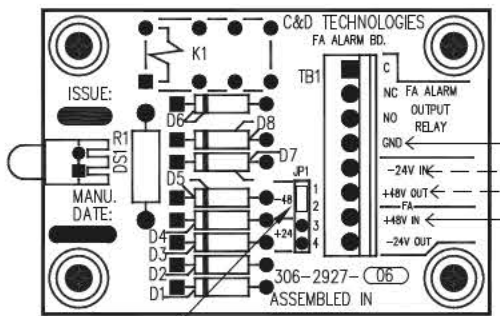
(SEE NOTE 54)  
 WIRO2604 FROM PANEL RETURN (209-8310-00)  
 WIRO2601 +24VDC FUSE ALARM SIGNAL FROM CB1 (C)  
 +24VDC SIGNAL FROM ANOTHER PANEL  
 +24V OUTPUT TO EXTERNAL MONITOR

**WIRING DETAIL FOR 111-3907-048 & 111-3907-148**



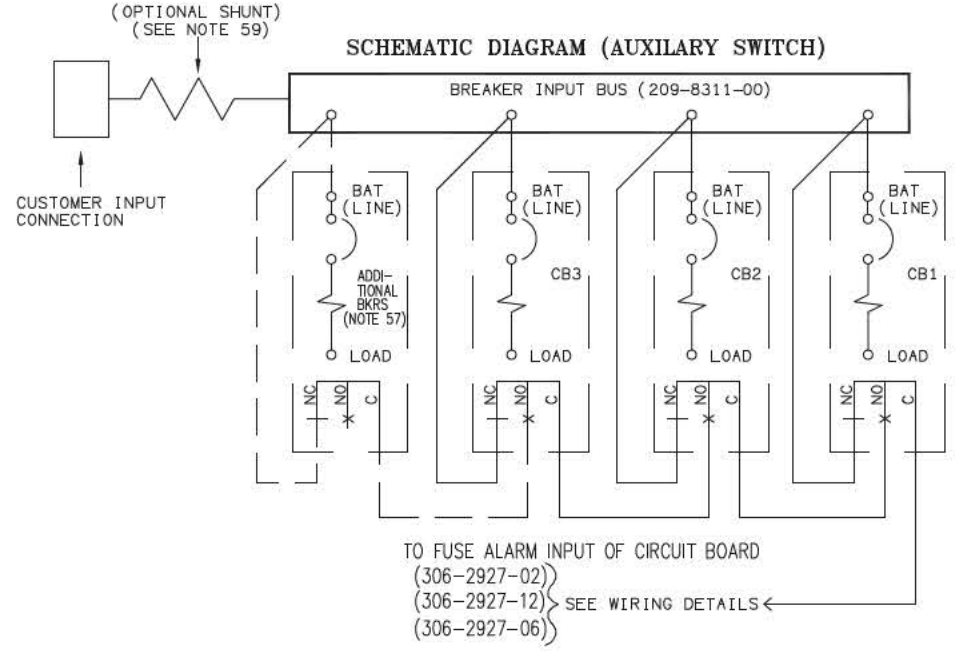
(SEE NOTE 54)  
 WIRO2604 FROM PANEL RETURN (209-8310-00)  
 -48VDC SIGNAL FROM ANOTHER PANEL  
 -48V OUTPUT TO EXTERNAL MONITOR  
 WIRO2601 -48VDC FUSE ALARM SIGNAL FROM CB1 (C)

**WIRING DETAIL FOR 111.3907.248 & 111.3907.348**

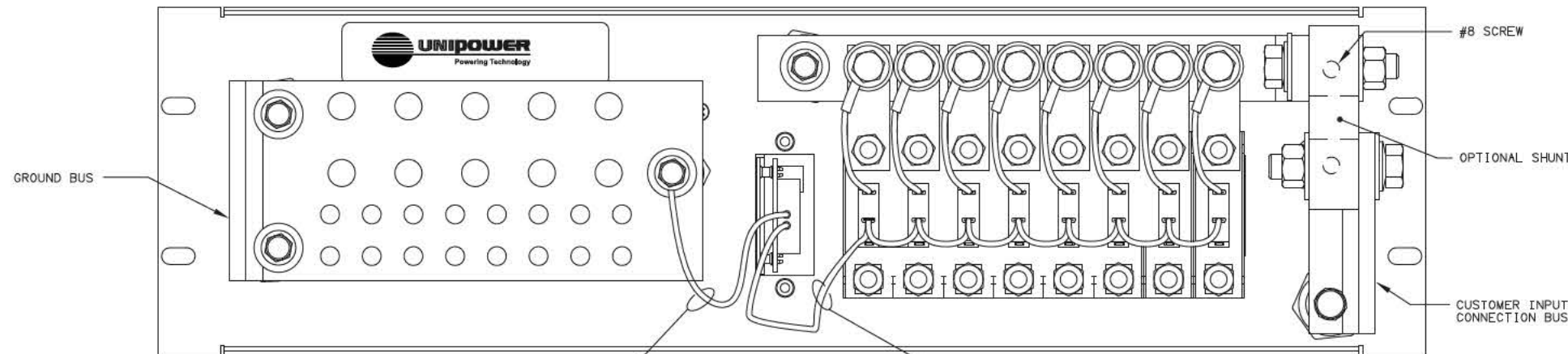


(SEE NOTE 54)  
 WIRO2604 FROM PANEL RETURN (209-8310-00)  
 +48VDC SIGNAL FROM ANOTHER PANEL  
 +48V OUTPUT TO EXTERNAL MONITOR  
 WIRO2601 +48VDC FUSE ALARM SIGNAL FROM CB1 (C)

**SCHEMATIC DIAGRAM (AUXILIARY SWITCH)**

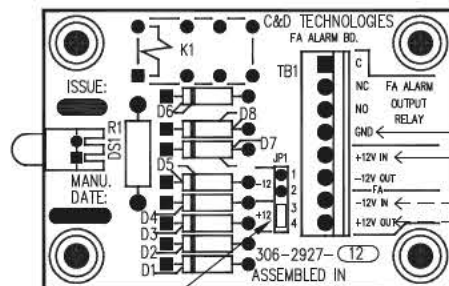


<b>PROPRIETARY INFORMATION</b> NOT TO BE COPIED, USED OR DISCLOSED WITHOUT PRIOR WRITTEN PERMISSION FROM UNIPOWER LLC		
SIZE <b>B</b>	DOC TYPE / NUMBER PN 111-3907-XX	ISSUE 3
SCALE: NONE	SHEET: 2 OF 3	FILE NAME: PN111-3907-XX_ISS_3



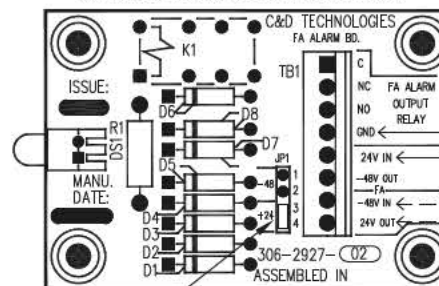
REAR VIEW OF PANEL  
WITH HARNESSSES INSTALLED  
(NOTE 58)  
(SHOWN WITH OPTIONAL SHUNT)

WIRING DETAIL FOR  
111-3907-012 & 111-3907-112



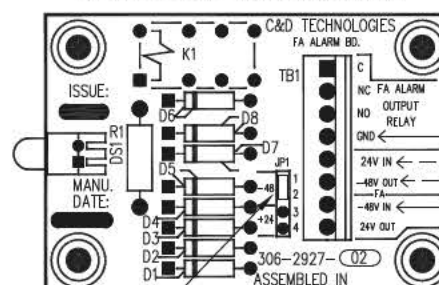
- (SEE NOTE 54)
- WRO2604 FROM PANEL RETURN (209-8310-00)
- WRO2601 +12VDC FUSE ALARM SIGNAL FROM CB1 (C)
- +12VDC SIGNAL FROM ANOTHER PANEL
- +12V OUTPUT TO EXTERNAL MONITOR

WIRING DETAIL FOR  
111.3907.024 & 111.3907.124



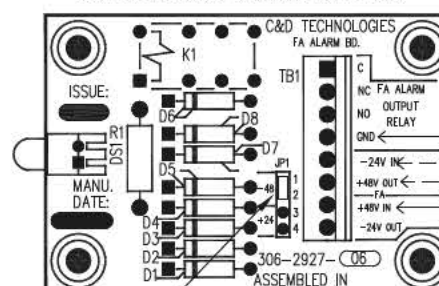
- WRO2604 FROM PANEL RETURN (209-8310-00)
- WRO2601 +24VDC FUSE ALARM SIGNAL FROM CB1 (C)
- +24VDC SIGNAL FROM ANOTHER PANEL
- +24V OUTPUT TO EXTERNAL MONITOR

WIRING DETAIL FOR  
111.3907.048 & 111.3907.148

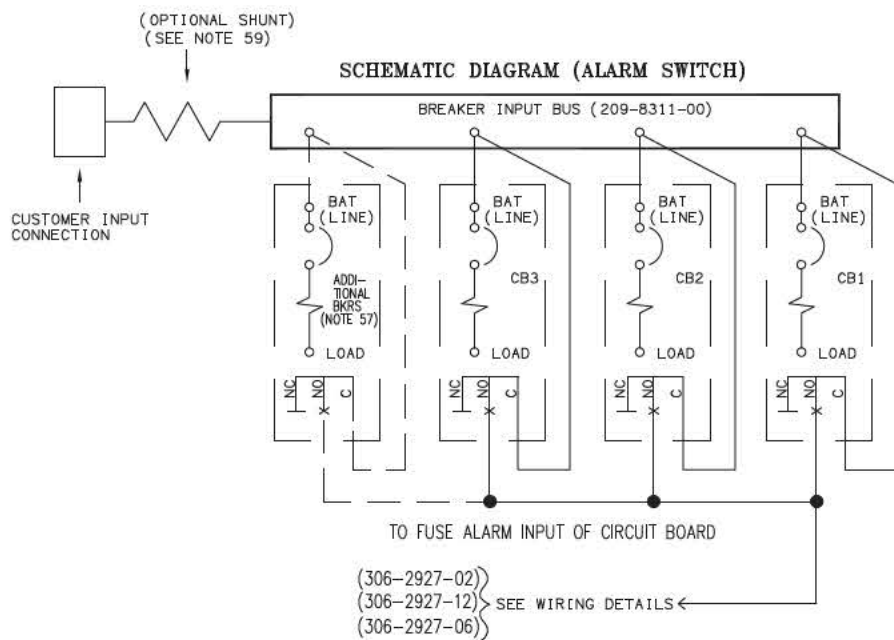


- WRO2604 FROM PANEL RETURN (209-8310-00)
- 48VDC SIGNAL FROM ANOTHER PANEL
- 48V OUTPUT TO EXTERNAL MONITOR
- WRO2601 -48VDC FUSE ALARM SIGNAL FROM CB1 (C)

WIRING DETAIL FOR  
111.3907.248 & 111.3907.348



- WRO2604 FROM PANEL RETURN (209-8310-00)
- +48VDC SIGNAL FROM ANOTHER PANEL
- +48V OUTPUT TO EXTERNAL MONITOR
- WRO2601 +48VDC FUSE ALARM SIGNAL FROM CB1 (C)



<b>PROPRIETARY INFORMATION</b> NOT TO BE COPIED, USED OR DISCLOSED WITHOUT PRIOR WRITTEN PERMISSION FROM UNIPOWER LLC		
SIZE <b>B</b>	DOC TYPE / NUMBER PN 111-3907-XX	ISSUE 3
SCALE: NONE	SHEET: 3 OF 3	FILE NAME: PN111-3907-XX_ISS_3