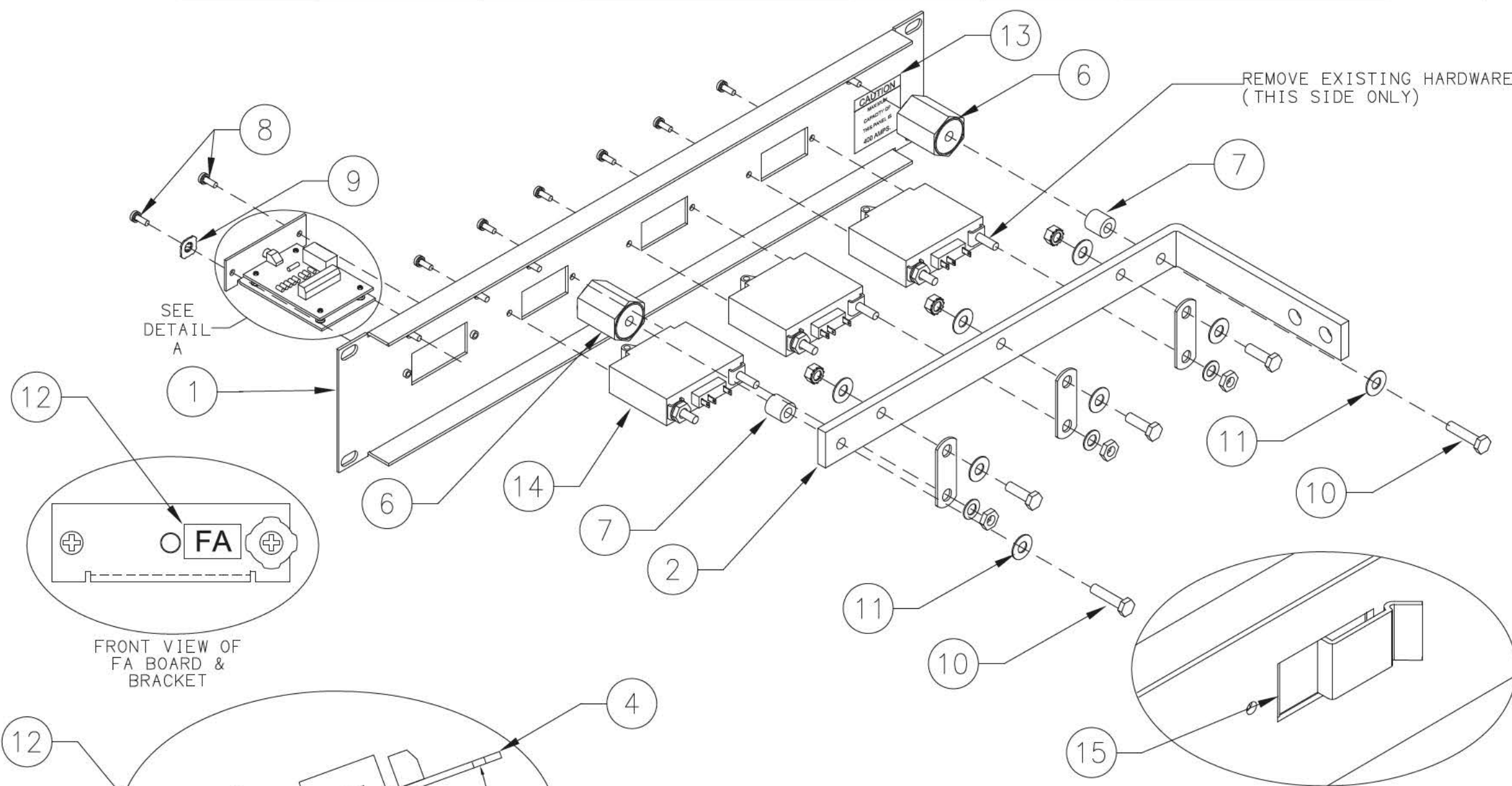


ISSUES

ISSUE #	DESCRIPTION	ISS. BY ISS. DATE	APP. BY APP. DATE
1	SEE ECN 19699 Original Release	KEL 05/29/14	DBW 6/6/14



FRONT VIEW OF FA BOARD & BRACKET

DETAIL B

DETAIL A

UNLESS OTHERWISE SPECIFIED DIMENSIONS ARE IN INCHES TOLERANCES ON:		APPROVALS	DATE
±		DRAWN KEL	05/29/14
HOLES	+0.004 -0.002	CHECKED CJM	6/4/14
FRACTIONS	±1/32	APPROVED DBW	6/6/14
DECIMALS (XX)	±0.020	APPROVED	
DECIMALS (XXX)	±0.010		
ANGLES	±1/2°		

SQUARE CORNERS AND ANGLES ARE 90° UNLESS OTHERWISE SPECIFIED.

MATERIAL:
N/A

FINISH:
N/A

PROPRIETARY INFORMATION
NOT TO BE COPIED, USED OR DISCLOSED
WITHOUT PRIOR WRITTEN PERMISSION
FROM UNIPOWER LLC



3 POSITION
BATTERY DISCONNECT PANEL

SIZE B	DOC TYPE / NUMBER PN 111-3935-XX	ISSUE 1
------------------	-------------------------------------	------------

SCALE: NONE	SHEET: 1 OF 2	FILE NAME: PN111-3935-XX_SHT_1_ISS_1
----------------	------------------	---

*	16	385-5871-00	-	RETURN BUS KIT (AS SPECIFIED ON ORDER)
**	15	213-3923-00	-	BREAKER PLUG (AS SPECIFIED ON ORDER)
***	14	274-3810-(05 - 100)	-	CIRCUIT BKR KITS (AS SPECIFIED ON ORDER)
	13	JN00442	1	LABEL, CAUTION (400 AMP MAX CAP)
	12	225-3100-564	1	LABEL, FUSE ALARM
	11	212-2516-00	2	WASHER, FLAT SS: 1/4" US "STD"
	10	210-1282-00	2	SCREW:SS, HEX HD, 1/4-20 X 1"
	9	212-0501-05	1	LOCKWASHER, DISH, STEEL
	8	210-1430-00	2	SCREW, STEEL, 6-32 X 3/8P
	7	213-1489-00	2	INSULATOR, NYLON
	6	213-1410-00	2	SPACER, FIBERGLASS, 1.25"H, 1/4-20
****	5	HAR00557	1	HARNESS
	4	306-2927-02	1	CIRCUIT BOARD, FA 24/48 VDC W/ RELAY
	3	208-8136-00	1	BRACKET, FA ALARM BOARD
	2	209-5175-50	1	BUSBAR, 3 BREAKER POSITIONS
	1	202-7638-50	1	PANEL, CIRCUIT BREAKER, 3 POSITION
	ITEM	C & D PART NO.	QTY	DESCRIPTION

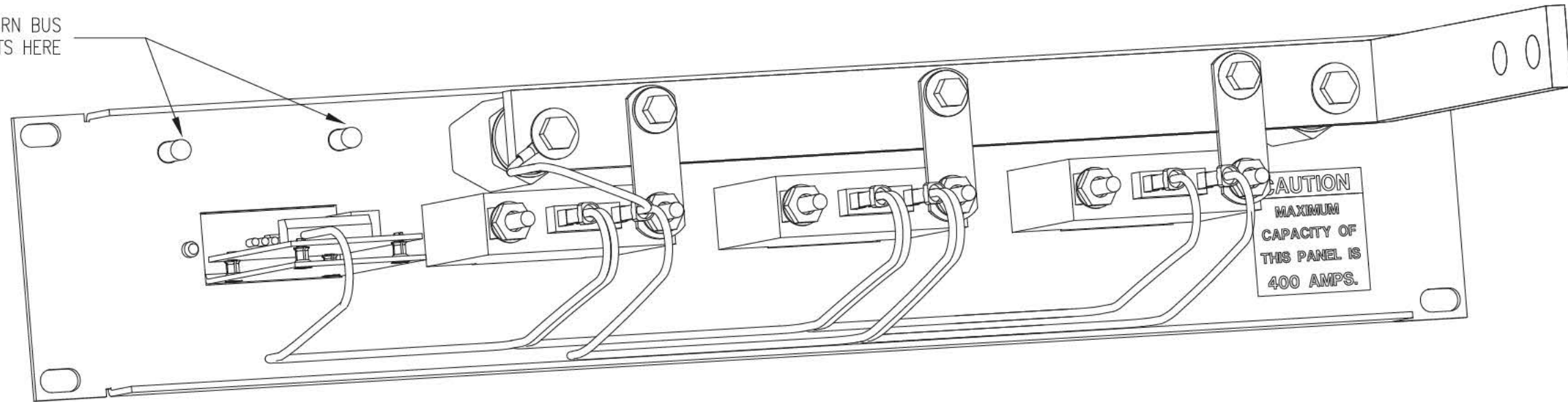
* SEE PN385-5871-00 FOR DETAILS & INSTALLATION INSTRUCTIONS ON THE RETURN BUS KIT. **CAUTION !!**: FUSE ALARM BOARD/BRACKET ASSEMBLY MUST BE REMOVED AND ACCESSED FROM THE FRONT OF THE PANEL WHEN SERVICING IN THE FIELD. PROXIMITY TO THE RETURN BUS PROHIBITS THE SAFE ACCESS TO THE FUSE ALARM BOARD TERMINAL BLOCK.

** "DETAIL B" SHOWS A REAR VIEW OF A BREAKER PLUG (213-3923-00) INSERTED INTO AN EMPTY BREAKER POSITION.

*** ALL HARDWARE SHOWN WITHOUT A NUMBER DESIGNATOR IS PART OF A CIRCUIT BREAKER KIT.

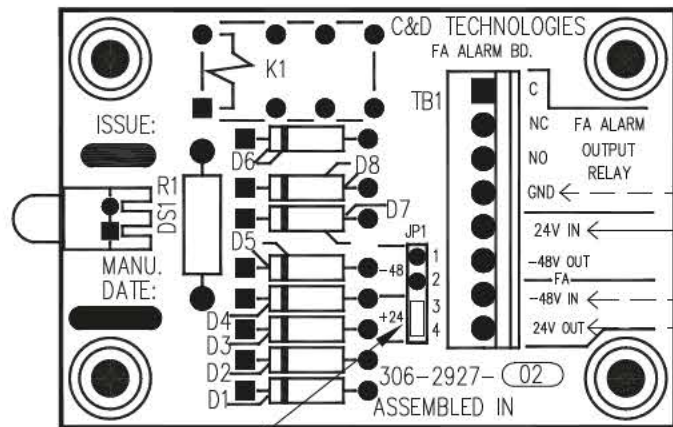
**** WIRE HARNESS (HAR00557) IS NOT REPRESENTED ABOVE; SEE SHEET 2 OF 2 FOR WIRING DETAILS. BREAKER POSITION 4 MUST BE INSULATED AND TY-RAPPED.

OPTIONAL RETURN BUS
KIT MOUNTS HERE



REAR VIEW OF PANEL
WITH HARNESS (HAR00557)
INSTALLED

WIRING DETAIL FOR
111-3935-24



FROM CUSTOMER GND-RETURN TERMINAL
OR RETURN BUS KIT (385-5871-00)

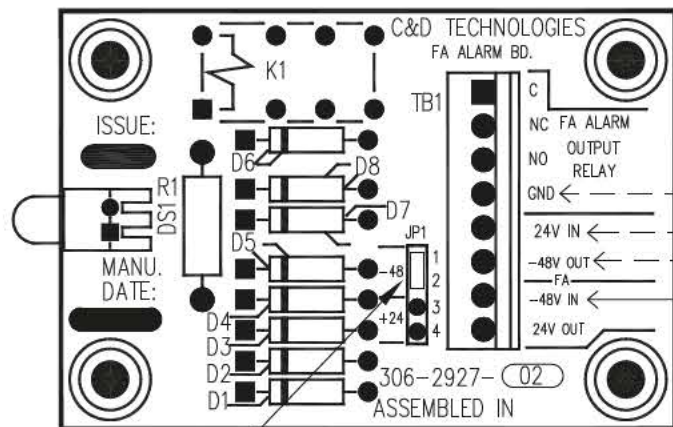
+24VDC FUSE ALARM SIGNAL FROM BREAKERS (NC)

+24VDC SIGNAL FROM ANOTHER PANEL

+24V OUTPUT TO EXTERNAL MONITOR

PLACE JUMPER HERE

WIRING DETAIL FOR
111-3935-48



FROM CUSTOMER GND-RETURN TERMINAL
OR RETURN BUS KIT (385-5871-00)

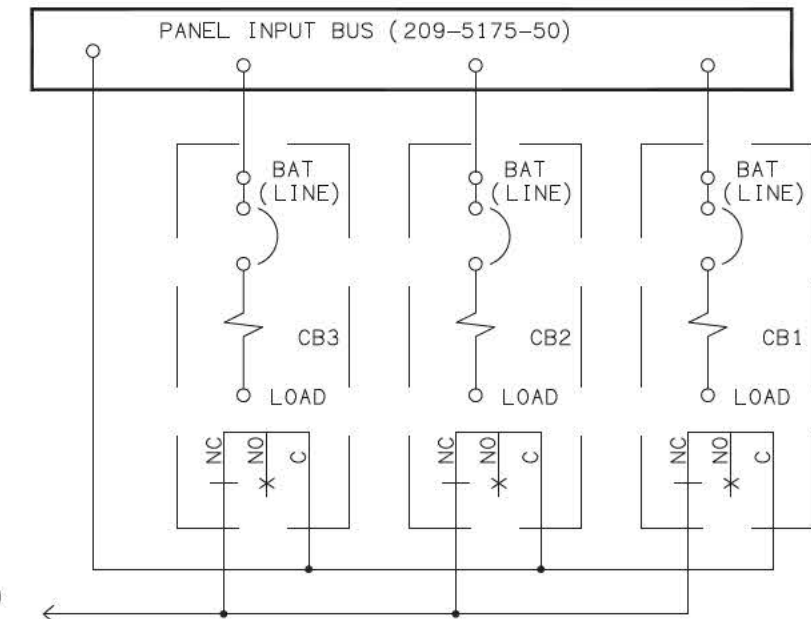
-48VDC SIGNAL FROM ANOTHER PANEL

-48V OUTPUT TO EXTERNAL MONITOR

-48VDC FUSE ALARM SIGNAL FROM BREAKERS (NC)

PLACE JUMPER HERE

SCHEMATIC DIAGRAM



TO FUSE ALARM INPUT OF CIRCUIT BOARD
(306-2927-02) - SEE WIRING DETAILS

NOTE:

- ALARM CONTACTS ARE RATED 1 AMP RESISTIVE AT 30 VDC, 0.3 AMPS AT 110 VDC, AND 0.3 AMPS AT 125 VAC.

PROPRIETARY INFORMATION
NOT TO BE COPIED, USED OR DISCLOSED
WITHOUT PRIOR WRITTEN PERMISSION
FROM UNIPOWER LLC

SIZE B	DOC TYPE / NUMBER PN 111-3935-XX	ISSUE 1
SCALE: NONE	SHEET: 2 OF 2	FILE NAME: PN111-3905-XX_SHT_2_ISS_1