

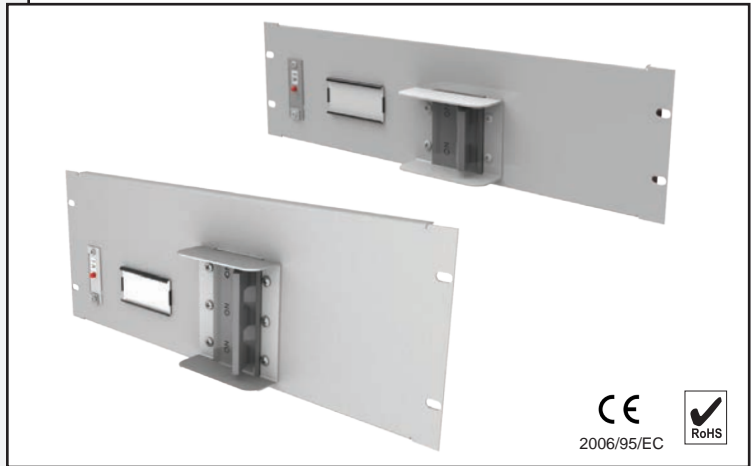
5000 SERIES
BATTERY DISCONNECT PANELS
-48V or +24V | 600A

DESCRIPTION

UNIPower's 5000 Series provides a compact 19" rack-mounted 400A (3RU) or 600A (4RU) battery disconnect solution.

The panels can operate at +24V or -48V and incorporate a single pole single throw GJ1 style breaker along with a 500A or 800A shunt for measuring battery current.

The panel can be supplied configured for either a Normally Open or Normally Closed alarm condition.



FEATURES

- ◆ 3RU or 4RU High
- ◆ 19-Inch Rack Mounting
- ◆ Current Capacity: 400A or 600A
- ◆ Operating Voltage: +24 or -48VDC
- ◆ SPST GJ1 Breaker
- ◆ LED Alarm Indicator
- ◆ Form C Relay Contacts

TWO-YEAR WARRANTY

SAFETY COMPLIANCE

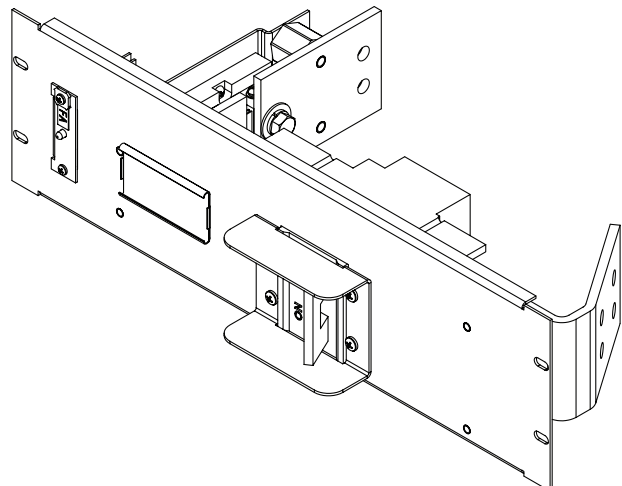
UL60950-1 2nd Ed.
CSA22.2, No. 950-1 2nd Ed.
EN60950-1 2nd Ed.

AVAILABLE CONFIGURATIONS

VOLTAGE ¹	BREAKER	SHUNT	ALARM ³	PANEL SIZE	PART NUMBER
+24VDC or -48VDC	400A SPST ² GJ1	500A	N.O.	19" x 3RU	111-5000-00
			N.C.		111-5000-10
+24VDC or -48VDC	600A SPST ² GJ1	800A	N.O.	19" x 4RU	111-5001-00
			N.C.		111-5001-10

Notes:

1. See alarm board wiring detail to select desired voltage.
2. Single Pole, Single Throw.
3. Alarm will activate on Normally Open or Normally Closed condition depending on model.



SPECIFICATIONS

Typical at 25°C Unless Otherwise Noted.

INPUT / OUTPUT

Breaker Rating / Panel Capacity	400A or 600A
Shunt	500A or 800A
Breaker Type	Single Pole, Single Throw GJ1
Voltage	
-48V Nominal	42-60VDC
+24V Nominal	21-30VDC

ALARMS

Alarm Indicator	Red LED
LED Status	OFF = Normal
	ON = Alarm
Alarm Connections	Form C Relay Contact

SAFETY STANDARDS (compliance with)	UL60950-1 2nd Ed.
	CSA22.2 No.60950-1 2nd. Ed.
	EN60-950-1 2nd Ed.

ENVIRONMENTAL

Operating Temp. Range	-10°C to +70°C
Storage Temp. Range	-40°C to + 85°C
Humidity	0% to 95%, Non-Condensing

PHYSICAL SPECIFICATIONS

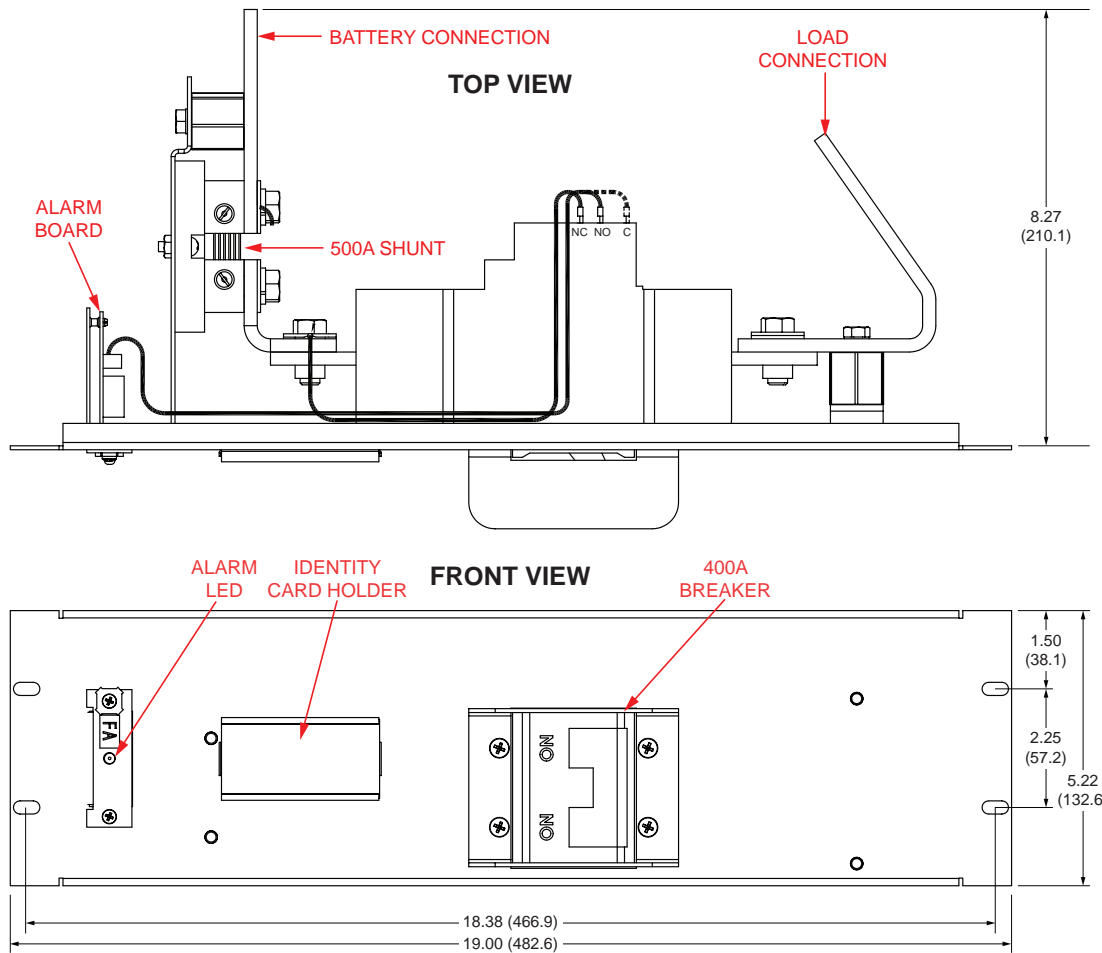
Panel Material	Steel
Finish	Powder Coat Gray
Dimensions, Inches (mm)	
400A models	5.22 H x 19.00 W x 8.27 D (132.6 x 482.6 x 210.1)
600A models	6.97 H x 19.00 W x 10.25 D (177.0 x 482.6 x 260.4)
Weight (shipping)	29.0 lbs. (13.2 kg.)
Rack Mounting Width	19 Inches

CONNECTIONS

Bus Connections	Accepts 2-hole lug (3/8" Hdw, 1" C-to-C)
Alarm Connections	Compression/Screw Terminals

DESCRIPTION & DIMENSIONS

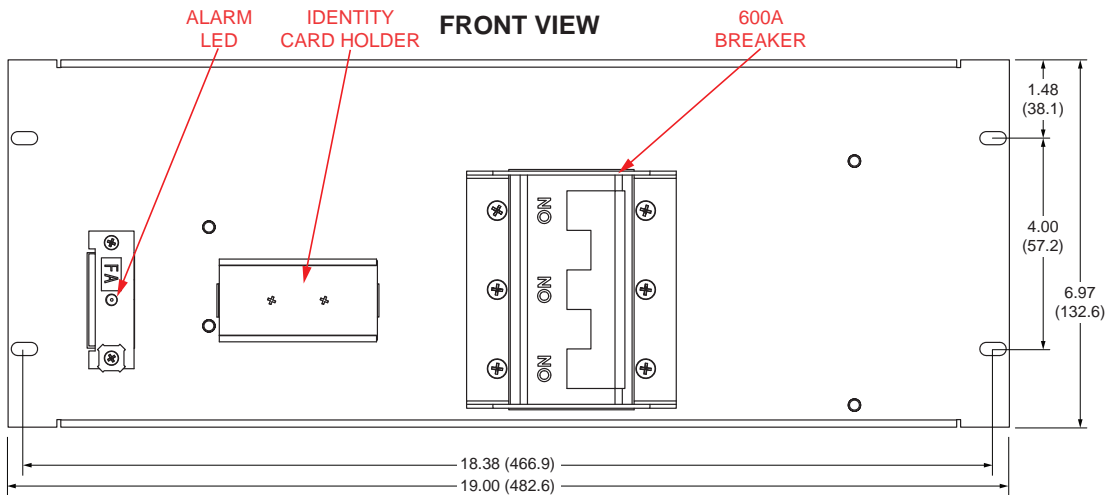
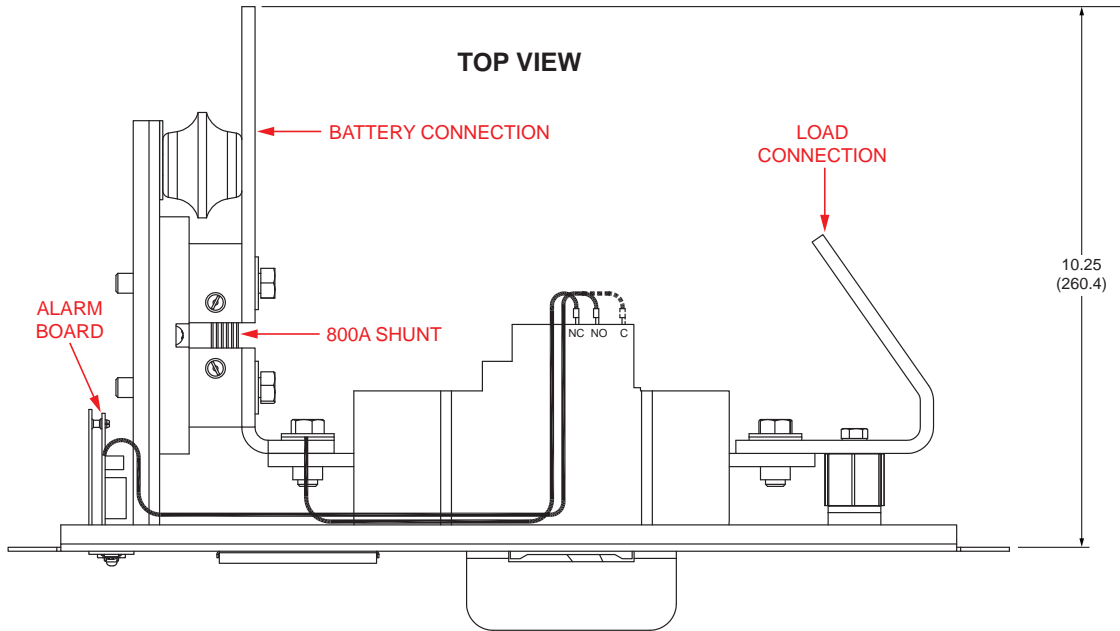
3RU - 400A Models



ALL DIMENSIONS IN INCHES (mm)

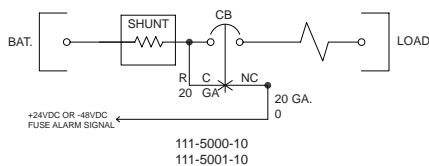
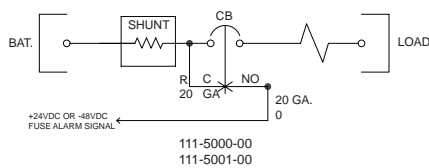
DESCRIPTION & DIMENSIONS

4RU - 600A Models

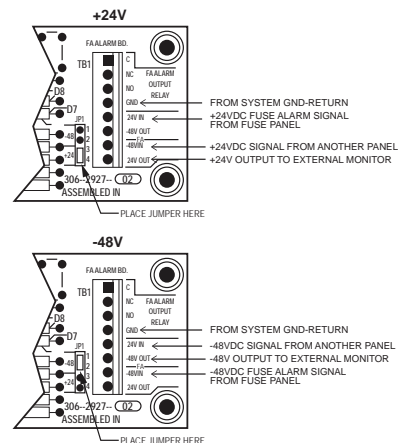


ALL DIMENSIONS IN INCHES (mm)

SCHEMATIC



ALARM BOARD WIRING DETAIL



© 2015 UNIPower LLC

This document is believed to be correct at time of publication and Unipower LLC accepts no responsibility for printing errors or inaccuracies. All specifications subject to change without notice.