

1

2

3

4

ISSUES			
ISSUE #	DESCRIPTION	ISS. BY ISS. DATE	APP. BY APP. DATE
1	SEE ECN 17224 ORIGINAL RELEASE OF DOCUMENTATION	KEL 03/31/10	MCM 3/31/10

UNLESS OTHERWISE SPECIFIED DIMENSIONS ARE IN INCHES ± TOLERANCES ON:		APPROVALS	DATE
HOLES	+0.004 -0.002	DRAWN K. E. LEWIS	03/31/10
FRACTIONS	±1/32	CHECKED MCM	3/31/10
DECIMALS (XX)	±0.020	APPROVED DBW	3/31/10
DECIMALS (XXX)	±0.010	APPROVED	
ANGLES	±1/2°		

SQUARE CORNERS AND ANGLES ARE 90° UNLESS OTHERWISE SPECIFIED.

MATERIAL:

FINISH:

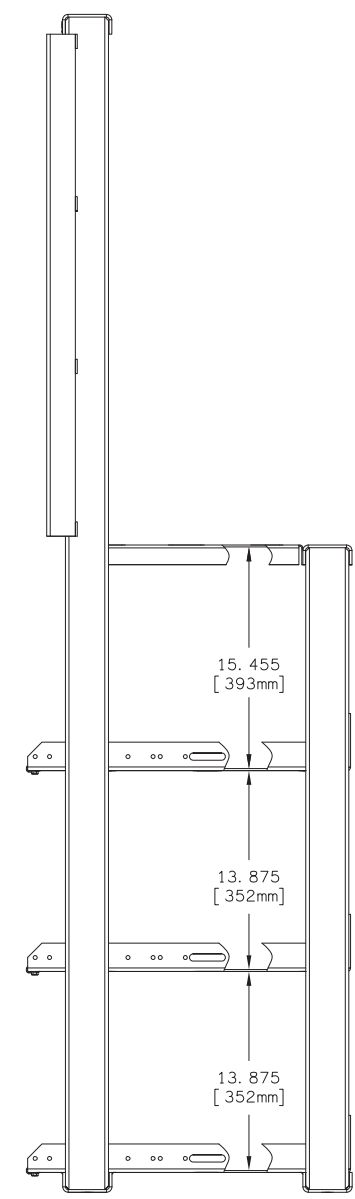
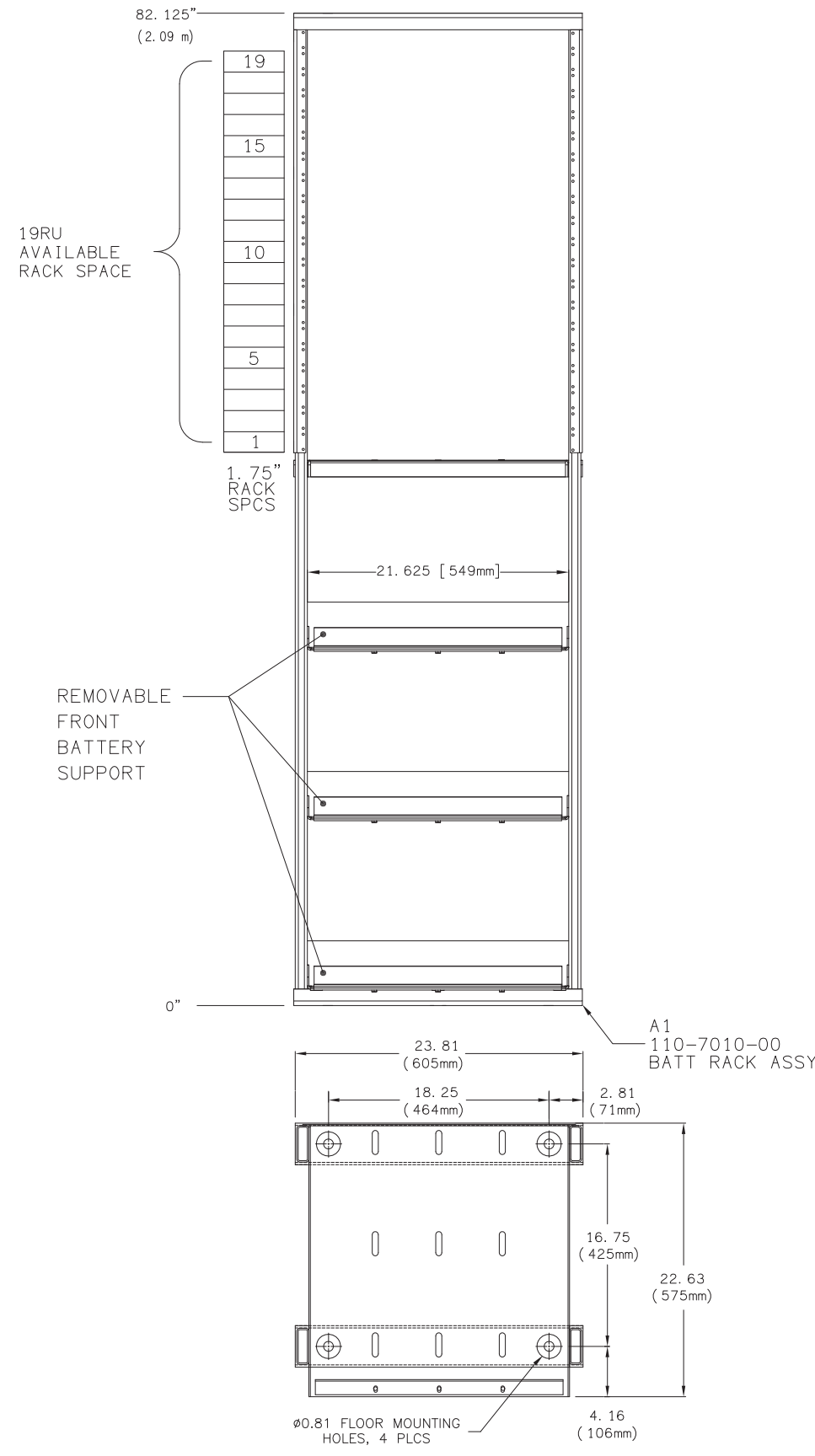
PROPRIETARY INFORMATION
NOT TO BE COPIED, USED OR DISCLOSED
WITHOUT PRIOR WRITTEN PERMISSION
FROM UNIPOWER LLC



BATTERY RACK, 3 TIER,
19RU 23" MOUNTING

SIZE B	DOC TYPE / NUMBER PN 110-7010-00	ISSUE 1
------------------	-------------------------------------	------------

SCALE: NONE	SHEET: 1 OF 1	FILE NAME: PN110-7010-00_ISS_1
----------------	------------------	-----------------------------------



APPROXIMATE WEIGHT: 190lbs.

1

2

3

4