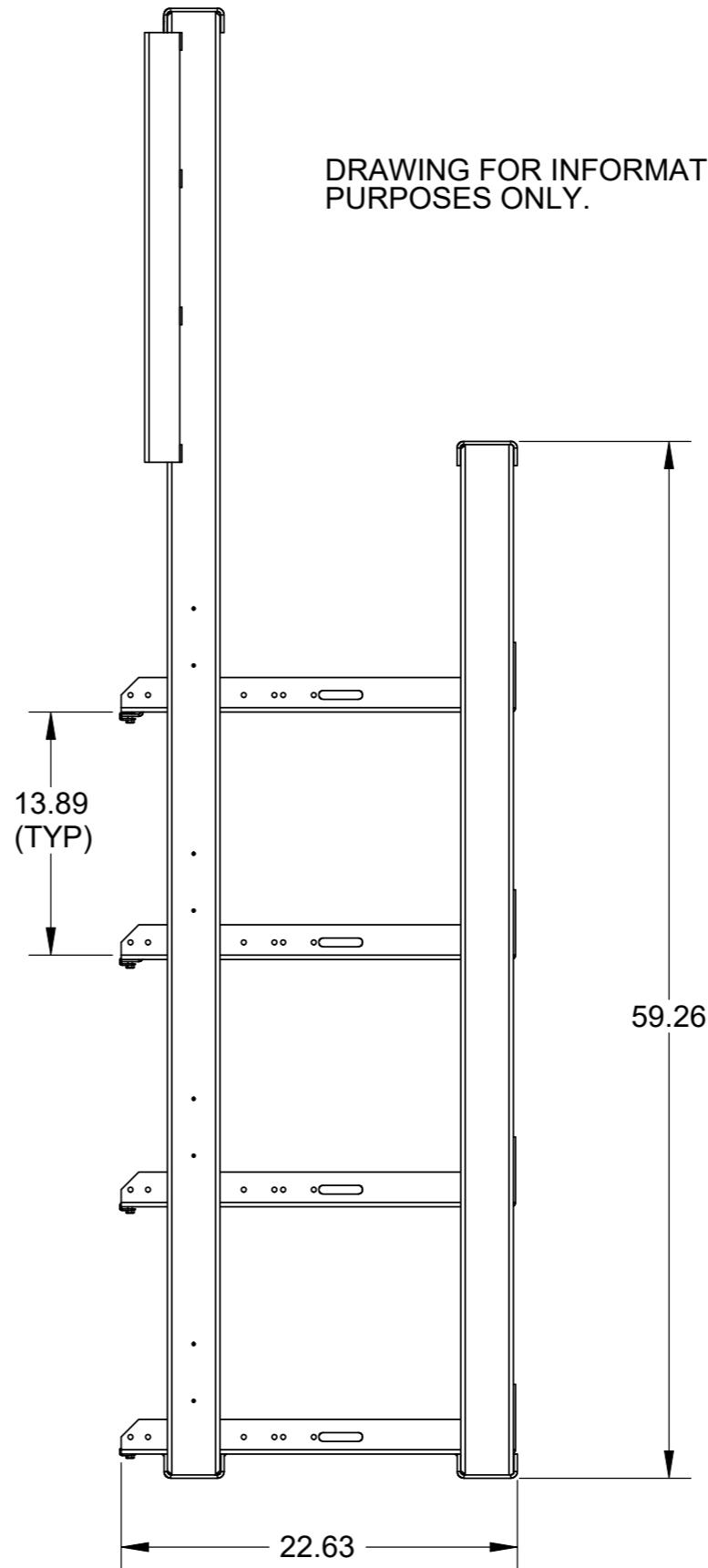
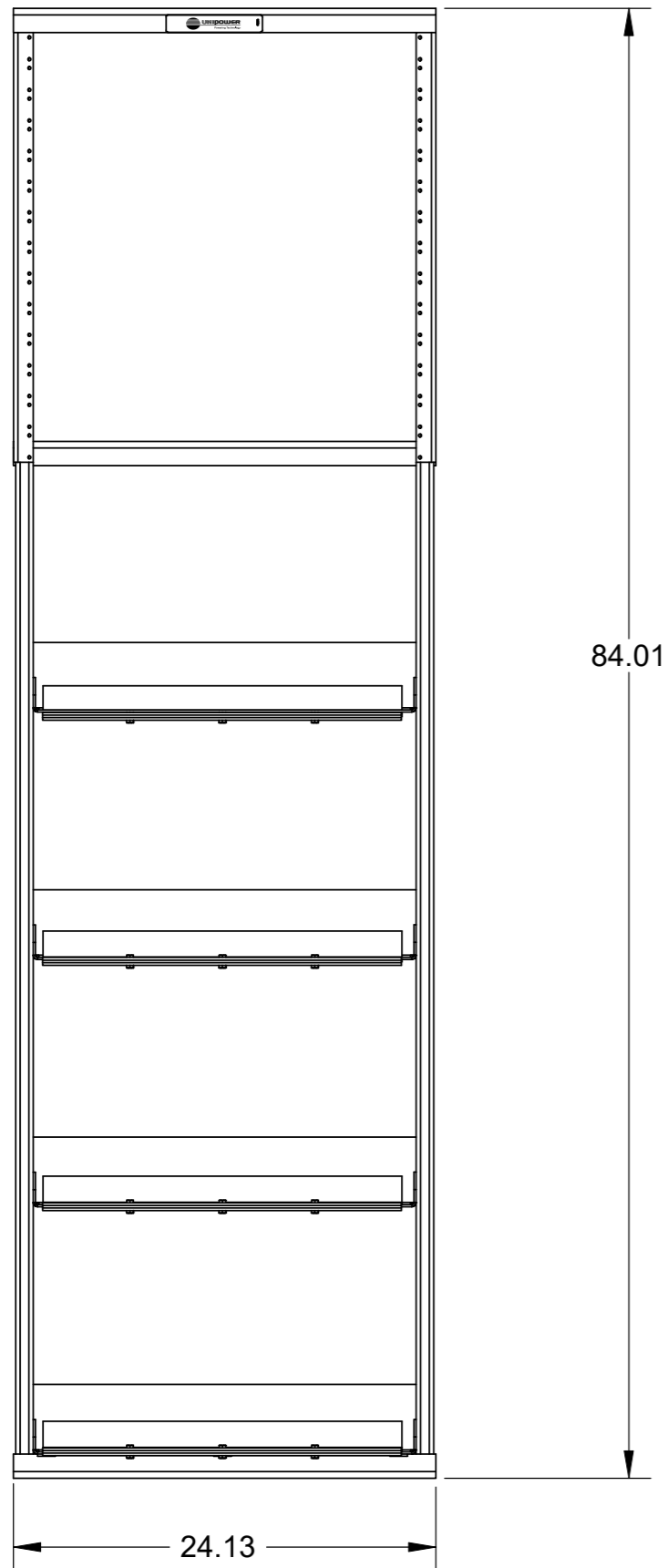


ED091-0002-B1 Issue 2



DRAWING FOR INFORMATION PURPOSES ONLY.

ISSUE			
ISSUE	DESCRIPTION	Issue By Issue Date	App. By App. Date
1	ORIGINAL RELEASE. SEE ECN 19301.	WD 10/24/13	MCM 10/29/13

UNLESS OTHERWISE SPECIFIED:			
DIMENSIONS ARE IN INCHES			
TOLERANCES ARE:			
FRACTIONAL ± 1/32			
ANGULAR: ± 1			
ONE PLACE DECIMAL ± 0.04			
TWO PLACE DECIMAL ± 0.02			
THREE PLACE DECIMAL ± 0.010			
HOLES +0.004 / -0.002			
	NAME	DATE	
DRAWN	W.DEAKINS	10/24/13	
CHECKED	MCM	10/29/13	
ENG APPR.	CJM	10/29/13	
MFG APPR.			

PROPRIETARY INFORMATION
NOT TO BE COPIED, USED OR DISCLOSED
WITHOUT PRIOR WRITTEN PERMISSION
FROM UNIPOWER LLC

MATERIAL:

FINISH:



TITLE: **BATTERY RACK
4 TIER**

SIZE	DOC TYPE / NUMBER	ISSUE
B	PN 110-7020-00	1

SCALE	SHEET	FILE
N/A	1 OF 1	PN110-7020-00.SLDDRW