

RECOMMENDED
PLACEMENT PER
BATTERY TRAY

REMOVABLE
BATTERY
RESTRAINT
PANEL (5X)

SEE DETAIL "E", ON
SHEET 2 FOR SIDE
SHIELD INSTALLATION.

82.13"
[2086mm]

Add sleeving and ty-raps to all points where cables are secured to the battery rack. This will prevent cable from being damaged. (TYPICAL both sides)

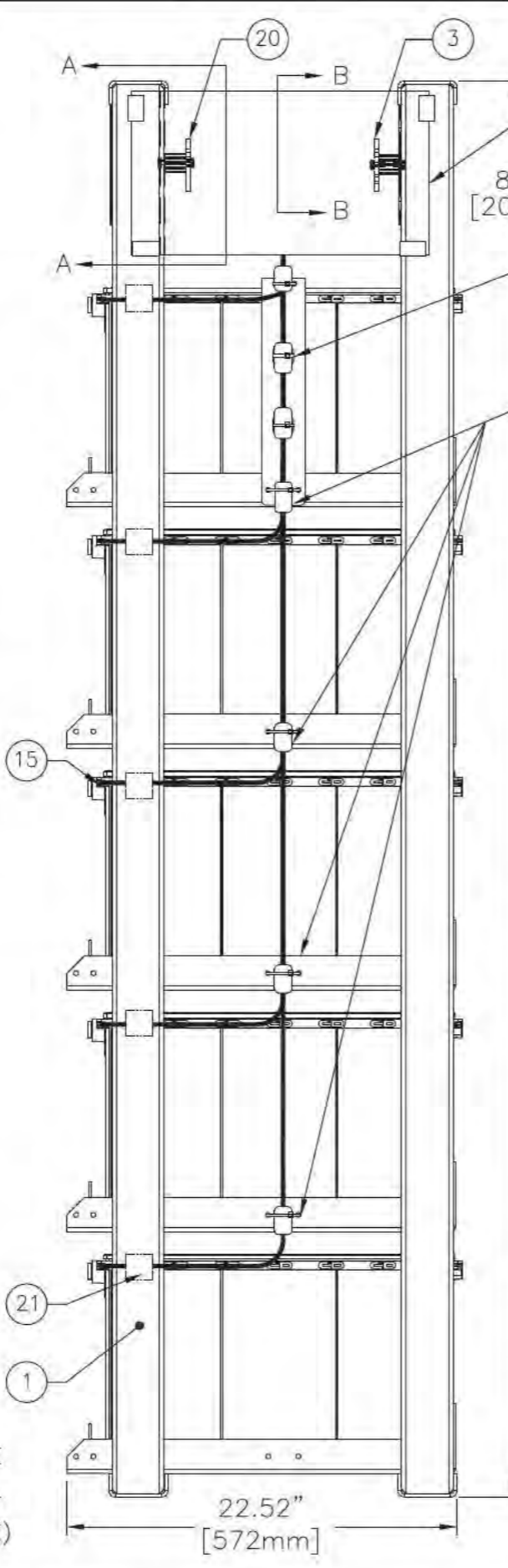
Add sleeving and ty-raps to all points where "C" channel may come in contact with cable. This will prevent cable from being damaged. (TYPICAL both sides)

- NOTES:
1. ANCHORS NOT PROVIDED BY C&D.
 2. RECOMMENDED ANCHOR SIZE IS HILTI, HSL M12/25 OR EQUIVALENT
 3. ESTIMATED RACK ASSEMBLY WEIGHT, 300LBS. ESTIMATED FULL SYSTEM WEIGHT, 3000LBS.
 4. POSITIVE AND NEGATIVE BUS ARE NOT DESIGNED TO SUPPORT WEIGHT OF CABLE(S).
 5. SEE SHEET 2 FOR DETAILS.
 6. ITEM #21, CORD CLIP, SHIPPED LOOSE FOR CUSTOMER INSTALLATION.
 7. BATTERIES TO BE ORDERED SEPARATELY.
 8. FREE CABLE ENDS MUST BE PROTECTED FROM SHORT, USE ITEM #15.

SYSTEM PART NUMBER: **110-7050-01**

BILL OF MATERIALS			
ITEM	QTY	PART NO.	DESCRIPTION
1	1	170.0501.00A	BATTERY RACK
2	1	202.3244.03	BLANK PANEL
3	1	209.5501.10	GROUND RETURN BUS BAR
4	1	WIRO2710	CABLE ASSY, #4 94" LG.
5	1	WIRO2711	CABLE ASSY, #4 80" LG.
6	1	WIRO2712	CABLE ASSY, #4 68" LG.
7	1	WIRO2713	CABLE ASSY, #4 56" LG.
8	1	WIRO2714	CABLE ASSY, #4 42" LG.
9	1	WIRO2715	CABLE ASSY, #4 92" LG.
10	1	WIRO2716	CABLE ASSY, #4 78" LG.
11	1	WIRO2717	CABLE ASSY, #4 64" LG.
12	1	WIRO2718	CABLE ASSY, #4 50" LG.
13	1	WIRO2719	CABLE ASSY, #4 36" LG.
14	8	PH02948	CLIP, SIDE SHIELD
15	20	REC03879	SHIPPING CAP, FOR #4 LUGS (NOT SHOWN)
16	2	PH02931-11	SIDE SHIELD, FR PVC. 17.25" X 9.50"
17	1	PH02941	LABEL: LOGO
18A	10	210.1292.00	BOLT, 3/8-16 X 1.00" S.S.
18B	20	212.2518.00	WASHER, FLAT 3/8" S.S.
18C	10	211.0506.01	NUT, HEX, "KEPS" 3/8-16 S.S.
19	1	225.8530.00	LABELS: 1A-2K
20	1	209.5501.10	BUS BAR
21	10	PH02932	CORD CLIP
22	2	202.8676.00	BUS BAR, MOUNTING BRACKET
26	1	WIRO2720	CABLE ASSY, #4 104" LG.
27	1	WIRO2721	CABLE ASSY, #4 90" LG.
28	1	WIRO2722	CABLE ASSY, #4 78" LG.
29	1	WIRO2723	CABLE ASSY, #4 66" LG.
30	1	WIRO2724	CABLE ASSY, #4 52" LG.
31	1	WIRO2725	CABLE ASSY, #4 102" LG.
32	1	WIRO2726	CABLE ASSY, #4 88" LG.
33	1	WIRO2727	CABLE ASSY, #4 74" LG.
34	1	WIRO2728	CABLE ASSY, #4 60" LG.
35	1	WIRO2729	CABLE ASSY, #4 46" LG.
40	1	JN00193-1	LABEL: "POS"
41	1	JN00193-2	LABEL: "NEG"
60	5	213.4250.00	PLASTIC DIVIDER
61	6	032.0002.01	SLEEVING
62	40	216.6020.00	TY-RAP
63	5	208.8500.50A	BRACKET, BATT.RACK

*WIRE LISTS LOCATED UNDER 350.8030.00



ISSUES			
ISSUE #	DESCRIPTION	ISS. BY ISS. DATE	APP. BY APP. DATE
1	SEE ECN 16513 Original release of documentation.	KEL 09/12/08	CJM 9/26/08
2	SEE ECN 16823	WD 5/14/09	MCM 5/19/09
3	SEE ECN 17514	WD 11/5/10	DBW 11/10/10
4	SEE ECN 18613 Changed SEQ 21, in the table from 246.6050.00, TY-RAP to PH02923, CORD CLIP	KEL 10/19/12	DBW 10/22/12

UNLESS OTHERWISE SPECIFIED DIMENSIONS ARE IN INCHES ± TOLERANCES ON:		APPROVALS	DATE
HOLES	+0.004 -0.002	DRAWN K. E. LEWIS	09/12/08
FRACTIONS	±1/32	CHECKED DBW	9/25/08
DECIMALS (XX)	±0.020	APPROVED CJM	9/26/08
DECIMALS (XXX)	±0.010	APPROVED	
ANGLES	±1/2°		

SQUARE CORNERS AND ANGLES ARE 90° UNLESS OTHERWISE SPECIFIED.

MATERIAL:

FINISH:

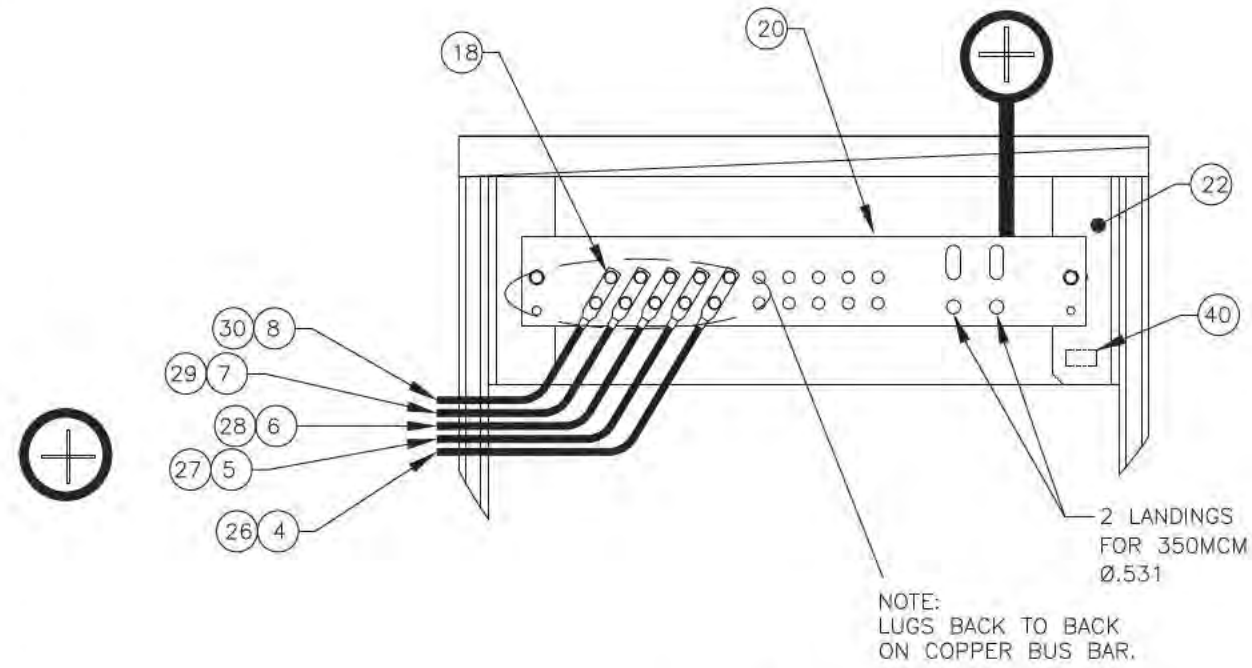
PROPRIETARY INFORMATION
NOT TO BE COPIED, USED OR DISCLOSED
WITHOUT PRIOR WRITTEN PERMISSION
FROM UNIPOWER LLC

UNIPOWER
POWERING TECHNOLOGY

BATTERY SYSTEM,
+24VDC, CHARGE & RETURN BUS
5-TIER FA RACK (NEBS ZONE 2)

SIZE	DOC TYPE / NUMBER	ISSUE
B	J 110-7050-01	4

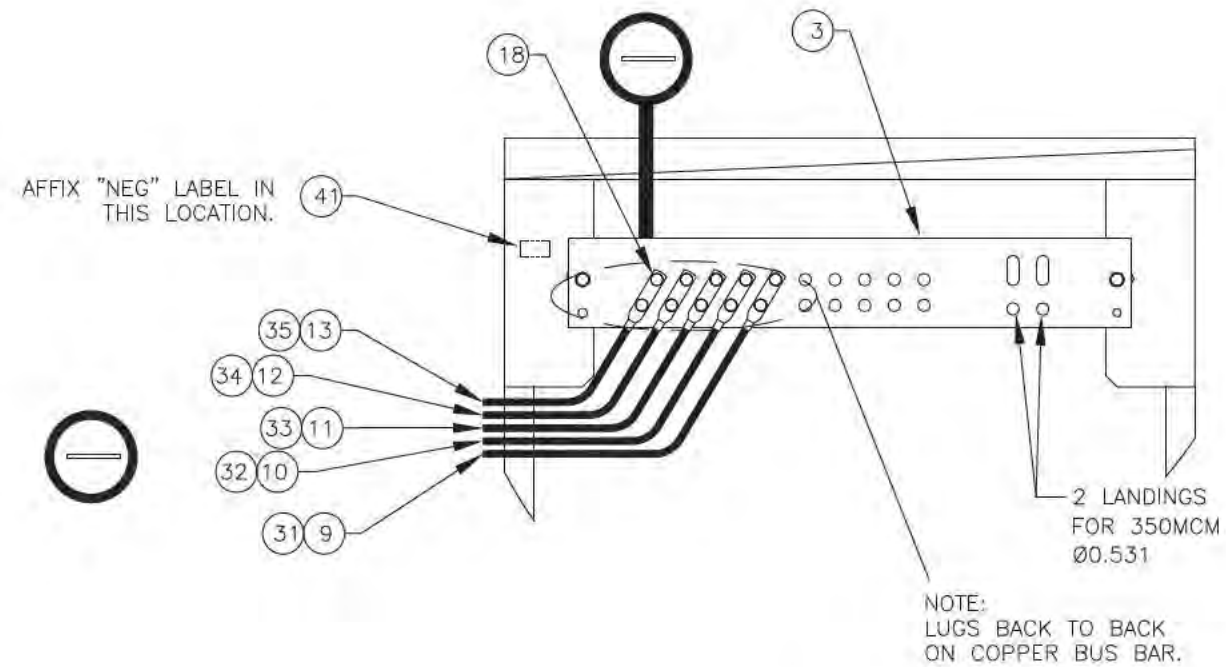
SCALE: NONE SHEET: 1 OF 3 FILE NAME: J110-7050-01_ISS_4



AFFIX "POS" LABEL IN THIS LOCATION.

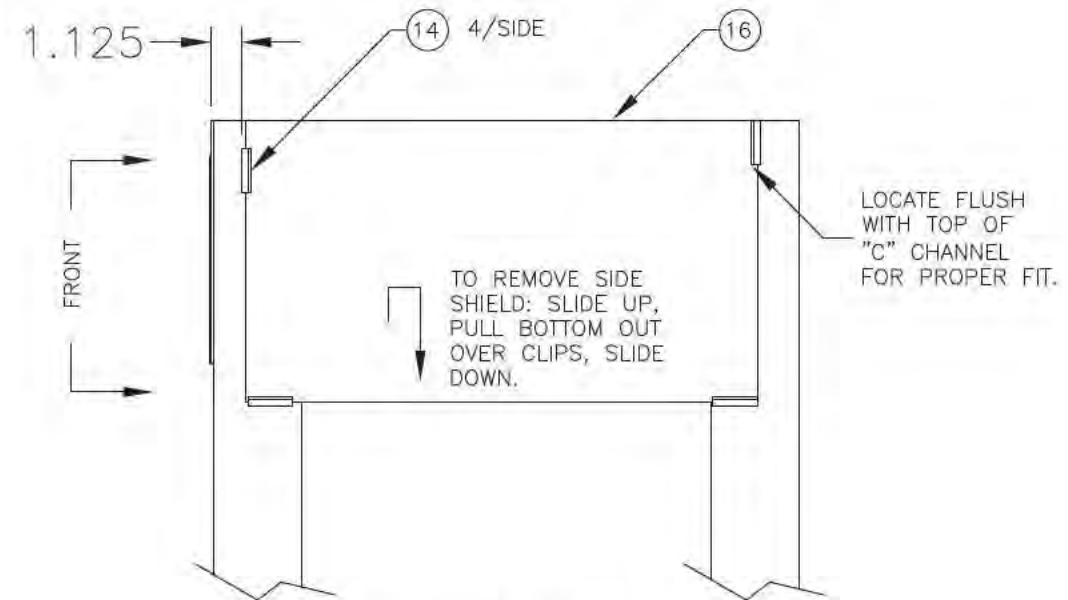
VIEW A - A

4 thru 8 mount to the Front of the bus.
26 thru 30 mount to the Rear of the bus.



VIEW B - B

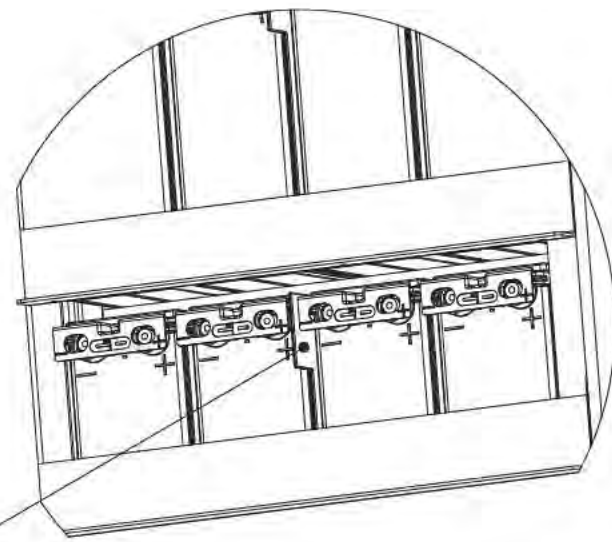
9 thru 13 mount to the Front of the bus.
31 thru 35 mount to the Rear of the bus.



VIEW E SIDE VIEW

NOTE:
TYPICAL INSTALLATION
OF PH02948, ON EACH
SIDE OF RACK.

PROPRIETARY INFORMATION NOT TO BE COPIED, USED OR DISCLOSED WITHOUT PRIOR WRITTEN PERMISSION FROM UNIPOWER LLC		
SIZE B	DOC TYPE / NUMBER J 110-7050-01	ISSUE 4
SCALE: NONE	SHEET: 2 OF 3	FILE NAME: J110-7050-01_ISS_4

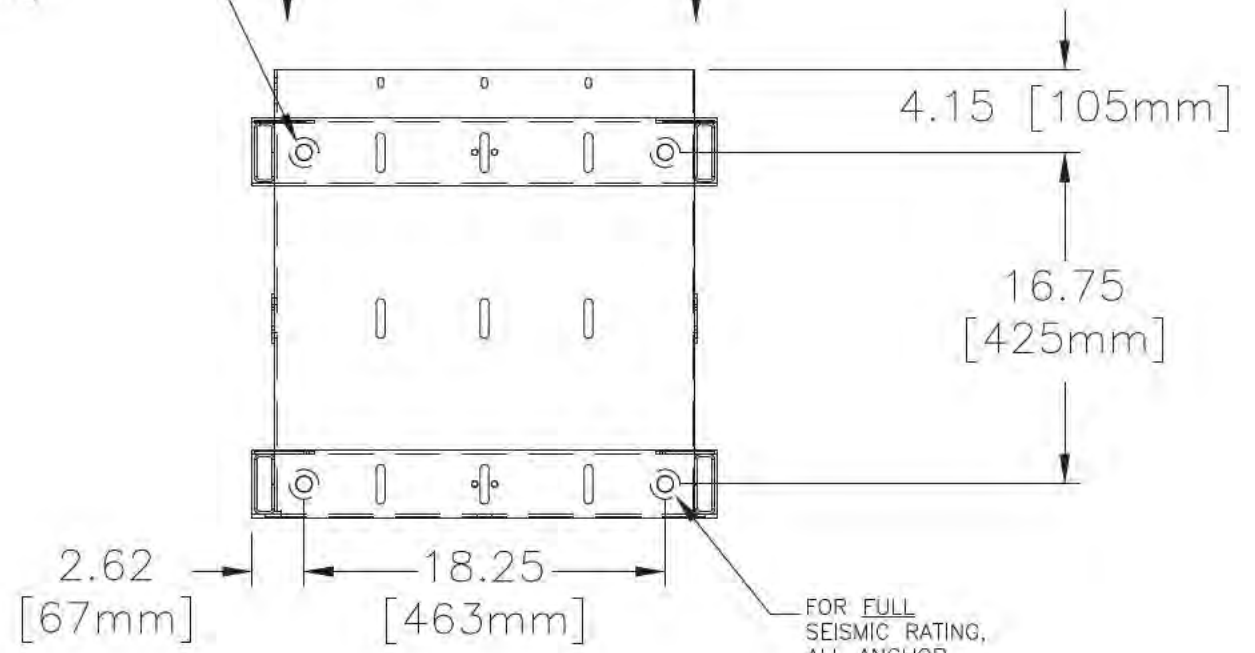


Place plastic divider, supplied with battery rack, between middle 2 batteries.

60

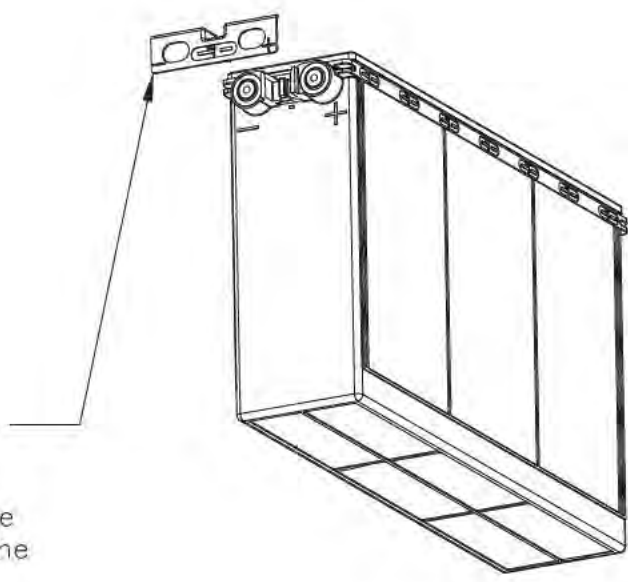
Ø0.813" (8X)
[21mm]

FRONT OF RACK

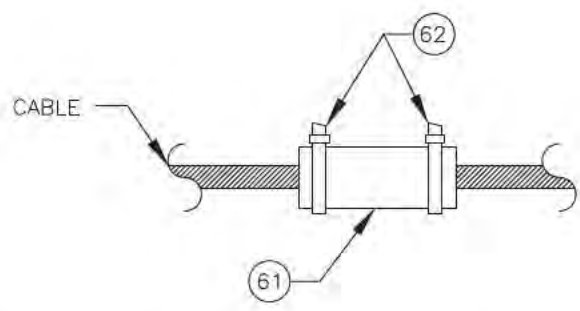


FOR FULL SEISMIC RATING, ALL ANCHOR BOLT LOCATIONS MUST BE USED.

BOTTOM VIEW
(RACK MOUNTING LOCATIONS)



Battery terminal covers must be removed to attach the battery straps. After the straps are attached, replace the covers.



ALL BATTERY CABLES THAT CROSS OVER ANY RACK EDGE IS INSULATED WITH ACRYLIGLASS "C" SLEEVING TO PREVENT ANY DAMAGE TO THE CABLE.

PROPRIETARY INFORMATION NOT TO BE COPIED, USED OR DISCLOSED WITHOUT PRIOR WRITTEN PERMISSION FROM UNIPOWER LLC		
SIZE B	DOC TYPE / NUMBER J 110-7050-01	ISSUE 4
SCALE: NONE	SHEET: 3 OF 3	FILE NAME: J110-7050-01_ISS_4