

SEE DETAIL "E", ON SHEET 2 FOR SIDE SHIELD INSTALLATION.

Add sleeving and ty-raps to all points where cables are secured to the battery rack. This will prevent cable from being damaged. (TYPICAL both sides)

Add sleeving and ty-raps to all points where "C" channel may come in contact with cable. This will prevent cable from being damaged. (TYPICAL both sides)

- NOTES:
1. ANCHORS NOT PROVIDED BY C&D.
 2. RECOMMENDED ANCHOR SIZE IS HILTI, HSL M12/25 OR EQUIVALENT
 3. ESTIMATED RACK ASSEMBLY WEIGHT, 300LBS. ESTIMATED FULL SYSTEM WEIGHT, 3000LBS.
 4. POSITIVE AND NEGATIVE BUS ARE NOT DESIGNED TO SUPPORT WEIGHT OF CABLE(S).
 5. SEE SHEET 2 FOR DETAILS.
 6. ITEM #21, CORD CLIP, SHIPPED LOOSE FOR CUSTOMER INSTALLATION.
 7. BATTERIES TO BE ORDERED SEPARATELY.
 8. FREE CABLE ENDS MUST BE PROTECTED FROM SHORT, USE ITEM #15. MAKE EACH CAP PER BREAKER SELECTION. STARTING WITH NUMBER 1 FOR THE RIGHT MOST BREAKER LOOKING FROM FROM THE FRONT.

SYSTEM PART NUMBER 110.7050.02

BILL OF MATERIALS			
ITEM	QTY	PART NO.	DESCRIPTION
1	1	170.0501.00A	FA BATTERY RACK
2	1	111.3955.50	BATTERY DISCONNECT PANEL, AM1, 13 POSITION.
3	1	209.5501.10	GROUND RETURN BUS BAR
4	1	WIR02778	CABLE ASSY, #4 88" LG., 90° LUG
5	1	WIR02779	CABLE ASSY, #4 74" LG., 90° LUG
6	1	WIR02780	CABLE ASSY, #4 62" LG., 90° LUG
7	1	WIR02781	CABLE ASSY, #4 50" LG., 90° LUG
8	1	WIR02782	CABLE ASSY, #4 36" LG., 90° LUG
9	1	RA02492-86	CABLE ASSY, #4 86" LG., DBL HOLE LUG
10	1	RA02492-72	CABLE ASSY, #4 72" LG., DBL HOLE LUG
11	1	RA02492-58	CABLE ASSY, #4 58" LG., DBL HOLE LUG
12	1	RA02492-44	CABLE ASSY, #4 44" LG., DBL HOLE LUG
13	1	RA02492-30	CABLE ASSY, #4 30" LG., DBL HOLE LUG
14	8	PH02948	CLIP, SIDE SHIELD
15	10	RE03879	SHIPPING CAP, FOR #4 LUGS.
16	2	PH02931-11	SIDE SHIELD, FR PVC, 17.25" X 9.50"
18A	10	210.1292.00	BOLT, 3/8-16 X 1.00" S.S.
18B	20	212.2518.00	WASHER, FLAT 3/8" S.S.
18C	10	211.0506.01	NUT, HEX, "KEPS" 3/8"-16 S.S.
19	1	225.8530.00	LABELS: 1A-2K
20	5	RA02498-20.50	EDGE PROTECTOR, 20.50"
21	10	PH02932	CORD CLIP, .63". (SHIPPED LOOSE)
22	5	208.8500.50	BRACKET, BATTERY STABILIZATION
23	10	210.1281.00	BOLT, 1/4-20 X 3/4", HEX HEAD
24	20	212.2516.00	WASHER, 1/4, FLAT
25	10	211.0501.01	NUT, 1/4-20
26	1	WIR02783	CABLE ASSY, #4 98" LG., 90° LUG
27	1	WIR02784	CABLE ASSY, #4 84" LG., 90° LUG
28	1	WIR02785	CABLE ASSY, #4 72" LG., 90° LUG
29	1	WIR02786	CABLE ASSY, #4 60" LG., 90° LUG
30	1	WIR02787	CABLE ASSY, #4 46" LG., 90° LUG
31	1	RA02492-96	CABLE ASSY, #4 96" LG.
32	1	RA02492-82	CABLE ASSY, #4 82" LG., DBL HOLE LUG
33	1	RA02492-68	CABLE ASSY, #4 68" LG., DBL HOLE LUG
34	1	RA02492-54	CABLE ASSY, #4 54" LG., DBL HOLE LUG
35	1	RA02492-40	CABLE ASSY, #4 40" LG., DBL HOLE LUG
40	1	JN00193-1	LABEL: "POS", DBL HOLE LUG
41	1	JN00193-2	LABEL: "NEG"
42	12	215.6050.00	*CABLE TIE: 15" NYLON, BLACK
60	5	213.4250.10	PLASTIC DIVIDER
61	6	032.0002.01	SLEEVING
62	40	216.6020.00	TY-RAP

ISSUES

ISSUE #	DESCRIPTION	ISS. BY ISS. DATE	APP. BY APP. DATE
1	SEE ECN 16513 Original release of documentation.	KEL 09/12/08	CJM 9/26/08
2	SEE ECN 16644 Switch breaker locations from (left to right) to (right to left)	KEL 12/02/08	MCM 12/4/08
3	SEE ECN 16818	WD 5/13/09	MCM 5/14/09
4	SEE ECN 16891 & 16896	WD 6/25/09	MCM 6/29/09
5	SEE ECN 17292 INCORPORATED CHANGES TO ENSURE MAPICS & DWG BOMS MATCH.	WD 5/21/10	MCM 5/24/10
6	SEE ECN 17362 Chg'd item 60 in drawing BOM list from 213.4250.00 to 213.4250.10	WD 7/23/10	DBW 7/23/10

UNLESS OTHERWISE SPECIFIED DIMENSIONS ARE IN INCHES ± TOLERANCES ON:	APPROVALS		DATE
	HOLES ±0.004 -0.002	DRAWN K. E. LEWIS	
FRACTIONS ±1/32	CHECKED DBW		9/25/08
DECIMALS (XX) ±0.020	APPROVED CJM		9/26/08
DECIMALS (XXX) ±0.010	APPROVED		
ANGLES ±1/2°			

SQUARE CORNERS AND ANGLES ARE 90° UNLESS OTHERWISE SPECIFIED.

MATERIAL:

FINISH:

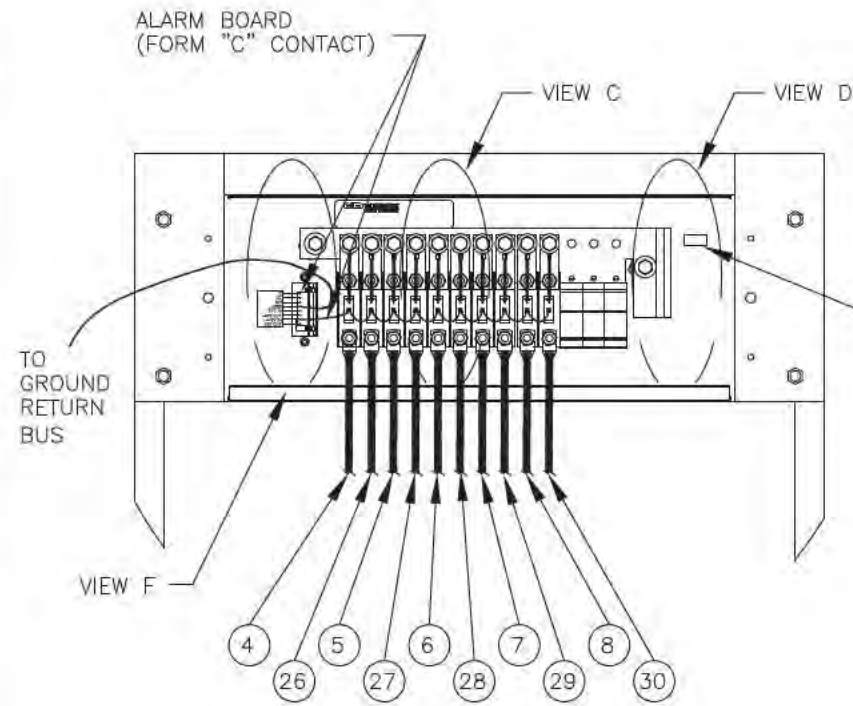
PROPRIETARY INFORMATION
NOT TO BE COPIED, USED OR DISCLOSED
WITHOUT PRIOR WRITTEN PERMISSION
FROM UNIPOWER LLC



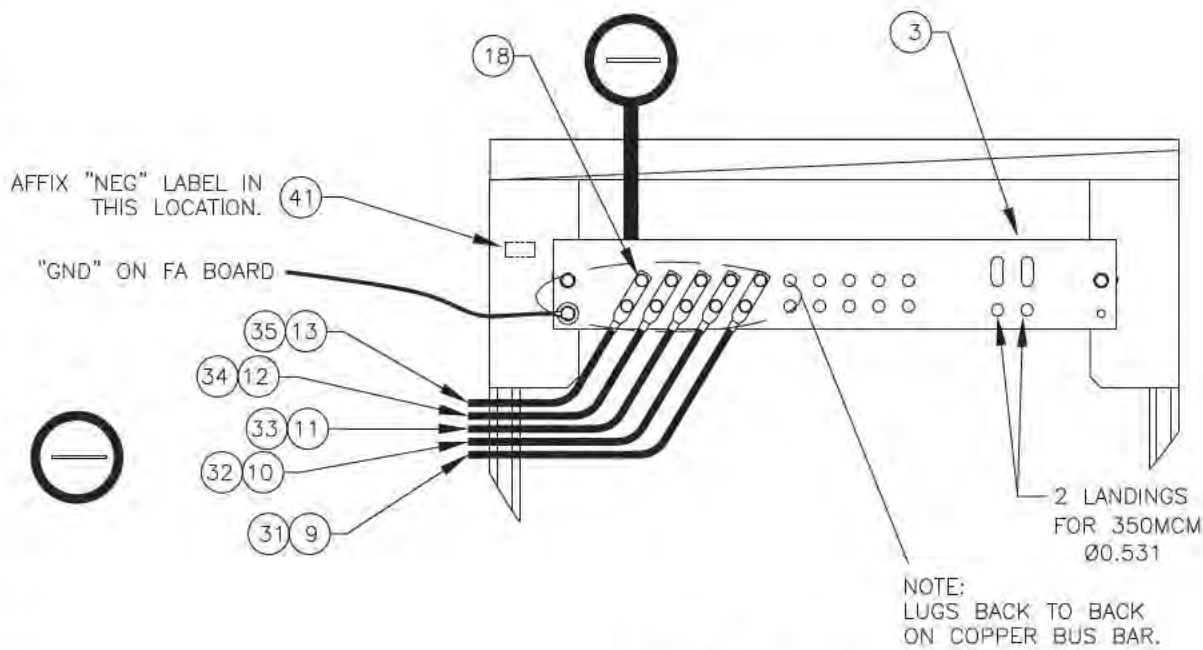
BATTERY SYSTEM,
+24VDC, BRBK PNL & RETURN BUS
5-TIER FA RACK (NEBS ZONE 2)

SIZE B	DOC TYPE / NUMBER J 110-7050-02	ISSUE 6
------------------	------------------------------------	------------

SCALE: NONE	SHEET: 1 OF 3	FILE NAME: J110-7050-02_ISS_6
----------------	------------------	----------------------------------

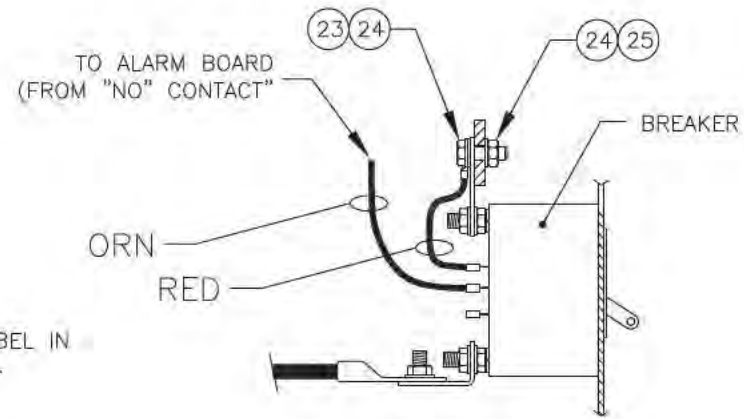


VIEW A - A
REAR VIEW

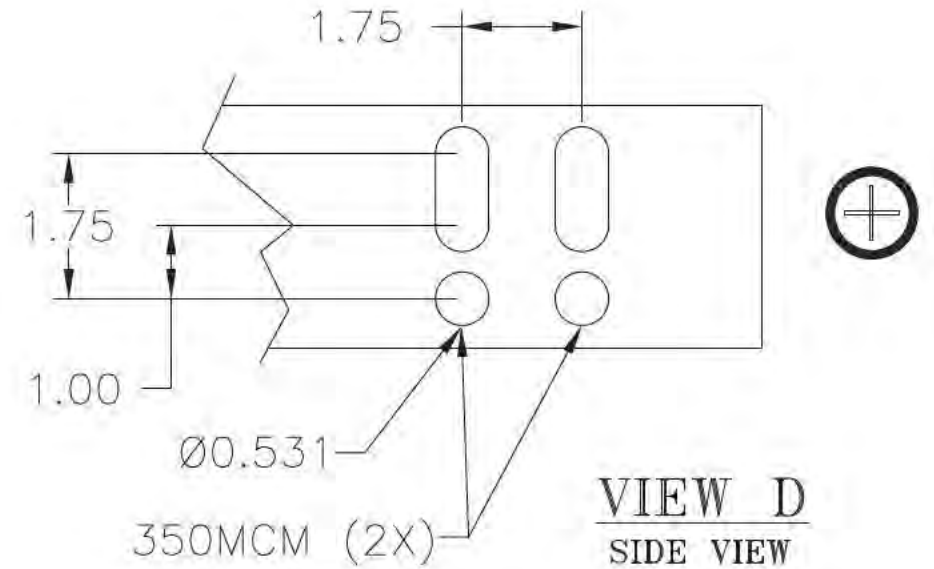


VIEW B - B

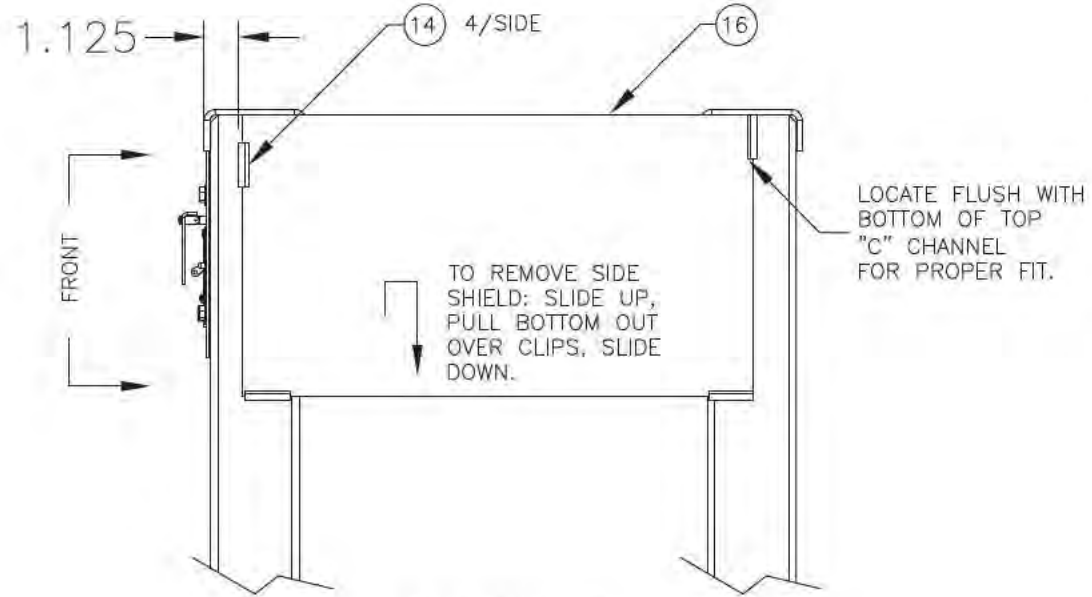
9 thru 13 mount to the Front of the bus.
31 thru 35 mount to the Rear of the bus.



VIEW C
SIDE VIEW

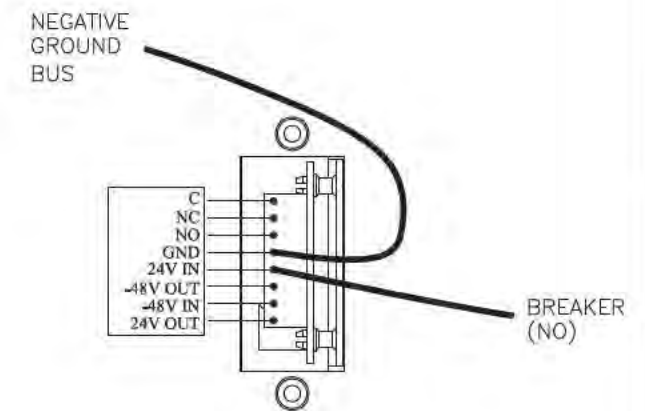


VIEW D
SIDE VIEW



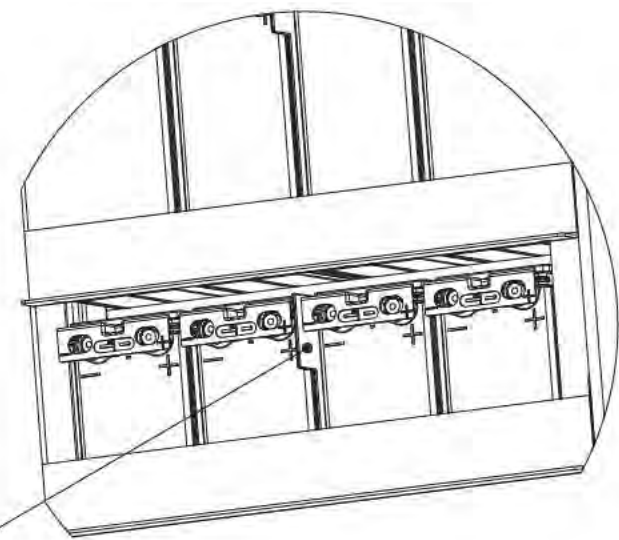
VIEW E
SIDE VIEW

NOTE:
TYPICAL INSTALLATION
OF PH02948, ON EACH
SIDE OF RACK.



VIEW F
REAR VIEW

PROPRIETARY INFORMATION NOT TO BE COPIED, USED OR DISCLOSED WITHOUT PRIOR WRITTEN PERMISSION FROM UNIPOWER LLC		
SIZE B	DOC TYPE / NUMBER J 110-7050-02	ISSUE 6
SCALE: NONE	SHEET: 2 OF 3	FILE NAME: J110-7050-02_ISS_6

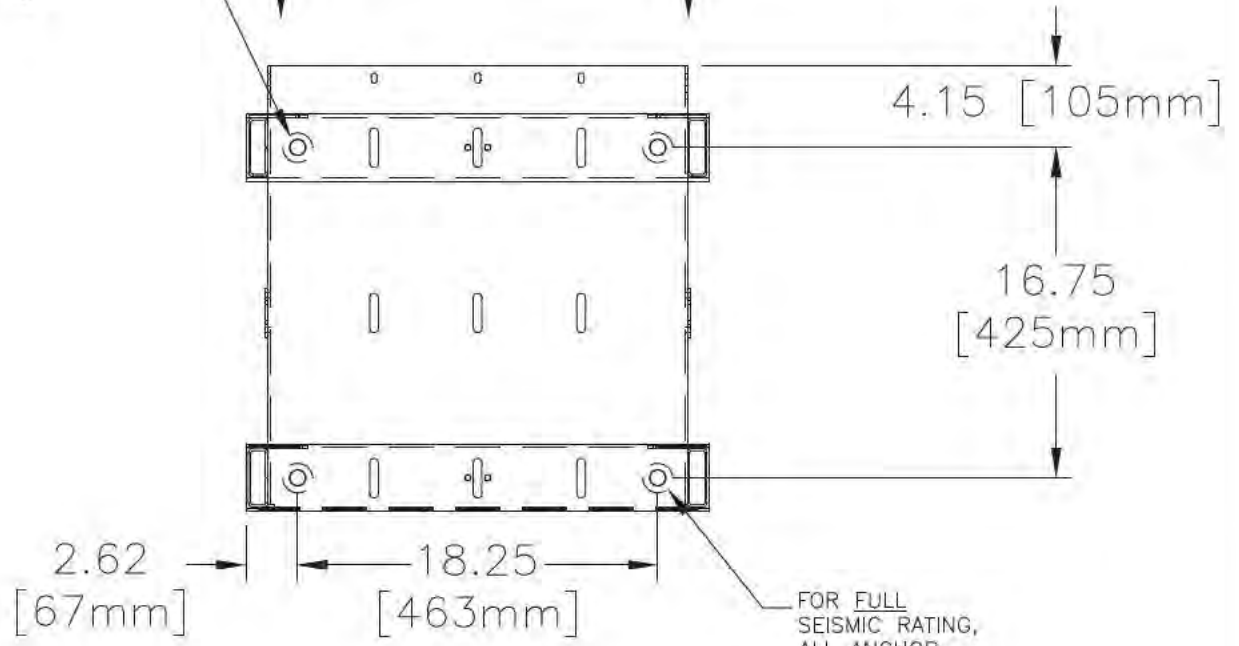


Place plastic divider, supplied with battery rack, between middle 2 batteries.

60

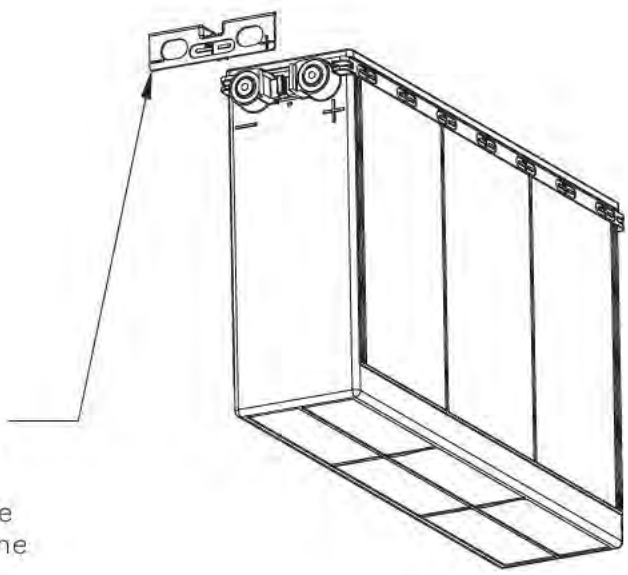
Ø0.813" (8X)
[21mm]

FRONT OF RACK

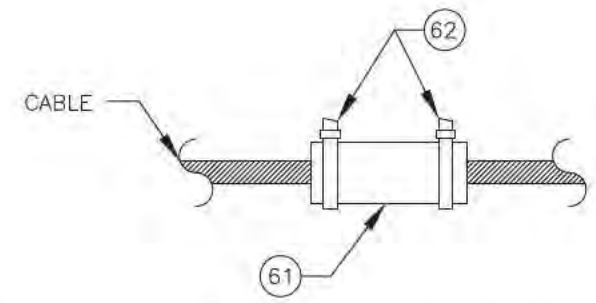


FOR FULL SEISMIC RATING, ALL ANCHOR BOLT LOCATIONS MUST BE USED.

BOTTOM VIEW
(RACK MOUNTING LOCATIONS)



Battery terminal covers must be removed to attach the battery straps. After the straps are attached, replace the covers.



ALL BATTERY CABLES THAT CROSS OVER ANY RACK EDGE IS INSULATED WITH ACRYLIGLASS "C" SLEEVING TO PREVENT ANY DAMAGE TO THE CABLE.

PROPRIETARY INFORMATION NOT TO BE COPIED, USED OR DISCLOSED WITHOUT PRIOR WRITTEN PERMISSION FROM UNIPOWER LLC		
SIZE B	DOC TYPE / NUMBER J 110-7050-02	ISSUE 6
SCALE: NONE	SHEET: 3 OF 3	FILE NAME: J110-7050-02_ISS_6