

SEE DETAIL "E", ON SHEET 2 FOR SIDE SHIELD INSTALLATION.

Add sleeving and ty-raps to all points where cables are secured to the battery rack. This will prevent cable from being damaged. (TYPICAL both sides)

Add sleeving and ty-raps to all points where "C" channel may come in contact with cable. This will prevent cable from being damaged. (TYPICAL both sides)

- NOTES:
1. ANCHORS NOT PROVIDED BY C&D.
 2. RECOMMENDED ANCHOR SIZE IS HILTI, HSL M12/25 OR EQUIVALENT
 3. ESTIMATED RACK ASSEMBLY WEIGHT, 300LBS. ESTIMATED FULL SYSTEM WEIGHT, 3000LBS.
 4. POSITIVE AND NEGATIVE BUS ARE NOT DESIGNED TO SUPPORT WEIGHT OF CABLE(S).
 5. SEE SHEET 2 FOR DETAILS.
 6. ITEM #21, CORD CLIP, SHIPPED LOOSE FOR CUSTOMER INSTALLATION.
 7. BATTERIES TO BE ORDERED SEPARATELY.
 8. FREE CABLE ENDS MUST BE PROTECTED FROM SHORT, USE ITEM #15. MAKE EACH CAP PER BREAKER SELECTION. STARTING WITH NUMBER 1 FOR THE RIGHT MOST BREAKER LOOKING FROM FROM THE FRONT.

SYSTEM PART NUMBER **110.7050.06**

BILL OF MATERIALS			
ITEM	QTY	PART NO.	DESCRIPTION
1	1	170.0501.00A	FA BATTERY RACK
2	1	111.3950.50	BATTERY DISCONNECT PANEL, AM1, 5 POSITION.
3	1	209.5501.10	GROUND RETURN BUS BAR
4	1	WIRO2788	CABLE ASSY, #4 94" LG.
5	1	WIRO2789	CABLE ASSY, #4 80" LG.
6	1	WIRO2790	CABLE ASSY, #4 68" LG.
7	1	WIRO2791	CABLE ASSY, #4 56" LG.
8	1	WIRO2792	CABLE ASSY, #4 42" LG.
9	1	WIRO2793	CABLE ASSY, #4 92" LG.
10	1	WIRO2794	CABLE ASSY, #4 78" LG.
11	1	WIRO2795	CABLE ASSY, #4 64" LG.
12	1	WIRO2796	CABLE ASSY, #4 50" LG.
13	1	WIRO2797	CABLE ASSY, #4 36" LG.
14	8	PHO2948	CLIP, SIDE SHIELD
15	10	REO3879	SHIPPING CAP, FOR #4 LUGS.(NOT SHOWN)
16	2	PHO2931-11	SIDE SHIELD, FR PVC, 17.25" X 9.50"
18A	10	210.1292.00	BOLT, 3/8-16 X 1.00" S.S.
18B	20	212.2518.00	WASHER, FLAT 3/8" S.S.
18C	10	211.0506.01	NUT, HEX, "KEPS" 3/8"-16 S.S.
19	1	225.8531.00	LABELS: 1A-4E
20	5	RAO2498-20.50	EDGE PROTECTOR, 20.50"
21	10	PHO2932	CORD CLIP, .63" (SHIPPED LOOSE)
26	12	216.6050.00	CABLE TIE, 15" NYLON, BLACK
40	1	JN00193-1	LABEL: "POS"
41	1	JN00193-2	LABEL: "NEG"
61	6'	032.0002.01	SLEEVING
62	40	216.6020.00	TY-RAP
63	5	208.8500.50A	BRACKET,BATT RACK

ISSUES

ISSUE #	DESCRIPTION	ISS. BY ISS. DATE	APP. BY APP. DATE
1	SEE ECN 16513 Original release of documentation.	KEL 09/12/08	CJM 9/26/08
2	SEE ECN 16644 Switch breaker locations from (left to right) to (right to left)	KEL 12/02/08	MCM 12/4/08
3	SEE ECN 16790 MADE CORRECTIONS TO BOM AND DRAWING.	WD 4/14/09	MCM 4/15/09
4	SEE ECN 16798 MADE CORRECTIONS TO BOM AND DRAWING.	WD 4/22/09	MCM 4/22/09
5	SEE ECN 16821	WD 5/14/09	MCM 5/18/09

UNLESS OTHERWISE SPECIFIED DIMENSIONS ARE IN INCHES ± TOLERANCES ON:		APPROVALS	DATE
HOLES	+0.004 -0.002	DRAWN K. E. LEWIS	09/12/08
FRACTIONS	±1/32	CHECKED DBW	9/25/08
DECIMALS (XX)	±0.020	APPROVED CJM	9/26/08
DECIMALS (XXX)	±0.010	APPROVED	
ANGLES	±1/2°		

SQUARE CORNERS AND ANGLES ARE 90° UNLESS OTHERWISE SPECIFIED.

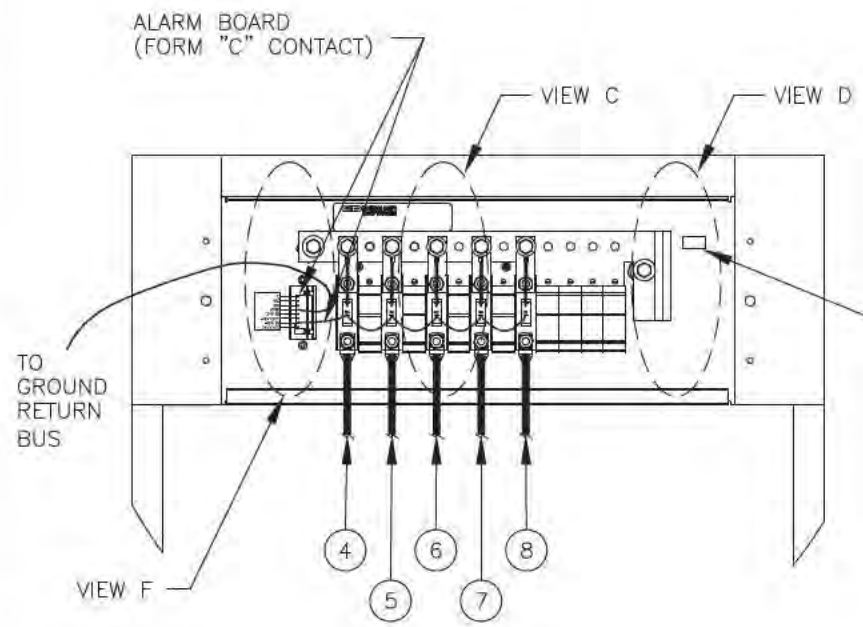
MATERIAL:

FINISH:

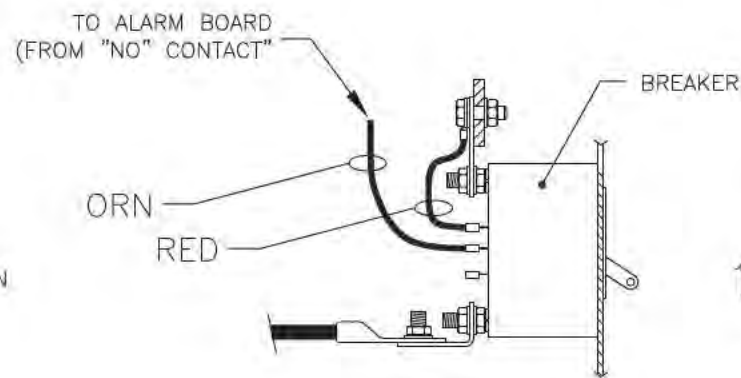
PROPRIETARY INFORMATION
NOT TO BE COPIED, USED OR DISCLOSED
WITHOUT PRIOR WRITTEN PERMISSION
FROM UNIPOWER LLC

BATTERY SYSTEM,
-48VDC, BRBK PNL & RETURN BUS
5-TIER FA RACK (NEBS ZONE 2)

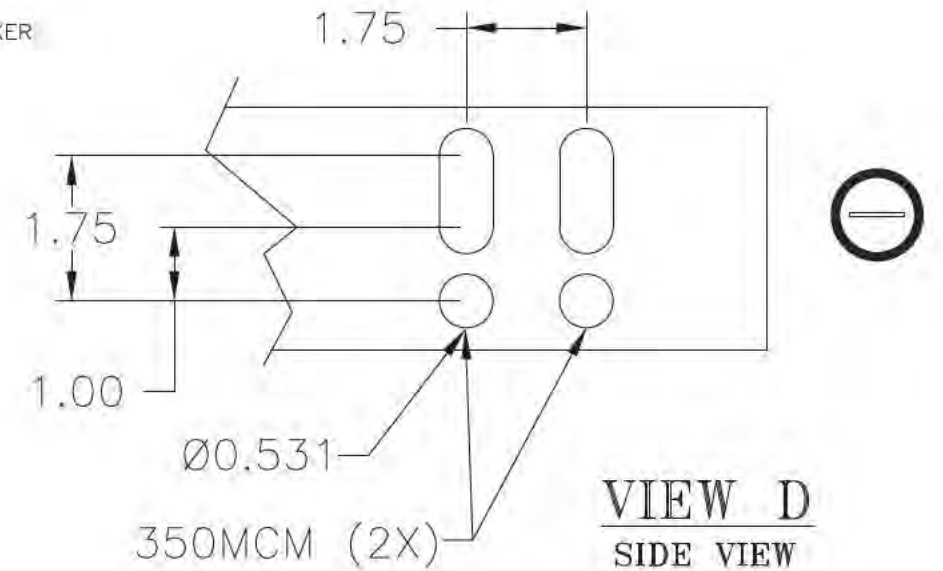
SIZE B	DOC TYPE / NUMBER J 110-7050-06	ISSUE 5
SCALE: NONE	SHEET: 1 OF 3	FILE NAME: J110-7050-06_ISS_5



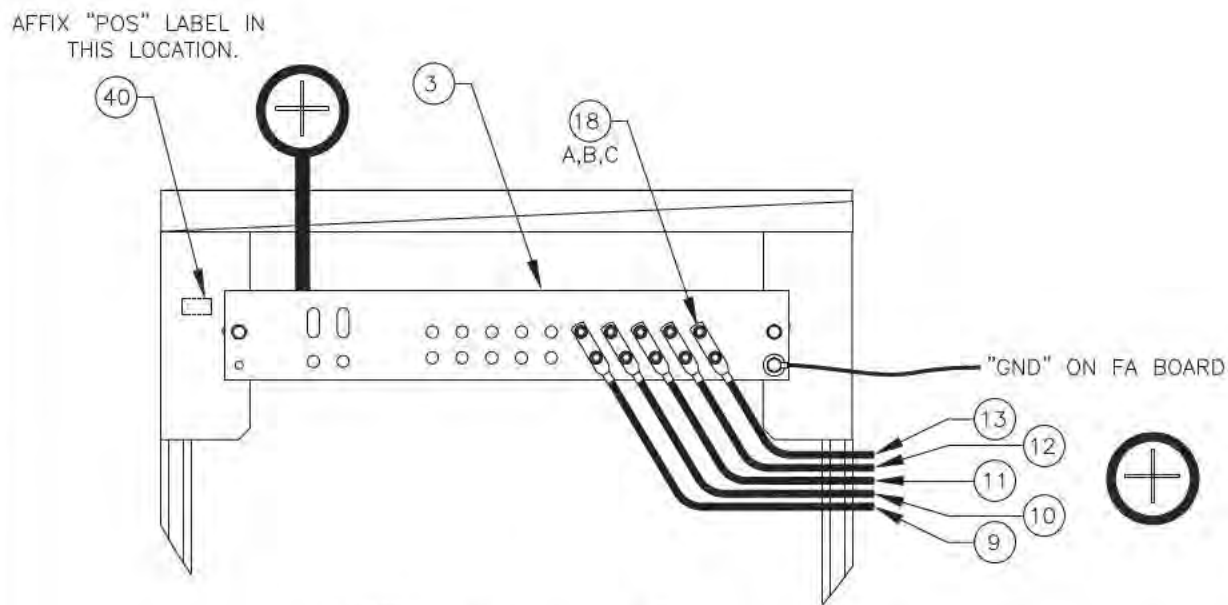
VIEW A - A
REAR VIEW



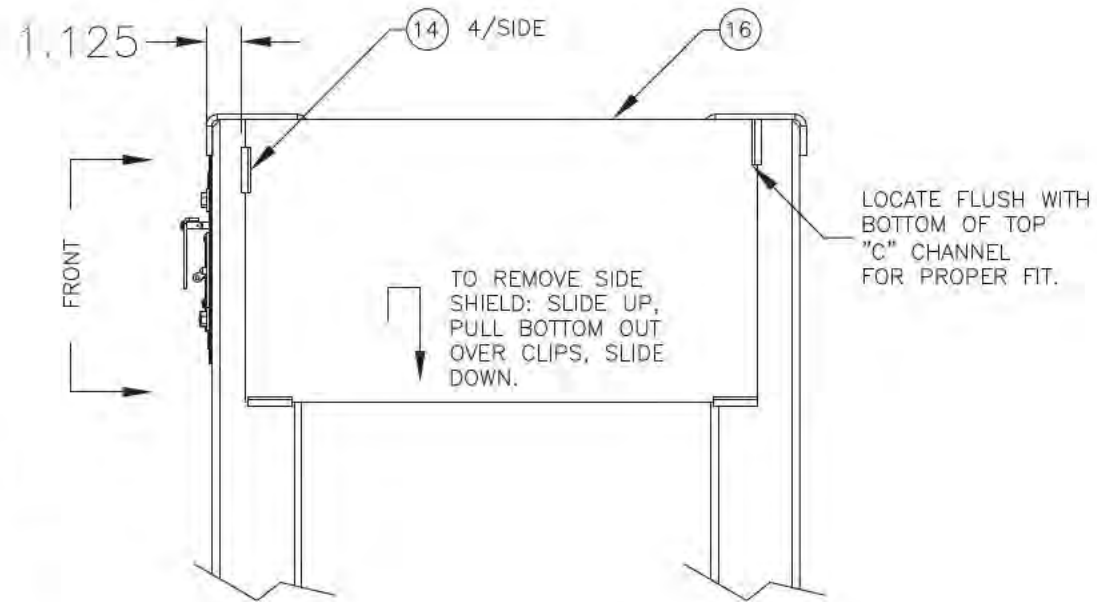
VIEW C
SIDE VIEW



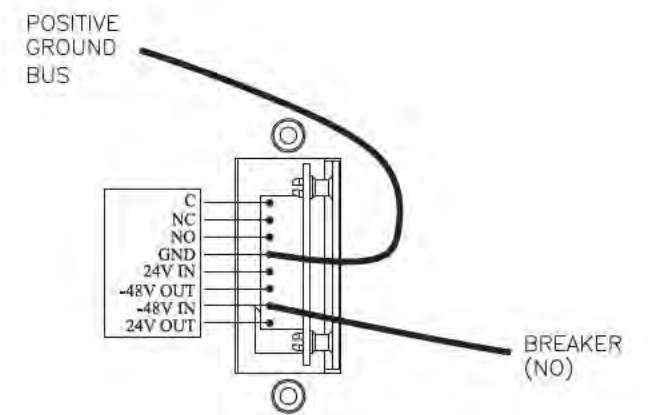
VIEW D
SIDE VIEW



VIEW B - B



VIEW E
SIDE VIEW

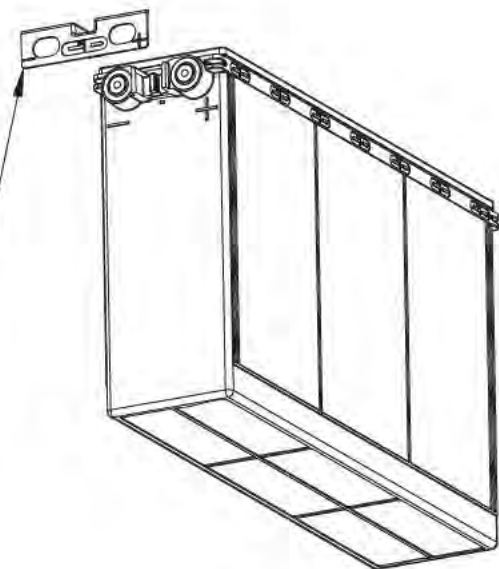


VIEW F
REAR VIEW

NOTE:
TYPICAL INSTALLATION
OF PH02948, ON EACH
SIDE OF RACK.

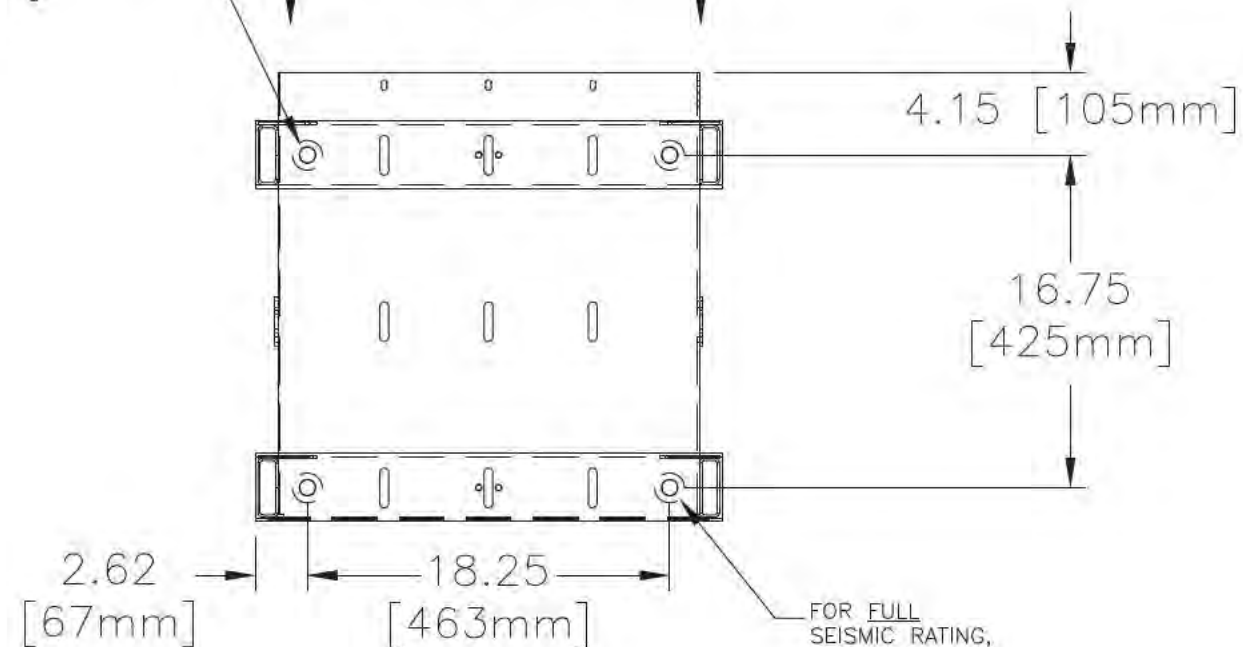
PROPRIETARY INFORMATION NOT TO BE COPIED, USED OR DISCLOSED WITHOUT PRIOR WRITTEN PERMISSION FROM UNIPOWER LLC		
SIZE B	DOC TYPE / NUMBER J 110-7050-06	ISSUE 5
SCALE: NONE	SHEET: 2 OF 3	FILE NAME: J110-7050-06_ISS_5

Battery terminal covers must be removed to attach the battery straps. After the straps are attached, replace the covers.



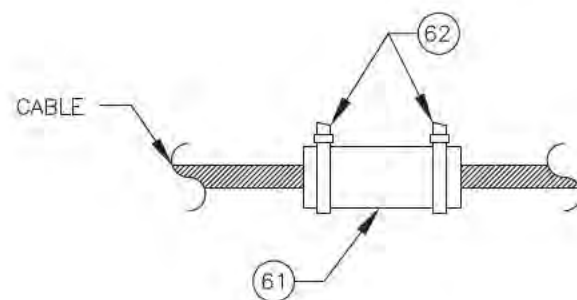
Ø0.813" (8X)
[21mm]

FRONT OF RACK



FOR FULL SEISMIC RATING, ALL ANCHOR BOLT LOCATIONS MUST BE USED.

BOTTOM VIEW
(RACK MOUNTING LOCATIONS)



ALL BATTERY CABLES THAT CROSS OVER ANY RACK EDGE IS INSULATED WITH ACRYLIGLASS "C" SLEEVING TO PREVENT ANY DAMAGE TO THE CABLE.

PROPRIETARY INFORMATION NOT TO BE COPIED, USED OR DISCLOSED WITHOUT PRIOR WRITTEN PERMISSION FROM UNIPOWER LLC		
SIZE B	DOC TYPE / NUMBER J 110-7050-06	ISSUE 5
SCALE: NONE	SHEET: 3 OF 3	FILE NAME: J110-7050-06_ISS_5