

ERX, ERC SERIES

10kW High Voltage Power Supply



Description

The ERX-10kV, 3.3-15 kW standard ebeam power supplies are switch-mode units incorporating the latest in high frequency, high power switching technology. Each power level of this 10 kV family of power supplies is neatly packaged in a single rack-mountable chassis with approximate dimensions of 10 1/2" H x 19" W (max) x 22" Deep. These robust power supplies were designed to use modularity for ease of field maintenance.

Features

- Highly Frequency IGBT Switching Technology
- Arc Management Options
- Air Cooled Chassis
- Air Insulated High Voltage Section
- Low Stored Energy
- Light Weight
- Instrumented Front Panel
- Remote Controlled Operation
- CE Approved Design

Operation of the power supplies can be accomplished locally via the front panel controls or remotely via the rear panel control connector J4. Three additional jacks (J5A, J5B and J5c) are provided for interface to external source modules. J-4 is a 25 Pin D connector while each of the J-5 connectors is a 9Pin D type.

Certain commands or signal are operative in both modes. For example, the local HV OFF/RESET pushbutton switch is operative in both local and remote modes.

UVC's arc management options are designed with the challenges of Thin Film Deposition in mind. Our solid-state ebeam power supplies can be configured for rapid arc detection with typical shutdown in <25us. Arc quenching mode with recovery time as fast as 5ms, or arc counting where excessive arcing results in latched fault to allow the HVPS to ride through expected process arcs, but maintain the ability to react to unexpected

transient conditions.

It should be noted any of the models in the standard 6-10-15kW series could be customized to suite an end-user's unique specifications. Typical options are:

- Customized Control Panels
- Filament Power Supplies
- One and two gun Filament Modules
- Specialized Metering
- Bias Supplies
- Auxiliary Gun Conversion Kits

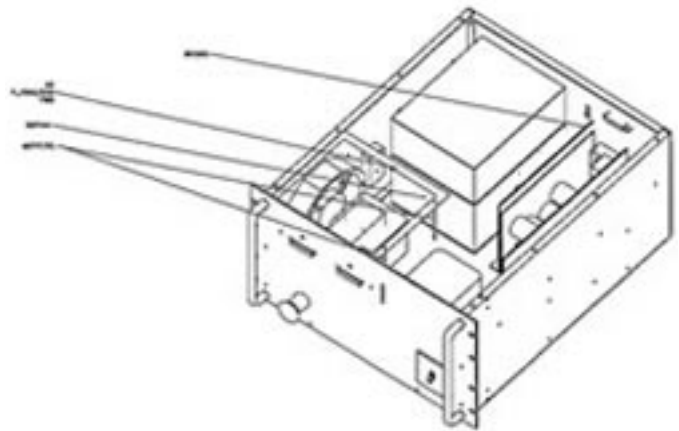
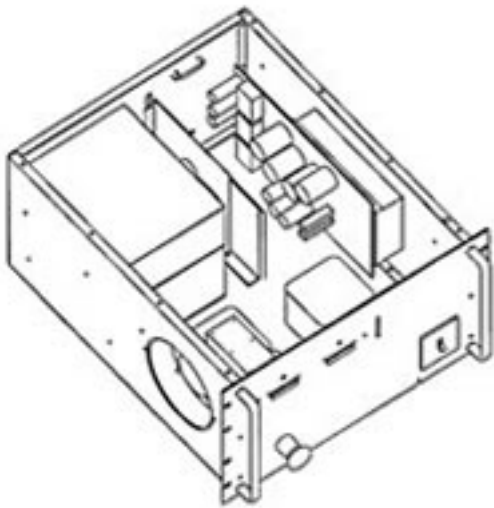
Electrical Specifications

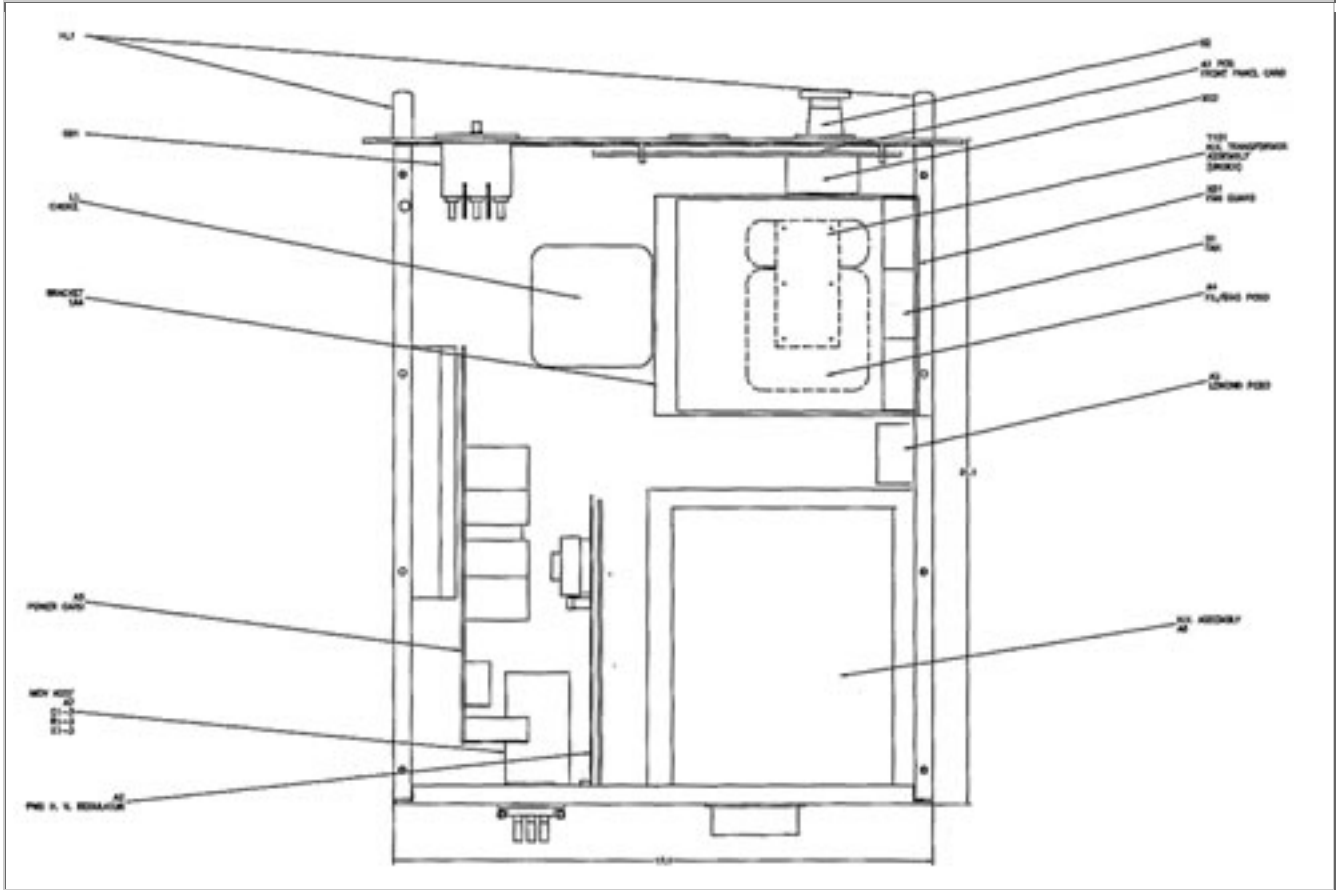
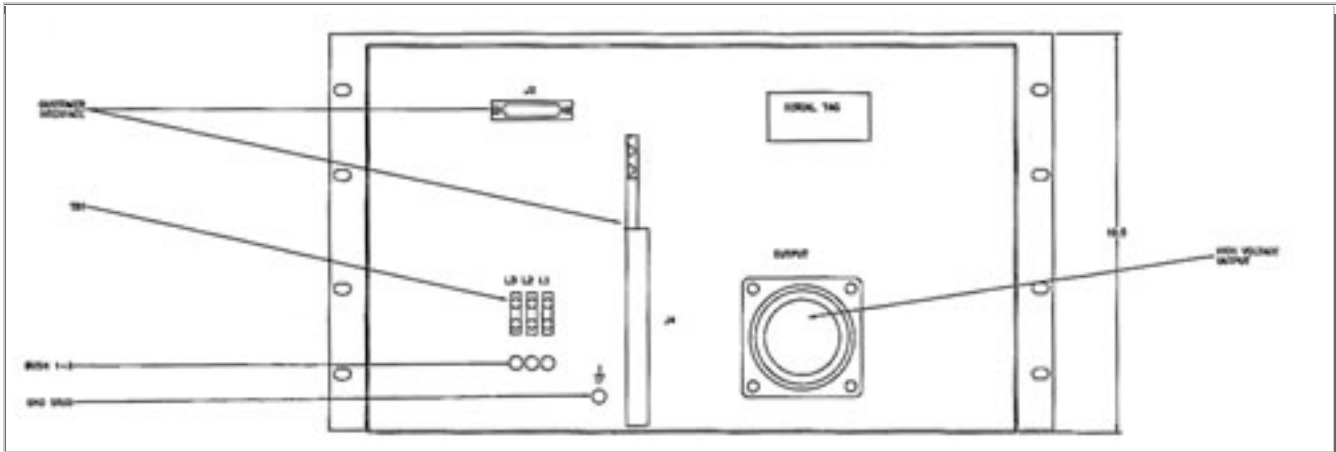
Input	
Voltage	208VAC \pm 10% 3 \emptyset
Frequency	50/60Hz
Current	37 Amps
Output - High Voltage	
Voltage	0-10kV DC, negative polarity
Current	0-1000 mA DC
Regulation	\pm 0.1% (\pm 10V)
Ripple	0.05% rms (50V rms) maximum
Power	10 kW max

Mechanical Specifications

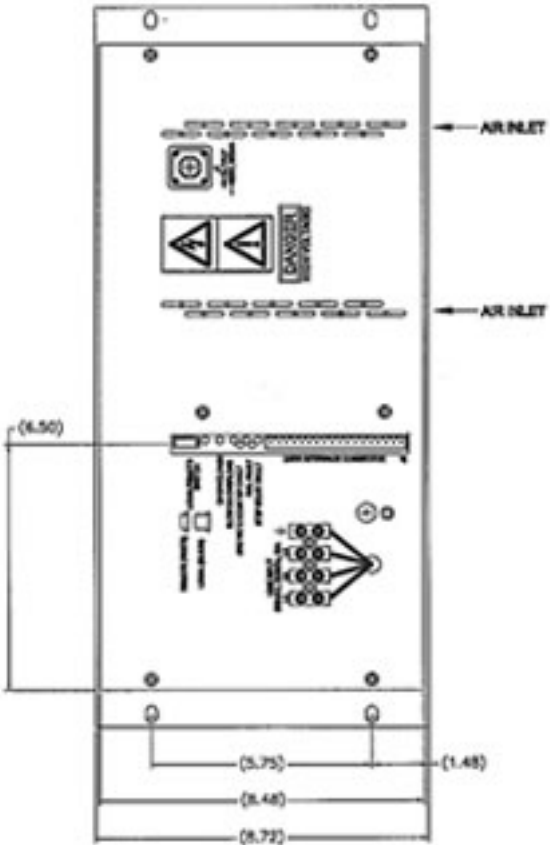
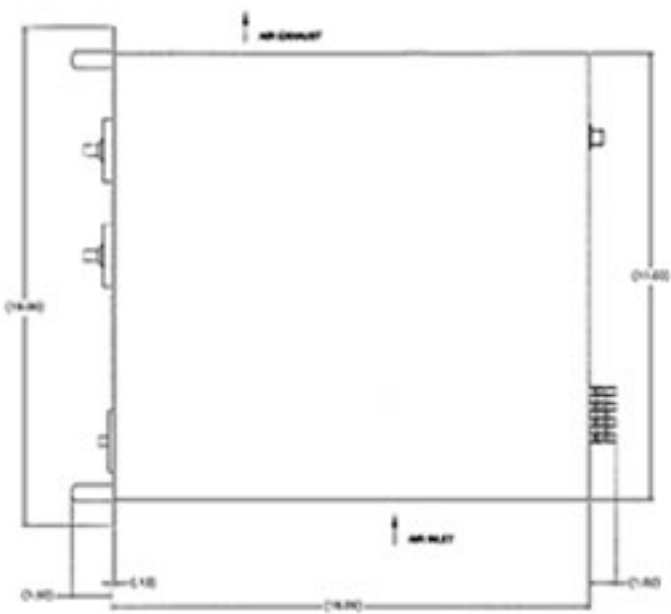
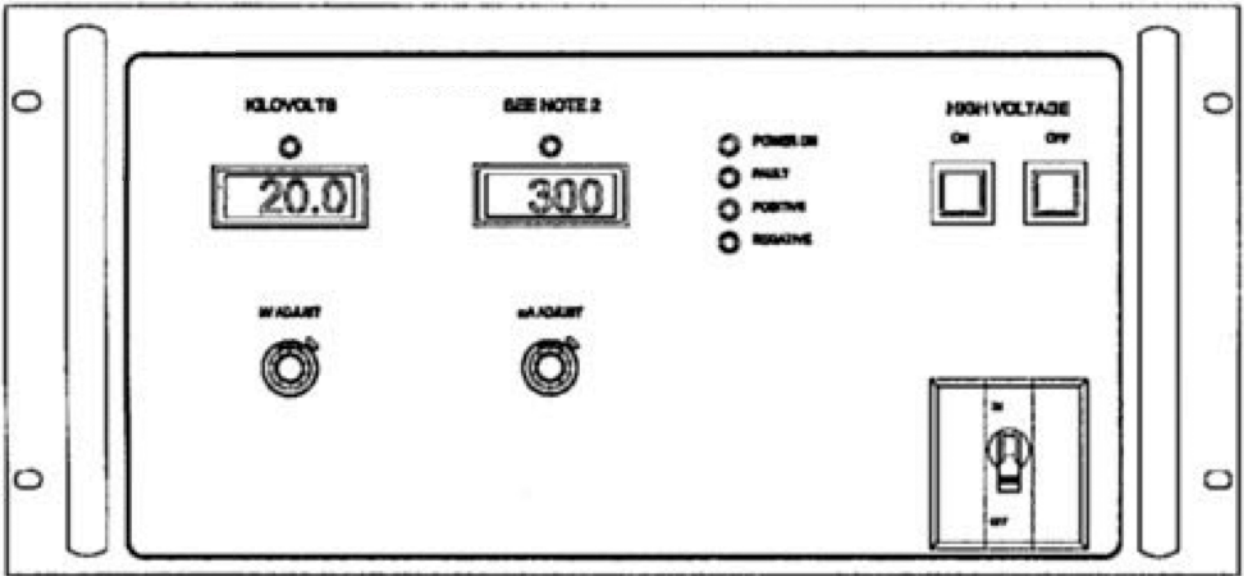
Chassis Dimensions	
Panel	19" W x 10 1/2" H
Chassis	22" Deep
Weight	20.52kG, 55Lbs.
Input Connection	Power Cable, Phase orientation not critical
Output Connection	Coaxial cable with the shield grounded
Indoor Use	
Altitude	7500 Ft. Max
Humidity	Non-Condensing
Temperature	40° C Max Ambient
Transient Voltage	Category II
Pollution Degree @	In accordance with IEC 664

6000 Watt – ERX





10kw - ERC



Pin Out

Control – “Local”	
Main Circuit Breaker	
HV – ON	Push Button
HV – OFF	Push Button
Voltage Set	Potentiometer
Indicators	Power On
	Remote Mode
	Interlock Open
	Arc
	Over-current
	Fault
	Ready for High Voltage
	High Voltage On
Meters	3.5 Digit LCD Type
	Voltage “10.00” kV
	Current “1000” mA
Control - "Remote"	
“25 Pin D” Connector	Power Supply to Remote
	24V DC Fused Output
	HV – On Response
	Fault Response
KV Monitor	0-10V = 1-10KV
MA Monitor	0-10V = 0-Full Scale
Remote to Power Supply	24V Remote Command
	24V on Command
Source A	9 Pin “D” Connector
	Interlock: Contact Closure Required
	HV “ON” Response
Source B	9 Pin “D” Connector
	Interlock: Contact Closure Required

	HV "ON" Response
Source C	9 Pin "D" Connector
	Interlock: Contact Closure Required
	HV "ON" Response