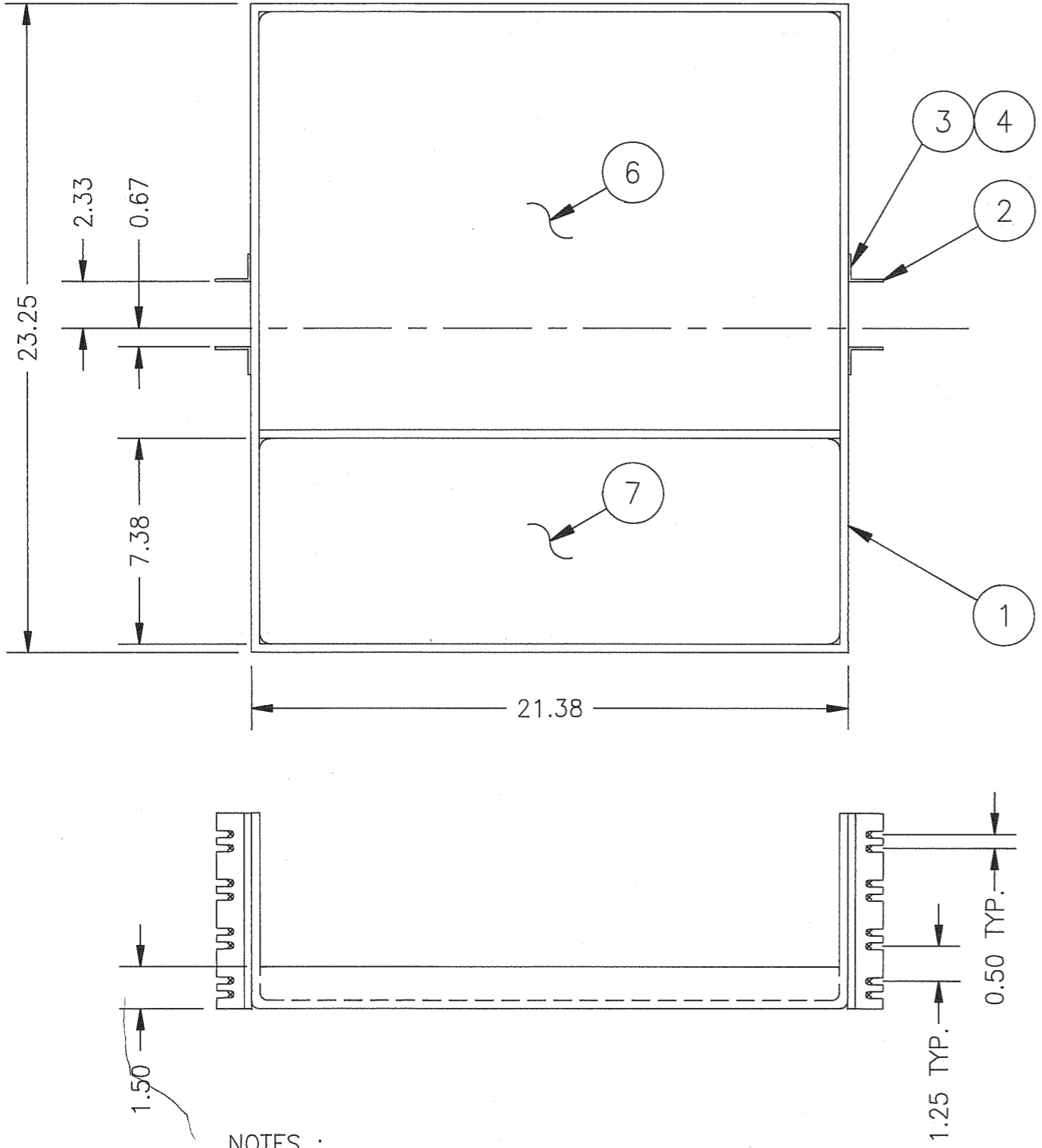
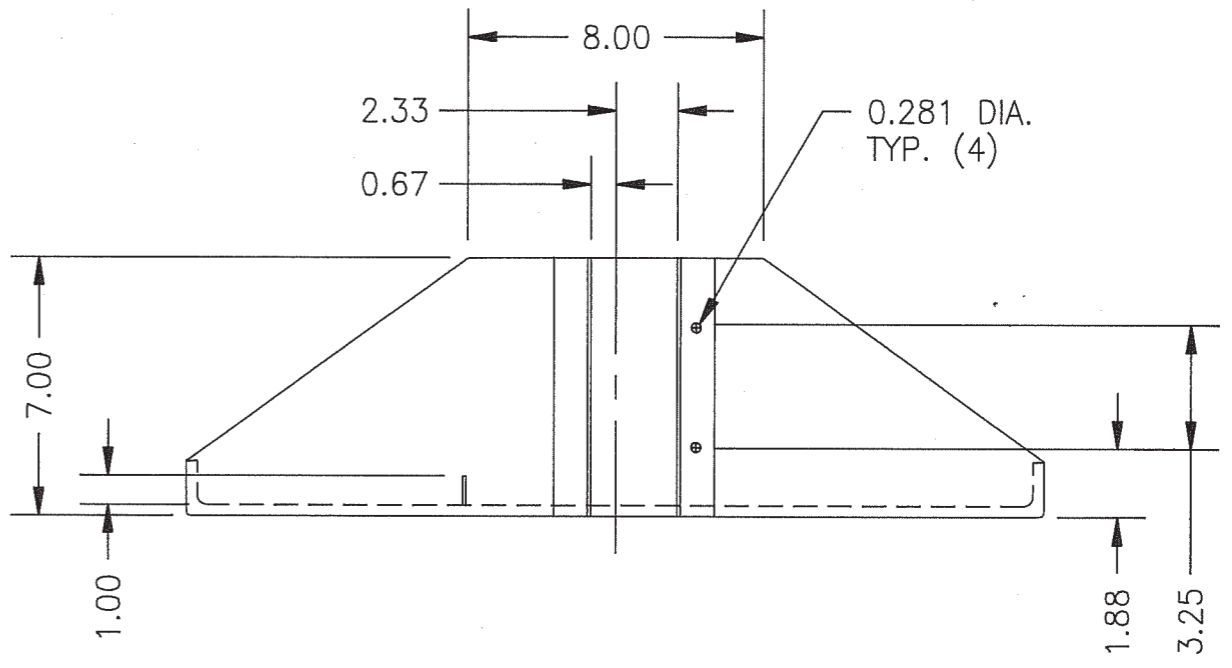


NOTICE: THIS PRINT AND THE INFORMATION SHOWN THEREON IS THE PROPERTY OF CHARTER POWER SYSTEMS INC. AND IS BEING FURNISHED AS A CONFIDENTIAL DISCLOSURE. IT MAY NOT BE DELIVERD TO OTHERS NOR REPRODUCED FOR GENERAL CIRCULATION WITHOUT THE WRITTEN APPROVAL OF CHARTER POWER SYSTEMS, INC.

REVISIONS				
ZONE	REV. LEV	DESCRIPTION	DATE	APPROVED
	8	REV'D OVERALL WIDTH FROM 21.19" TO 21.38". ECN# 5826	6/23/94	D Heimer



BILL OF MATERIAL - KBC-5182			
ITEM	QTY.	PART NO.	DESCRIPTION
1	1	RD-1351	TRAY, ASS'Y 7.00" (H) x 21.38" (W) x 23.25" (L)
2	2	RD-1397	ANGLE, SUPPORT 1.00" x 1.00" x 7.00" x .09" THK.
3	4	JH-114	.25-20 x .75" RH MACHINE SCREW
4	4	JH-1245	.25-20 NUT (WHIZ LOCK)
5	8	JH-1420	12-24 x .50" SELF TAPPING SCREW
6	1	RA-2166	LINER, RUBBER 21.00" x 15.63" x .12" THK.
7	1	RA-2167	LINER, RUBBER 21.00" x 7.19" x .12" THK.



NOTES :

1. SUPPORT ANGLES INCORPORATE STANDARD FRAME MOUNTING PATTERN.
2. ITEM #2 IS BOLTED TO TRAY WITH ITEMS #3 & #4.
3. ITEM #5 IS FOR MOUNTING TRAY TO RELAY RACK (2 PER ANGLE).

UNLESS OTHERWISE SPECIFIED DIMENSIONS ARE IN INCHES		DRAWN D. HEIMER	DATE 09-24-90
± TOLERANCES ON:		CHECKED R. YODER	09-27-90
DECIMALS	ANGLES	APPROVED F. WAGNER	09-27-90
X	XX	ISSUED	
XXX			
MATERIAL: 13 GA. STEEL COATED PER C&D SPEC. C-1.			

UNIPOWER
POWERING TECHNOLOGY

BATTERY TRAY 23" RELAY
RACK MOUNT, 4 LG. LS

SIZE **B** CODE IDENT. NO. **KBC-5182**

SCALE NTS REV. LEVEL 8 SHEET 1 OF 1