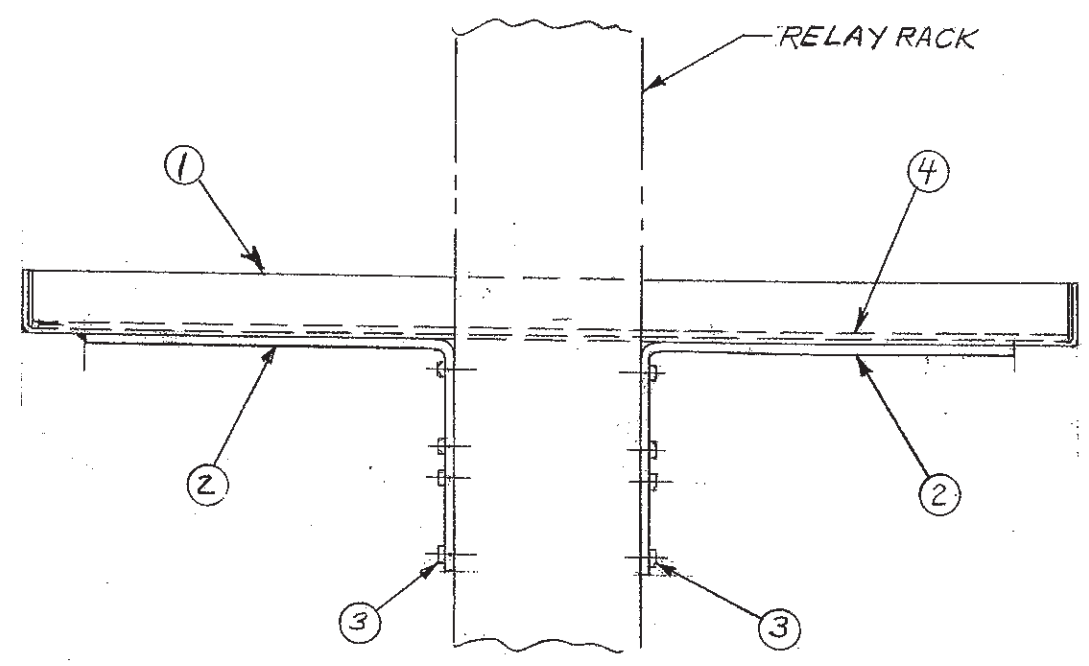


REVISIONS				
ZONE	NO.	DESCRIPTION	DATE	APPROVED



TRAY DIMENSIONS		
CATALOG NO.	INSIDE WIDTH	INSIDE DEPTH
19-4372	16.75"	20.25"
23-4372	20.25"	16.75"

ITEM	DESCRIPTION
4	PAD, RUBBER 1/8 x 16.5 x 20 (RA-166)
3	#12-24 M.S.
2	ANGLE
1	TRAY-WELDMENT
0	ASSEMBLY DRAWING

PRINT COPIES	
ESHBACH	PIKEVILLE
INSP. <input checked="" type="checkbox"/>	INSP. <input type="checkbox"/>
PROD. <input checked="" type="checkbox"/>	PROD. <input type="checkbox"/>
E. BRENN. <input type="checkbox"/>	PIKAL <input type="checkbox"/>
INSP. <input type="checkbox"/>	OTHER <input type="checkbox"/>
DRONEAP <input type="checkbox"/>	COMP <input checked="" type="checkbox"/>
INSP. <input type="checkbox"/>	<input type="checkbox"/>
PROD. <input type="checkbox"/>	<input type="checkbox"/>

UNLESS OTHERWISE SPECIFIED DIMENSIONS ARE IN INCHES TOLERANCES ON FRACTIONS DECIMALS ANGLES 1/64 .005 1/2°	DRAWN	BS	DATE	6/29/82
	CHECKED	RSB	DATE	6/30/82
	APPROVED	[Signature]	DATE	6/30/82
	APPROVED			
MATERIAL:				
APPROVED				
APPROVED				

**UNIPOWER**  
POWERING TECHNOLOGY

BATTERY TRAY - INSTALLATION  
19 OR 23" R.R. MOUNTING

SIZE	CODE IDENT NO.	MBC-4372
C	80331	
SCALE	REV. NO.	SHEET 1 OF 1
1/2		