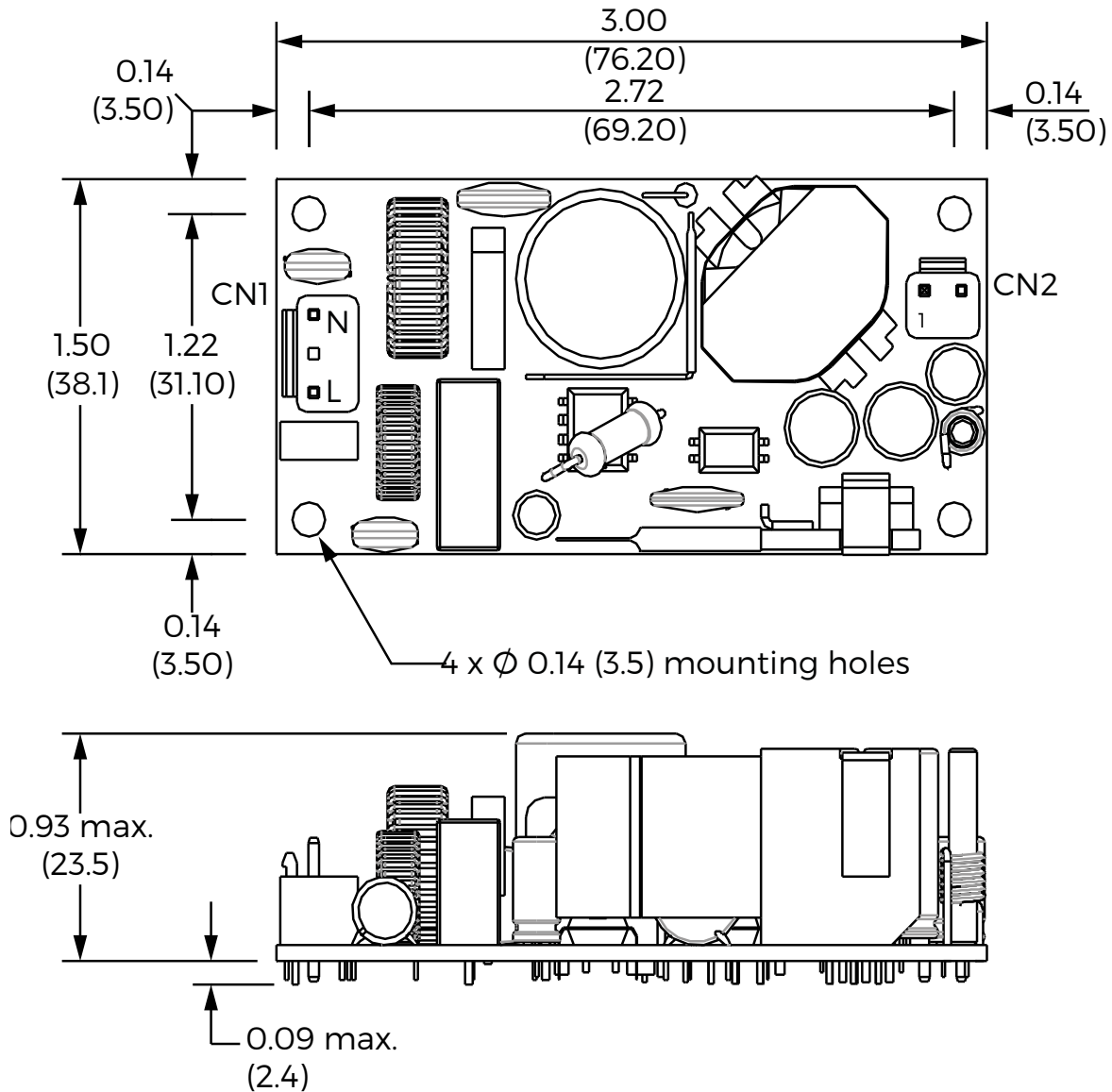


MECHANICAL SPECIFICATIONS & CONNECTION DETAILS



ALL DIMENSIONS IN INCHES (mm).

CONNECTOR PINOUTS	
CN1	See outline drawing
CN2	Pin 1: Output -Ve Pin 2: Output +Ve

MATING CONNECTORS	
CN1	Housing: Molex 09-76-1020 or equivalent Pins (2): Molex 08-70-0012 or equivalent
CN2	Housing: Molex 09-52-4044 or equivalent Pins (2): Molex 08-70-0012 or equivalent

A kit containing one each housing and indicated number of pins is supplied with each unit as standard.