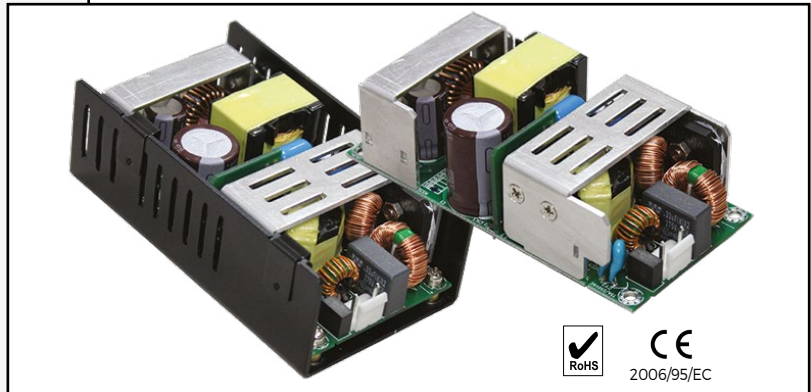


FEATURES

- ◆ 150 Watts in 2" x 4" Footprint
- ◆ Universal AC Input
- ◆ Open PCB & U-Channel Formats
- ◆ Outputs from 12VDC to 48VDC
- ◆ Efficiency Level V
- ◆ Class B EMI Filter



TWO YEAR WARRANTY

SAFETY CERTIFICATIONS

UL60950-1 2nd Edition
 CSA22.2, No. 60950-1 2nd Edition
 EN60950-1 2nd Edition

STANDARD MODELS

Model Number ¹	Output Voltage	Output Current ²		Maximum Power	Total Regulation	Ripple & Noise (Vp-p)
RB-150P-S12	12V	12.50A	8.33A	150W	±3%	150mV
RB-150P-S15	15V	10.00A	6.66A	150W	±3%	150mV
RB-150P-S19	19V	7.89A	5.26A	150W	±3%	190mV
RB-150P-S24	24V	6.25A	4.15A	150W	±3%	240mV
RB-150P-S28	28V	5.35A	3.57A	150W	±2%	300mV
RB-150P-S48	48V	3.12A	2.07A	150W	±2%	300mV

NOTES:

1. For U-Channel suffix -U to the model number.
2. First figure is maximum output current with 12cfm forced cooling at up to 50°C. Second figure is maximum output current with convection cooling at up to 40°C.

SPECIFICATIONS

Typical at Nominal Line, Full Load and 25°C Unless Otherwise Noted. Subject to change without notice.

INPUT SPECIFICATIONS

Input Operating Range90-264VAC
 Power Factor, full load>0.9 @ 115/230VAC
 Input Frequency..... 47-63Hz
 Input Current, RMS<2.5A @115VAC, <1.25A @ 230VAC
 Inrush Current, cold start @ 25°C<45A Peak @ 115VAC
 <90A Peak @ 230VAC
 Input EMI Filter.....EN55022 Curve B, FCC20780 pt. 15J Curve B
 Input ProtectionInternal Fuse

OUTPUT SPECIFICATIONS

Total Output Power, Continuous, Max150 Watts
 Total Regulation¹ see model table
 Ripple & Noise, Pk-Pk² see model table
 Holdup Time, full load @ 115VAC.....>10mS
 Dynamic Response³300µS
 Temperature Coefficient.....±0.04%/°C
 Minimum Load.....0A
 Overload Protection105-160% Full Load, Auto Recovery
 Overvoltage Protection.....Shutdown, latch off
 Short Circuit Protection.....Auto Recovery

GENERAL SPECIFICATIONS

Efficiency.....>87% typical at Full Load, 115VAC
 MTBF.....100,000 Hours
 Immunity.....EN61000-4-2, 3, 4, 5, 6, 8, 11
 Safety Standards.....UL60950-1 2nd Ed., CSA22.2 No.60950-1 2nd Ed., EN60950-1 2nd Ed.

ENVIRONMENTAL SPECIFICATIONS

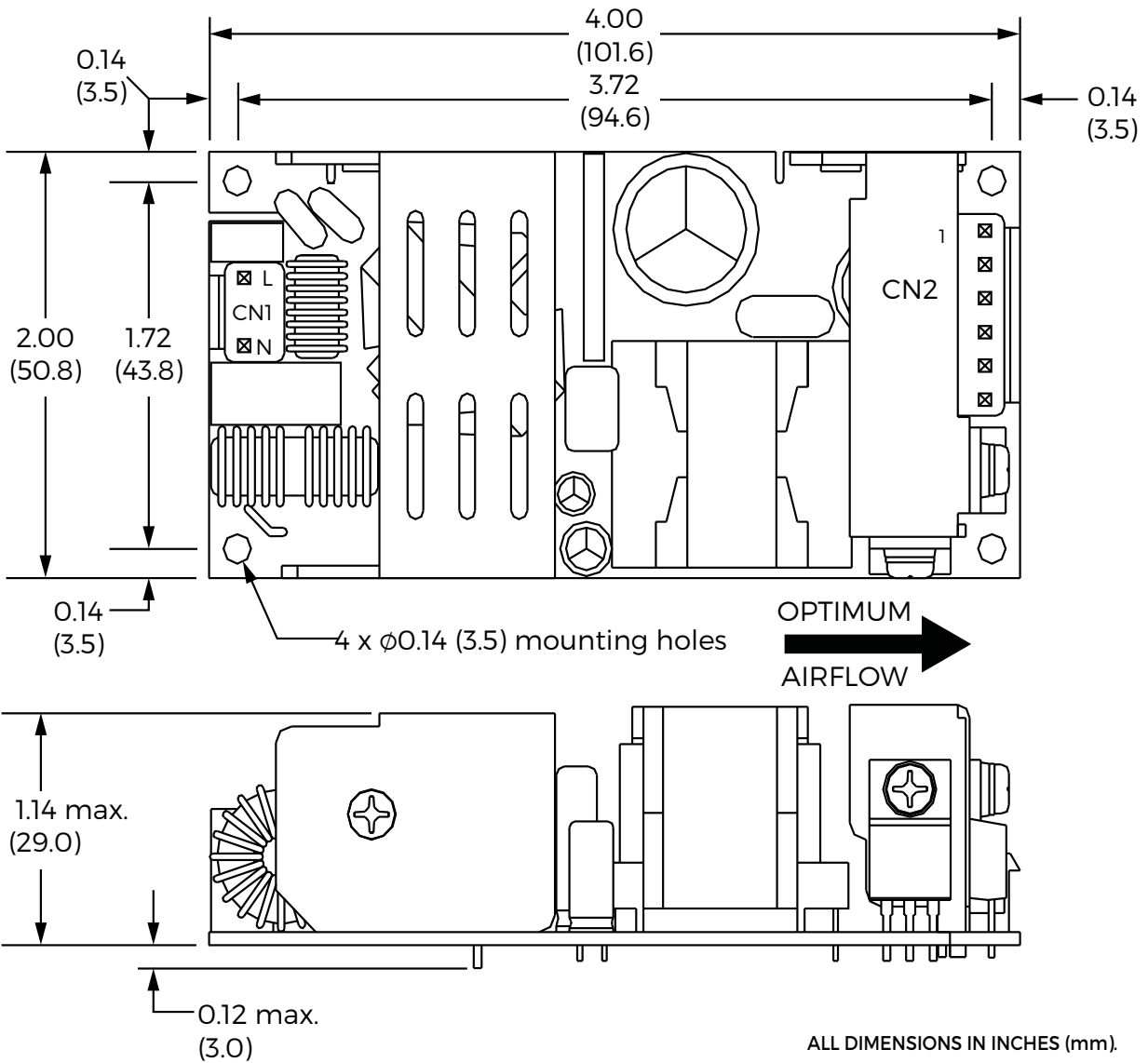
Operating Temperature.....0°C to 70°C Ambient
 Derating.....see derating charts
 Storage Temperature.....-10°C to 85°C
 Humidity.....10% to 95%, non-condensing
 Cooling.....Natural Convection or Forced

PHYSICAL SPECIFICATIONS

Format.....Open PCB or U-Channel
 Dimensions.....see outline drawings
 Weight.....see outline drawings

- NOTES:
1. No load to full load, including line regulation and load regulation.
 2. 20MHz bandwidth. Measure with 0.1µF ceramic and 10µF tantalum capacitors in parallel across the output.
 3. <4% deviation recovering to within 1% for 25% load change.

MECHANICAL SPECIFICATIONS & CONNECTION DETAILS - OPEN PCB

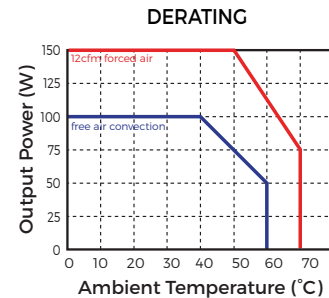


ALL DIMENSIONS IN INCHES (mm).

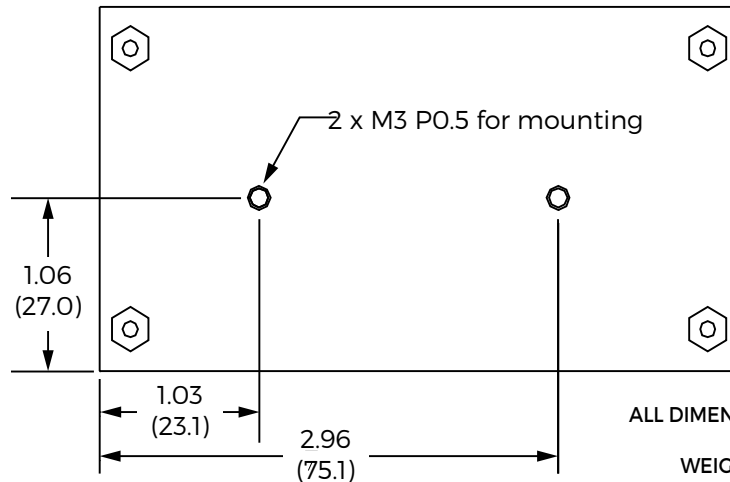
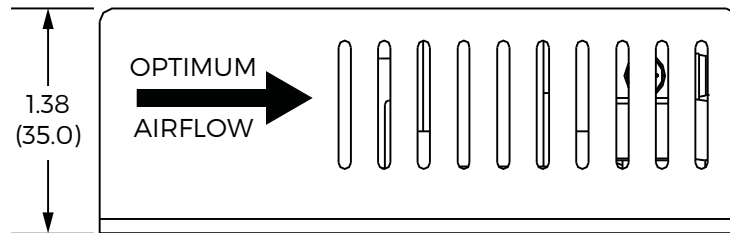
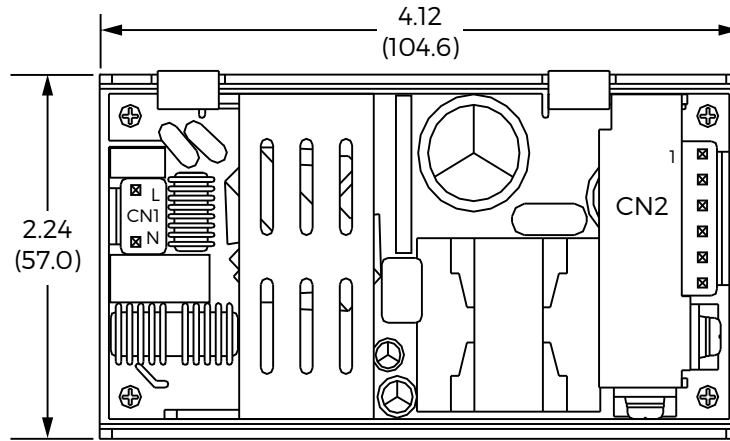
WEIGHT: 0.46lbs (0.21kg).

CONNECTOR PINOUTS		MATING CONNECTORS
CN1	L: AC LIVE N: AC NEUTRAL	JST VHR-3N or equivalent
CN2	Pin 1: Output -Ve Pin 4: Output +Ve Pin 2: Output -Ve Pin 5: Output +Ve Pin 3: Output -Ve Pin 6: Output +Ve	JST VHR-6N or equivalent

A kit containing one each housing and indicated number of pins is supplied with each unit as standard.



MECHANICAL SPECIFICATIONS & CONNECTION DETAILS - U-CANNEL



ALL DIMENSIONS IN INCHES (mm).

WEIGHT: 0.6lbs (0.28kg).

CONNECTOR PINOUTS		MATING CONNECTORS
CN1	L: AC LIVE N: AC NEUTRAL	JST VHR-3N or equivalent
CN2	Pin 1: Output -Ve Pin 4: Output +Ve Pin 2: Output -Ve Pin 5: Output +Ve Pin 3: Output -Ve Pin 6: Output +Ve	JST VHR-6N or equivalent

A kit containing one each housing and indicated number of pins is supplied with each unit as standard.

