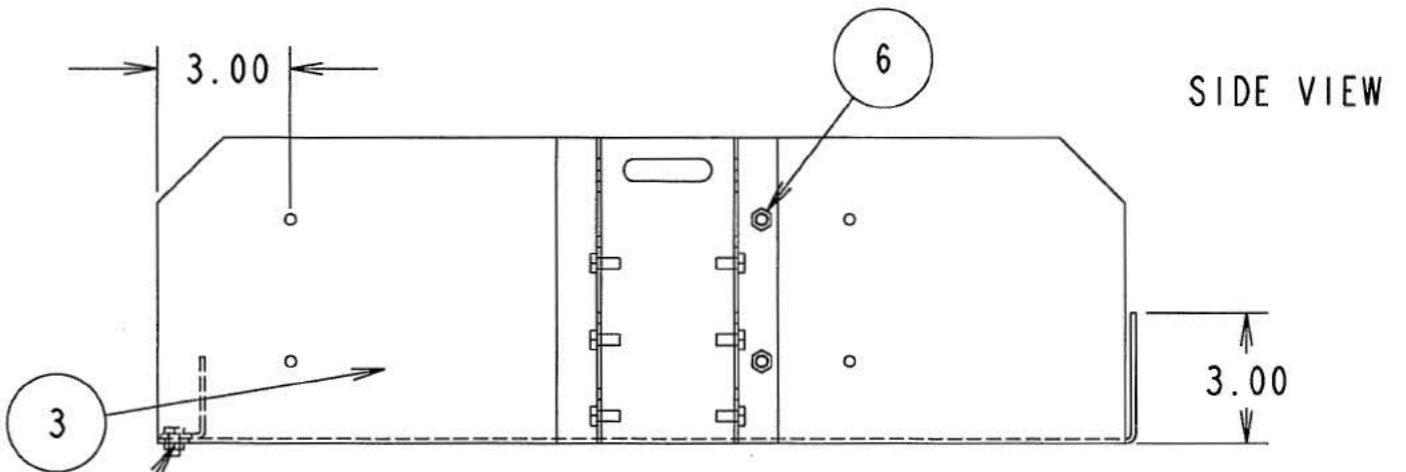
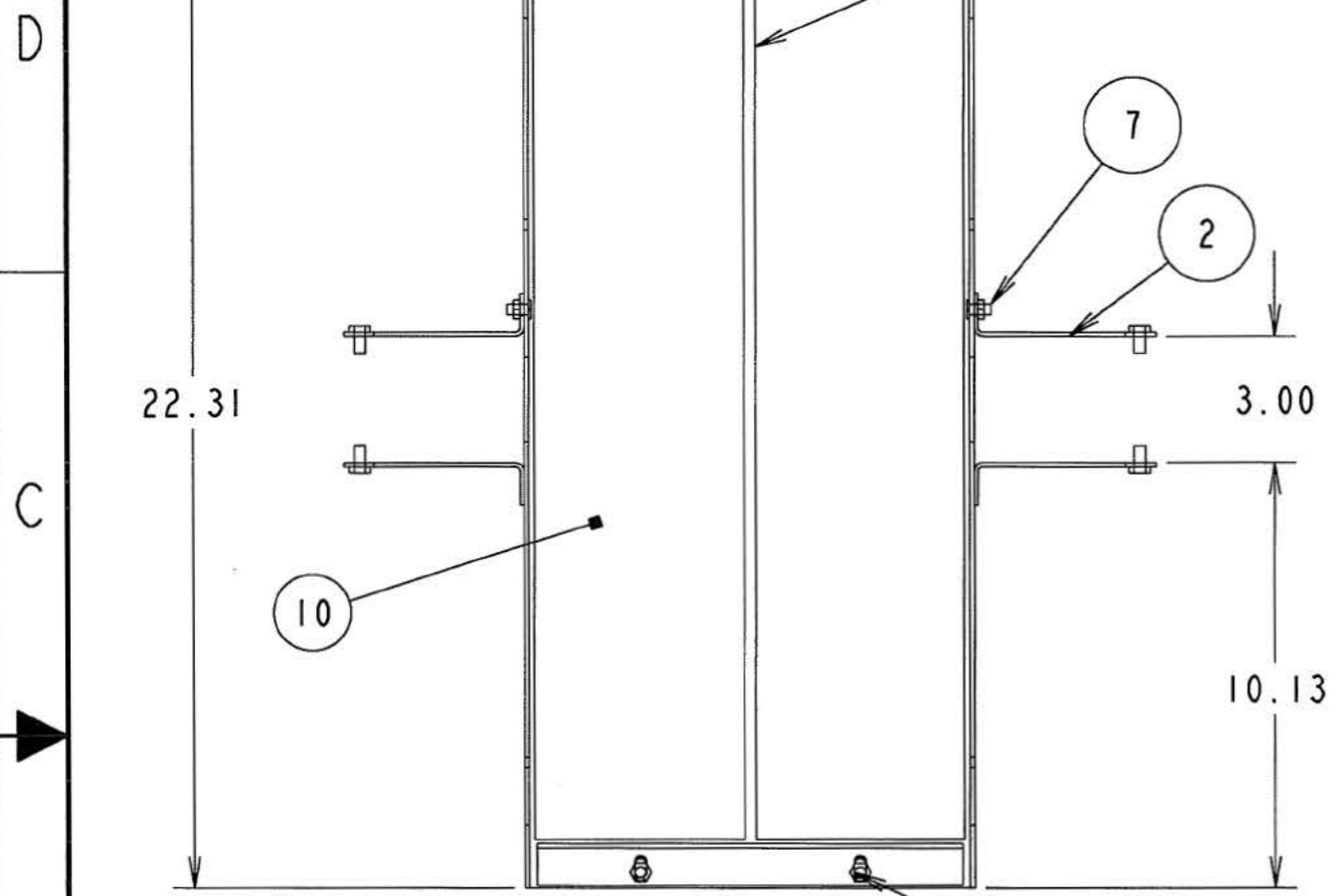


NOTICE: THIS PRINT AND THE INFORMATION SHOWN THEREON IS THE PROPERTY OF C&D TECHNOLOGIES AND IS BEING FURNISHED AS A CONFIDENTIAL DISCLOSURE. IT MAY NOT BE DELIVERED TO OTHERS NOR REPRODUCED FOR GENERAL CIRCULATION WITHOUT THE WRITTEN APPROVAL OF C&D TECHNOLOGIES

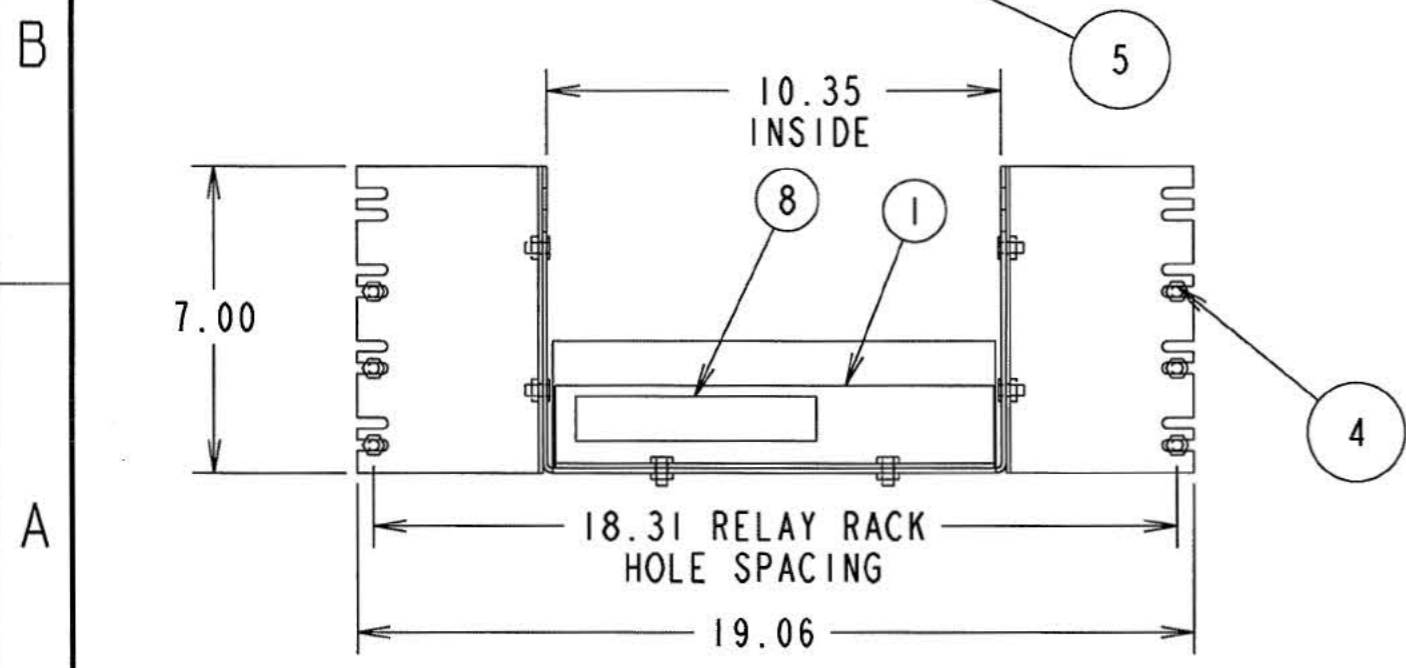
CELL OUTLINE,  
FAI2-100 & FAI2-150

REVISIONS				
ZONE	REV. LEVEL	DESCRIPTION	DATE	APPROVED
.	1	REDESIGNED TRAY FOR (2) BATTERY UNITS FROM (3) UNITS, FAI2-100/150. ECN# 8826	6-17-99	D. Heimer



TRAY ASSEMBLY PART NO. RD02341

Item	QTY	Part No.	Description
1	1	RD02342B	ANGLE, CELL RESTRAINT
2	2	RD02362	ANGLE, SUPPORT. 4.25" X 1.00" X 7.00"
3	1	RD02342	TRAY, SUB ASSEMBLY
4	12	JH01420	SCREW, #12-24 X .50 SELF TAPPING
5	2	JH01370	SCREW, 1/4-20 X .50"
6	6	JH01245	NUT, 1/4-20 HH
7	4	210-8007-00	STUD, 1/4-20 X .50" (LOOSE)
8	1	PH02941	LABEL, C&D TECHNOLOGIES, PS.
9	1	PH02869-72	HOLD DOWN STRAP (NOT SHOWN)
10	1	RA02532	LINER, RUBBER 21.00" X 10.00" X .12" THK



UNLESS OTHERWISE SPECIFIED DIMENSIONS ARE IN INCHES ± TOLERANCES ON:		DRAWN K.B. MAGAS CHECKED P. RALSTON APPROVED D. HEIMER APPROVED ISSUED	DATE 11/10/98 11/16/98 11/17/98
MATERIAL: COATING: ACID RESISTANT EPOXY POWDER.		WT. 22 LBS	
DECIMALS	ANGLES		
X .XX .XXX			

**UNIPOWER**  
POWERING TECHNOLOGY

BATTERY TRAY, 19" RELAY RACK  
(2)FAI2-100 OR FAI2-150

SIZE: B CODE IDENT. NO.: RD02341

SCALE NTS: REV. LEVEL 1 SHEET 1 OF 1