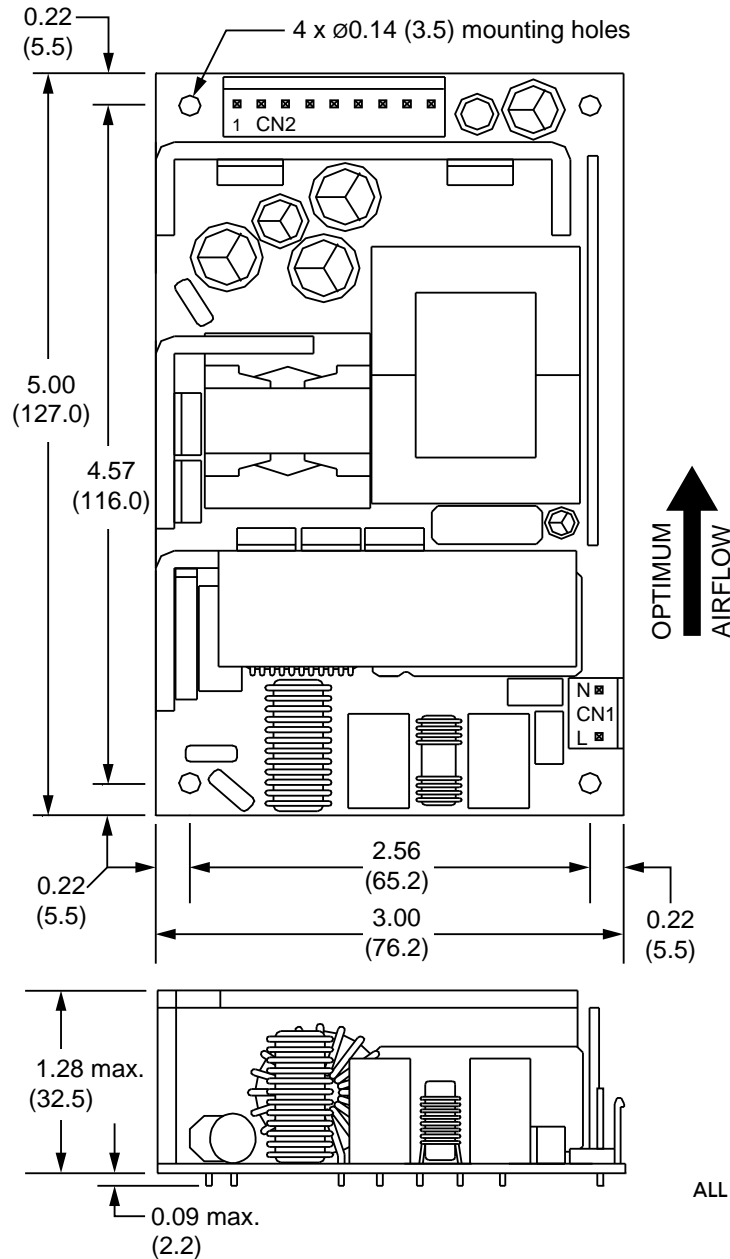
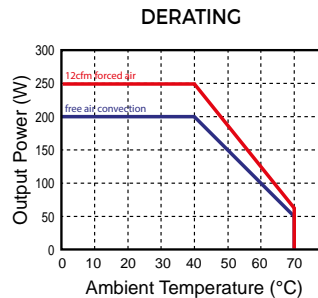


MECHANICAL SPECIFICATIONS & CONNECTION DETAILS - OPEN PCB

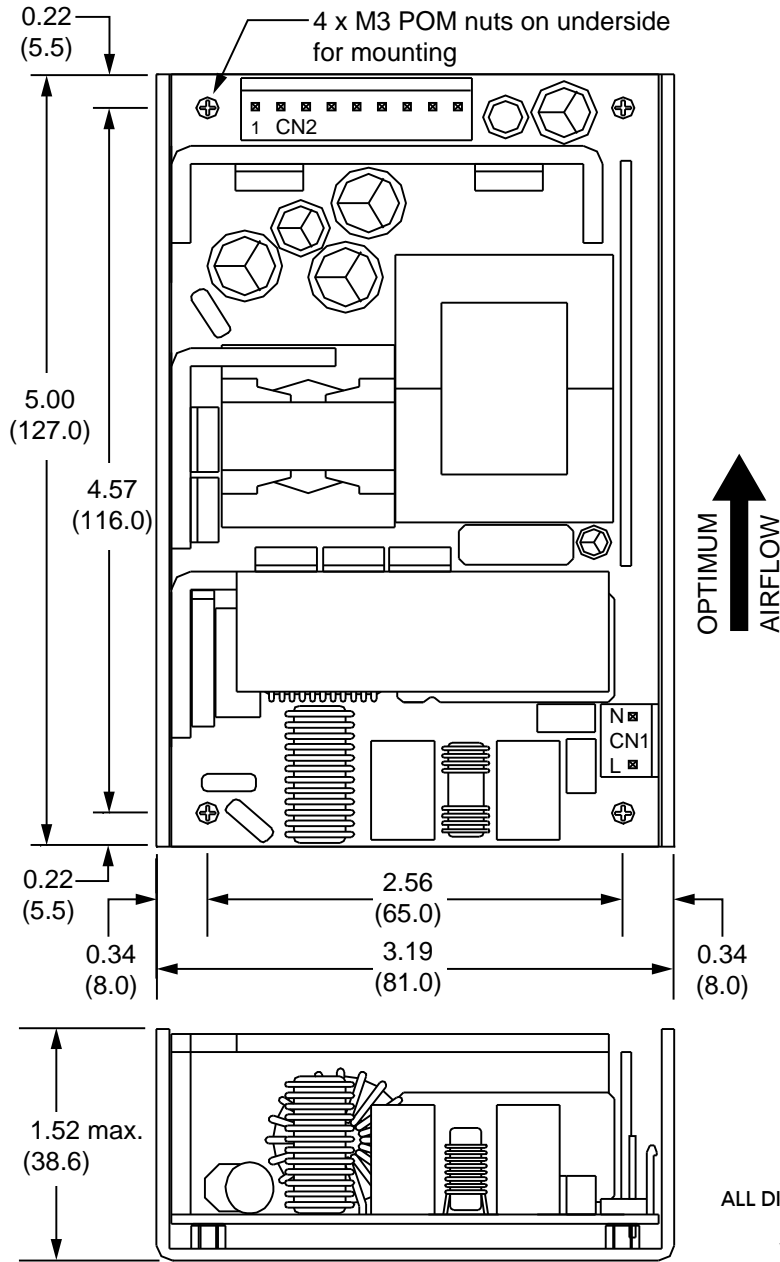


CONNECTOR PINOUTS		MATING CONNECTORS	
CN1	L: AC LIVE N: AC NEUTRAL	JST VHR-3N or equivalent	
CN2	Pin 1: Output -Ve Pin 2: Output -Ve Pin 3: Output -Ve Pin 4: Output -Ve	Pin 5: Output +Ve Pin 6: Output +Ve Pin 7: Output +Ve Pin 8: Output +Ve Pin 9: Output +Ve	JST VHR-9N or equivalent

A kit containing one each housing and indicated number of pins is supplied with each unit as standard.



MECHANICAL SPECIFICATIONS & CONNECTION DETAILS - U-CANNEL



CONNECTOR PINOUTS		MATING CONNECTORS	
CN1	L: AC LIVE N: AC NEUTRAL	JST VHR-3N or equivalent	
CN2	Pin 1: Output -Ve Pin 5: Output +Ve Pin 2: Output -Ve Pin 6: Output +Ve Pin 3: Output -Ve Pin 7: Output +Ve Pin 4: Output -Ve Pin 8: Output +Ve Pin 9: Output +Ve	JST VHR-9N or equivalent	

A kit containing one each housing and indicated number of pins is supplied with each unit as standard.

