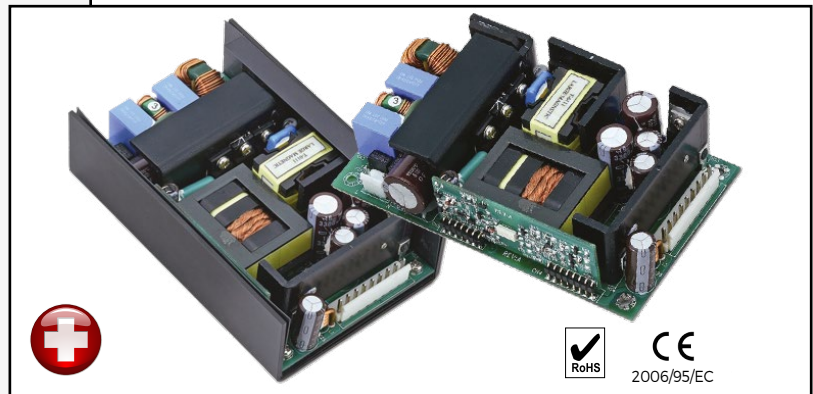


FEATURES

- ◆ 250 Watts in 3" x 5" Footprint
- ◆ Full Medical Approvals
- ◆ Open PCB & U-Channel Formats
- ◆ Outputs from 12VDC to 48VDC
- ◆ Active PFC
- ◆ Class B EMI Filter



TWO YEAR WARRANTY

SAFETY CERTIFICATIONS

UL60601-1 3rd Edition
CSA22.2, No. 60601-1 3rd Edition
EN60601-1 3rd Edition

STANDARD MODELS

Model Number ¹	Output Voltage	Output Current ²	Maximum Power	Total Regulation	Ripple & Noise (Vp-p)
RDM-250P-S12	12V	20.84A	250W	±5%	120mV
RDM-250P-S19	19V	13.16A	250W	±5%	190mV
RDM-250P-S24	24V	10.42A	250W	±5%	240mV
RDM-250P-S28	28V	8.93A	250W	±5%	280mV
RDM-250P-S30	30V	8.34A	250W	±5%	300mV
RDM-250P-S36	36V	6.95A	250W	±5%	360mV
RDM-250P-S40	40V	6.25A	250W	±5%	400mV
RDM-250P-S48	48V	5.21A	250W	±5%	480mV

NOTES:

1. For U-Channel suffix -U to the model number.
2. First figure is maximum output current with 17.1cfm forced cooling at up to 50°C.
Second figure is maximum output current with convection cooling at up to 40°C.

SPECIFICATIONS

Typical at Nominal Line, Full Load and 25°C Unless Otherwise Noted. Subject to change without notice.

INPUT SPECIFICATIONS

Input Operating Range90-264VAC
 Power Factor, full load>0.95 @ 115VAC, >0.9 @ 230VAC
 Input Frequency47-63Hz
 Input Current, RMS<4A @ 115VAC, <2A @ 230VAC
 Inrush Current, cold start @ 25°C<50A Peak @ 115VAC
 <100A Peak @ 230VAC
 Input EMI FilterEN55022 Curve B, FCC20780 pt. 15J Curve B
 Input ProtectionInternal Fuse
 Leakage Current<300µA @ 264VAC

OUTPUT SPECIFICATIONS

Total Output Power, Continuous, Max250 Watts
 Total Regulation¹see model table
 Ripple & Noise, Pk-Pk²see model table
 Holdup Time, full load @ 115VAC>10mS
 Dynamic Response³300µS
 Temperature Coefficient±0.04%/°C
 Minimum Load0A
 Overload Protection110-170% Full Load, Auto Recovery
 Overvoltage ProtectionShutdown, Latch off
 Short Circuit ProtectionAuto Recovery

GENERAL SPECIFICATIONS

Efficiency>85% typical at Full Load, 115VAC
 MTBF100,000 Hours
 EMCEN60601-1-2
 Safety StandardsUL60601-1 3rd Ed., CSA22.2 No.60601-1 3rd Ed.,
 EN60601-1 3rd Ed.

ENVIRONMENTAL SPECIFICATIONS

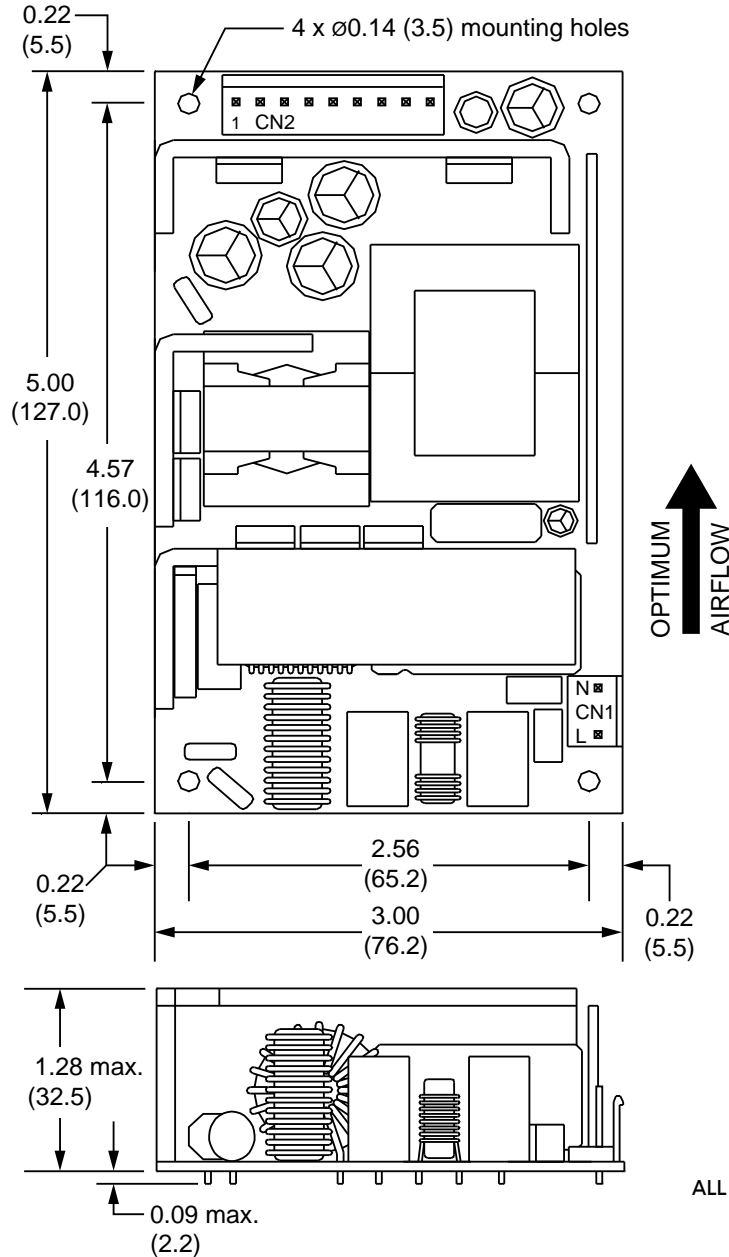
Operating Temperature-20°C to 70°C Ambient
 Deratingsee derating charts
 Storage Temperature-40°C to 85°C
 Humidity5% to 95%, non-condensing
 CoolingNatural Convection or Forced

PHYSICAL SPECIFICATIONS

FormatOpen PCB or U-Channel
 Dimensionssee outline drawings
 Weightsee outline drawings

- NOTES:
1. No load to full load, including line regulation and load regulation.
 2. 20MHz bandwidth. Measure with 0.1µF ceramic and 10µF tantalum capacitors in parallel across the output.
 3. <4% deviation recovering to within 1% for 25% load change.

MECHANICAL SPECIFICATIONS & CONNECTION DETAILS - OPEN PCB

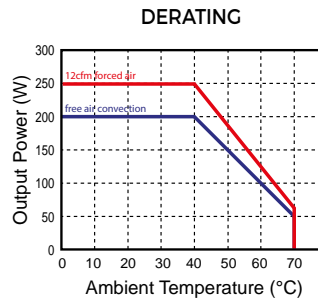


ALL DIMENSIONS IN INCHES (mm).

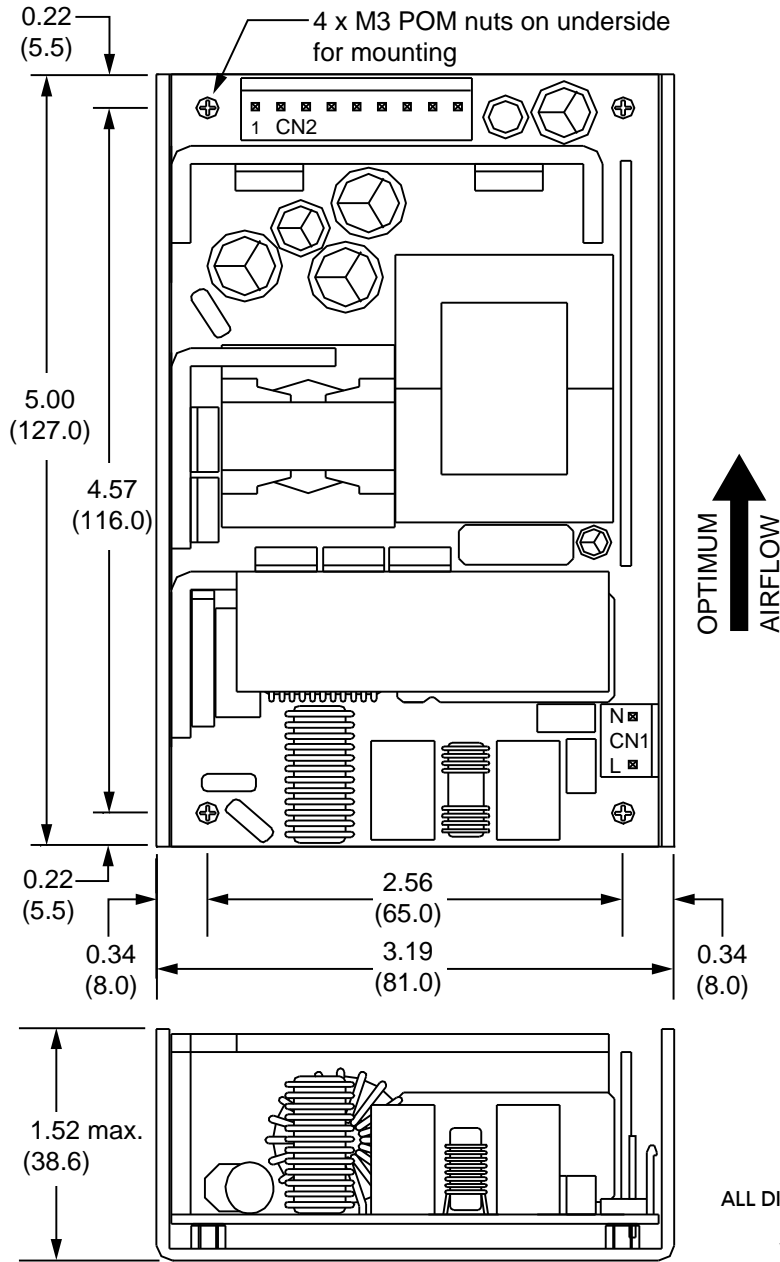
WEIGHT: 0.88lbs (0.4kg).

CONNECTOR PINOUTS		MATING CONNECTORS	
CN1	L: AC LIVE N: AC NEUTRAL	JST VHR-3N or equivalent	
CN2	Pin 1: Output -Ve Pin 5: Output +Ve Pin 2: Output -Ve Pin 6: Output +Ve Pin 3: Output -Ve Pin 7: Output +Ve Pin 4: Output -Ve Pin 8: Output +Ve Pin 9: Output +Ve	JST VHR-9N or equivalent	

A kit containing one each housing and indicated number of pins is supplied with each unit as standard.



MECHANICAL SPECIFICATIONS & CONNECTION DETAILS - U-CANNEL



CONNECTOR PINOUTS		MATING CONNECTORS	
CN1	L: AC LIVE N: AC NEUTRAL	JST VHR-3N or equivalent	
CN2	Pin 1: Output -Ve Pin 5: Output +Ve	JST VHR-9N or equivalent	
	Pin 2: Output -Ve Pin 6: Output +Ve		
	Pin 3: Output -Ve Pin 7: Output +Ve		
	Pin 4: Output -Ve Pin 8: Output +Ve		
	Pin 9: Output +Ve		

A kit containing one each housing and indicated number of pins is supplied with each unit as standard.

