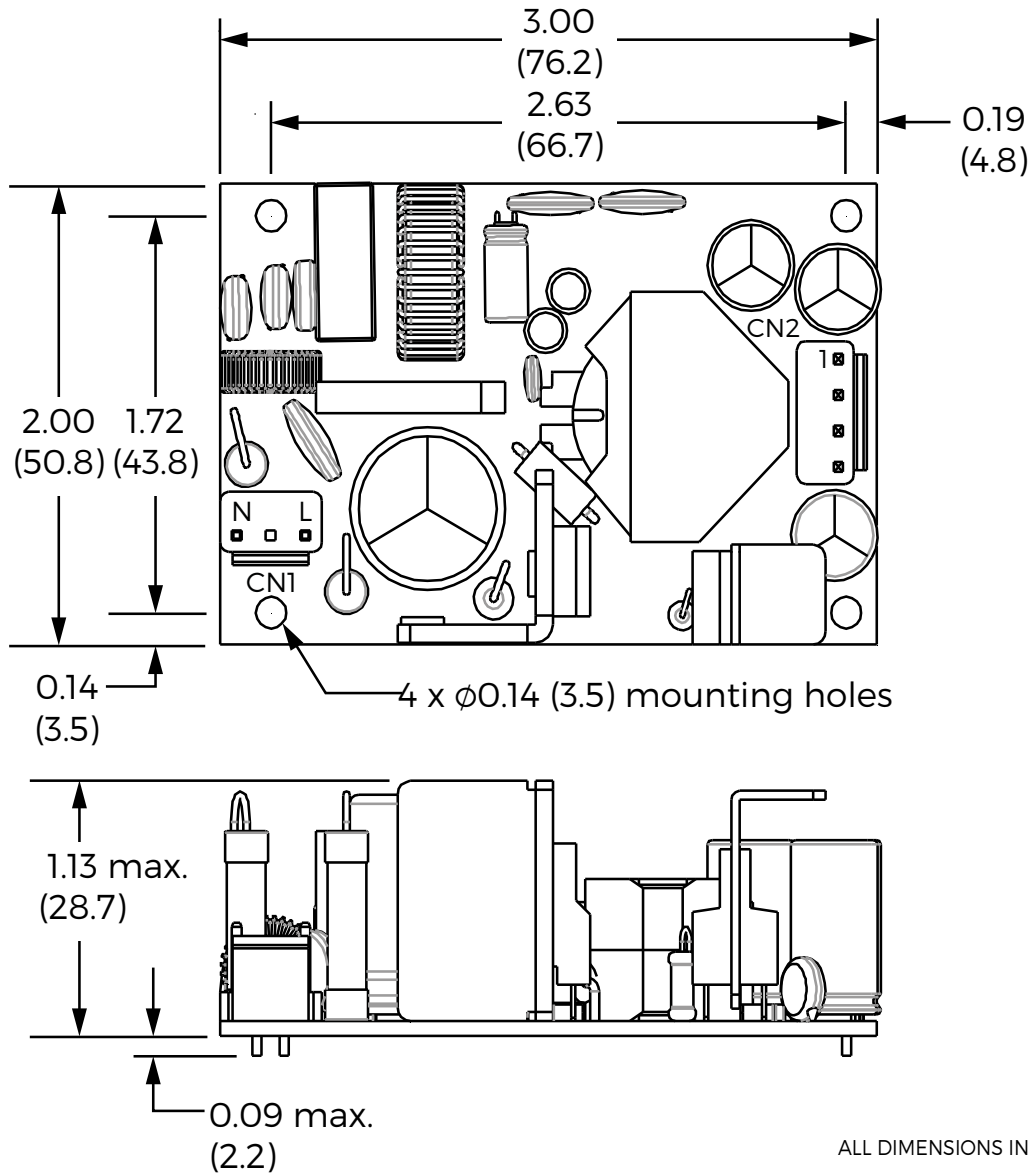


MECHANICAL SPECIFICATIONS & CONNECTION DETAILS



CONNECTOR PINOUTS		MATING CONNECTORS
CN1	L: AC LIVE N: AC NEUTRAL	JST VHR-3N or equivalent
CN2	Pin 1: Output -Ve Pin 3: Output +Ve Pin 2: Output -Ve Pin 4: Output +Ve	JST VHR-4N or equivalent

A kit containing one each housing and indicated number of pins is supplied with each unit as standard.