

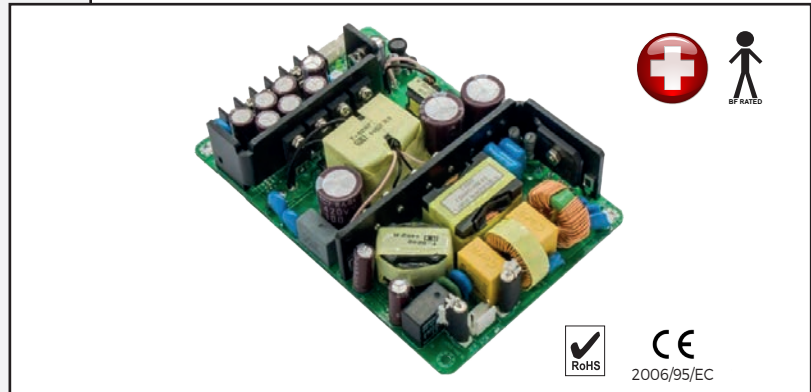
FEATURES

- ◆ 360 Watts in 4" x 6" Footprint
- ◆ Full Medical & ITE Approvals
- ◆ Medical Body Floating (BF) rated, MOPP Type
- ◆ Operating Altitude: ITE up to 5000m, Medical up to 3000m
- ◆ Power ON LED indicators

TWO YEAR WARRANTY

SAFETY CERTIFICATIONS

UL60601-1 3rd Edition
 UL60950-1 2nd Edition
 CSA22.2, No. 60601-1 3rd Edition
 CSA22.2, No. 60950-1 2nd Edition
 EN60601-1 3rd Edition
 EN60950-1 2nd Edition



STANDARD MODELS

Model Number ^{1,2}	Output Voltage	Output Regulation	Output Current ³	Output Power ³	Output Current ³	Output Power ³
RJ-360P-S12-x	12V	±3%	30.00A	360W	20.84A	250W
RJ-360P-S24-x	24V	±3%	15.00A	360W	10.42A	250W
RJ-360P-S28-x	28V	±2%	12.86A	360W	8.93A	250W
RJ-360P-S48-x	48V	±2%	7.50A	360W	5.21A	250W
RJ-360P-S54-x	54V	±2%	6.67A	360W	4.63A	250W

NOTES:

1. Output connector options: x=T (Terminal block type, pitch 8.25mm); Suitable for all voltages. x=C (Connector type, pitch=3.96mm); Suitable for 24V up.
2. All models are equipped with 5V/0.3A standby & 12V/0.3A fan outputs.
3. All models have total power 250W Max. convection or 360W Max. with 20CFM forced air cooling.

SPECIFICATIONS

Typical at Nominal Line, Full Load and 25°C Unless Otherwise Noted. Subject to change without notice.

INPUT SPECIFICATIONS

Operating Range90-264VAC
 Frequency.....47-63Hz
 Current, RMS.....<5A @115VAC, <2.5A @ 230VAC
 Inrush Current, cold start @ 25°C<40A Peak @ 115VAC
<80A Peak @ 230VAC
 EMI Filter.....EN55022 Curve B, FCC20780 pt. 15J Curve B
 Power Factor @ full load.....>0.95 @ 115VAC
> 0.90 @ 230VAC
 Protection.....Internal Fuse
 Leakage Current.....<100µA @ 264VAC

OUTPUT SPECIFICATIONS

Total Output Power, Continuous, Max see model table
 Total Regulation¹..... see model table
 Ripple & Noise, Pk-Pk²
 12V, 24V & 28V.....1%
 48V & 54V300mV
 Holdup Time, full load @ 115VAC.....>10mS
 Minimum Load.....0A
 Overload Protection⁴.....105-150% Full Load, Auto Recovery
 Overvoltage Protection.....Shutdown, Latch off
 Short Circuit Protection.....Auto Recovery
 5Vsb.....meets ErP 0.5W @ No load

GENERAL SPECIFICATIONS

Efficiency.....>90% typical at Full Load, 230VAC
 MTBF per Telcordia (Bellcore TR-332)250,000 Hrs @ FL, 25°C ambient
 EMC Standards.....EN60601-1-2, EN55024, EN55011 classB
 EN55032 class B, FCC Pt. 15 Class B, FCC Pt. 18 Class B
 Safety Standards
 MedicalUL60601-1 3rd Ed., CSA22.2 No.60601-1 3rd Ed.,
 EN60601-1 3rd Ed.
 ITEUL60950-1 2nd Ed., CSA22.2 No.60950-1 2nd Ed.,
 EN60650-1 2nd Ed.

ENVIRONMENTAL SPECIFICATIONS

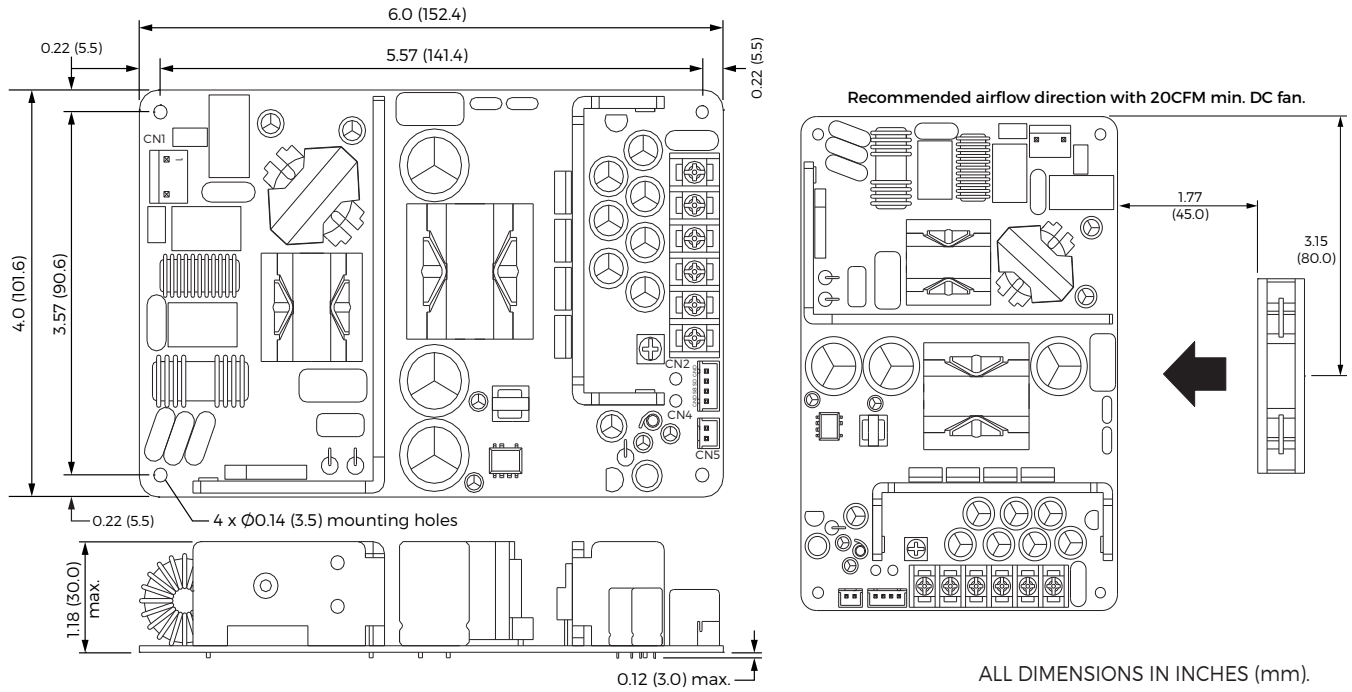
Operating Temperature.....-20°C to 70°C Ambient
 Derating.....see derating curve
 Storage Temperature.....-20°C to 85°C
 Humidity.....0% to 90%, non-condensing

PHYSICAL SPECIFICATIONS

Format.....Open PCB
 Dimensions, inches (mm).....6 L x 4 W x 1.18 H
 (152.4 x 101.6 x 30.0)
 Weight.....1.06lbs (0.48kg)

- NOTES: 1. No load to full load, including line regulation and load regulation.
 2. 20MHz bandwidth. Measured with 0.1µF ceramic and 10µF electrolytic capacitors in parallel across the output.

MECHANICAL SPECIFICATIONS & CONNECTION DETAILS



CN1: Input Connector

Pin #	Function
1	AC Neutral
2	AC Live

JST B3P-VH-B pitch: 3.96mm or equivalent, mates with JST VHR-3N or equivalent.

CN2: Output Connector - (T) Option

Pin #	Function
1, 2, 3	GND
4, 5, 6	Output +Ve

6-Pole Terminal block pitch: 8.25mm or equivalent, rated 20A/300V.

CN4: Remote Sense Connector

Pin #	Function
1	GND
2	+5V Standby
3	SD (inhibit)
4	GND

JST B6B-XH-A pitch: 2.5mm or equivalent, mates with JST XHP-4 or equivalent.

CN2: Output Connector - (C) Option

Pin #	Function
1, 2, 3, 4, 5	GND
6, 7, 8, 9, 10	Output +Ve

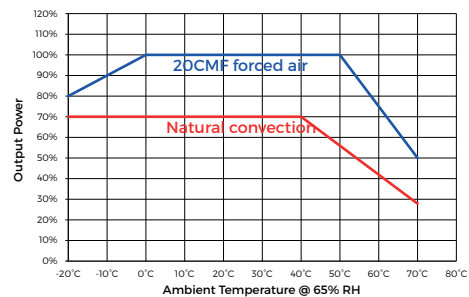
JST B10P-VH-B pitch: 3.96mm or equivalent, mates with JST VHR-10N or equivalent.

CN5: Input Connector

Pin #	Function
1	+12V
2	GND

JST B2B-XH-A pitch: 2.5mm or equivalent, mates with JST XHP-2 or equivalent.

Output Power Derating Curve



Convection cooling: Derate linearly 2.5% per °C from +41°C to +70°C.
 20CFM forced air cooling: Derate linearly 2.5% per °C from +51 to +70°C.
 20CFM forced air cooling: Derate linearly 1.0% per °C from 0 to -20°C.