

**DESCRIPTION**

UNIPOWER's 3783 Series TPS Fuse Panel provides a compact power distribution solution with high-capacity, current-interrupting fuses.

The 3783 Series TPS Fuse Panel has an input voltage requirement of +24V or -48V, accepts up to 20 fuses and has a maximum capacity of 600 amps. Each fuse holder requires one (1) main and one (1) alarm fuse (a 0.5 amp GMT fuse is recommended as the alarm fuse). A fuse alarm signal is available for extension to a separate alarm system.

The TPS Fuse Panel can be supplied with our without a 600A / 50mV shunt.

**FEATURES**

- ◆ 4RU High: 6.97"
- ◆ 23-Inch Rack Mounting
- ◆ Current Capacity: 600A
- ◆ Operating Voltage: +24 or -48VDC
- ◆ 20 x TPS Fuses - 3A to 70A
- ◆ LED Alarm Indicator
- ◆ Form C Relay Contacts
- ◆ Spare Fuses May Be Stored In Each Fuse Block Handle

**THREE YEAR WARRANTY**



**AVAILABLE CONFIGURATIONS**

VOLTAGE	SHUNT	FUSE ALARM	FUSE HOLDERS	PART NUMBER
+24VDC or -48VDC	none	Yes	20	111-3783-00
	600A		20	111-3783-10

Note: See alarm board wiring detail to select desired voltage

**AVAILABLE TPS FUSES**

PART NUMBER	AMPS	PART NUMBER	AMPS
280.1413.00	3	280.1428.00	25
280.1414.00	5	280.1431.00	30
280.1416.00	6	280.1433.00	40
280.1419.00	10	280.1436.00	50
280.1422.00	15	280.1439.00	60
280.1425.00	20	280.1442.00	70

**ALARM FUSE**

PART NUMBER	AMPS
280.0700.00	0.5A GMT

NOTE: All fuses must be ordered individually.

## SPECIFICATIONS

Typical at 25°C Unless Otherwise Noted.

### INPUT / OUTPUT

Fuse Rating.....	3A to 70A
Panel Capacity.....	600A
Fuse Configuration.....	20 TPS Fuses
Alarm Fuses.....	GMT (recommended 0.5A)
Voltage	
-48V Nominal.....	42-60VDC
+24V Nominal.....	21-30VDC

### ALARMS

Alarm Indicator.....	Red LED
LED Status.....	.OFF = Normal ON = Alarm
Alarm Connections.....	Form C Relay Contact

### ENVIRONMENTAL

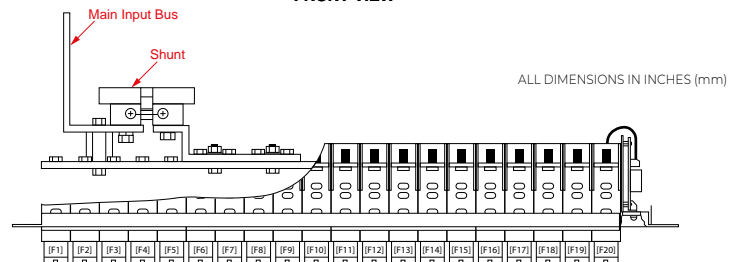
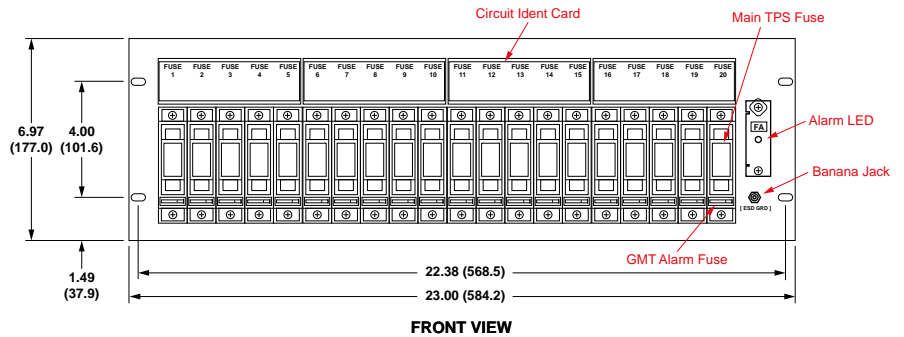
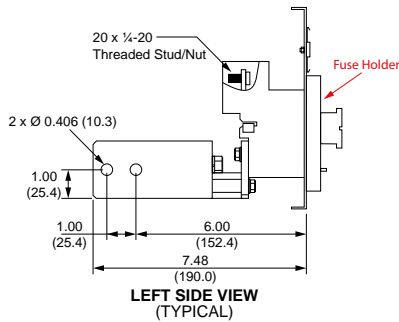
Operating Temp. Range.....	-10°C to +70°C
Storage Temp. Range.....	-40°C to + 85°C
Humidity.....	0% to 95%, Non-Condensing

### PHYSICAL SPECIFICATIONS

Panel Material.....	Steel
Finish.....	Powder Coat Gray
Dimensions, Inches (mm).....	6.97 H x 23.00 W x 7.48 D (177.0 x 584.2 x 190.0)
Weight.....	16.0 lbs. (7.3 kg.)
Rack Mounting Width.....	23 Inches

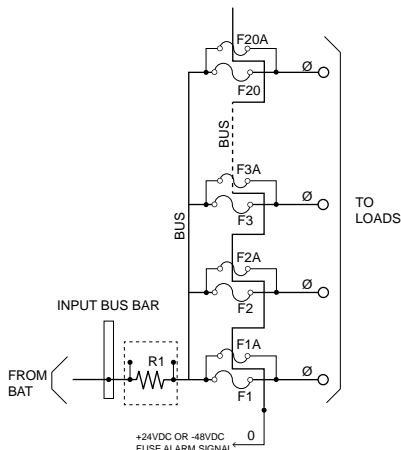
### CONNECTIONS

Input Connections.....	Accepts 2-hole lug (3/8" Hdw, 1" C-to-C)
Output Connections.....	1/4 - 20 Threaded Studs/Nuts
Chassis Ground Connection (ESD).....	Banana Plug
Alarm Connections.....	Compression/Screw Terminals



ALL DIMENSIONS IN INCHES (mm)

### SCHEMATIC



### ALARM BOARD WIRING DETAIL

